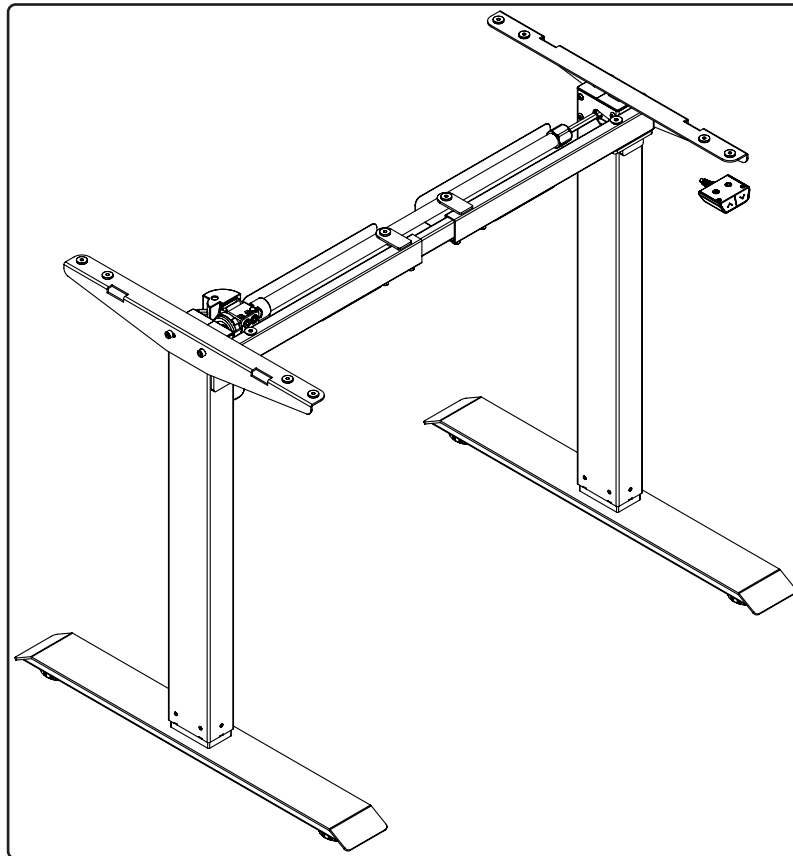




---

## Dellonda Single Motor Height Adjustable Sit & Stand White Workstation Desk Frame



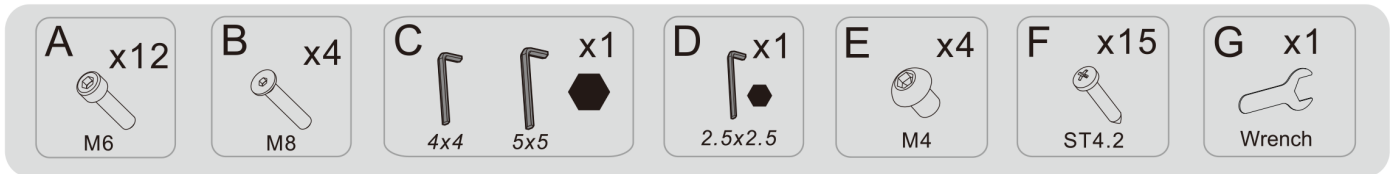
### Model No. DH64




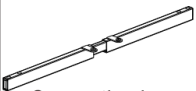

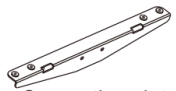
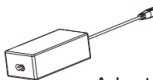
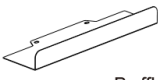




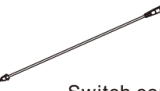
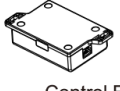
Thank you for purchasing a Dellonda product. Manufactured to a high standard, this product will, if used according to these instructions, and properly maintained, give you years of trouble free performance.

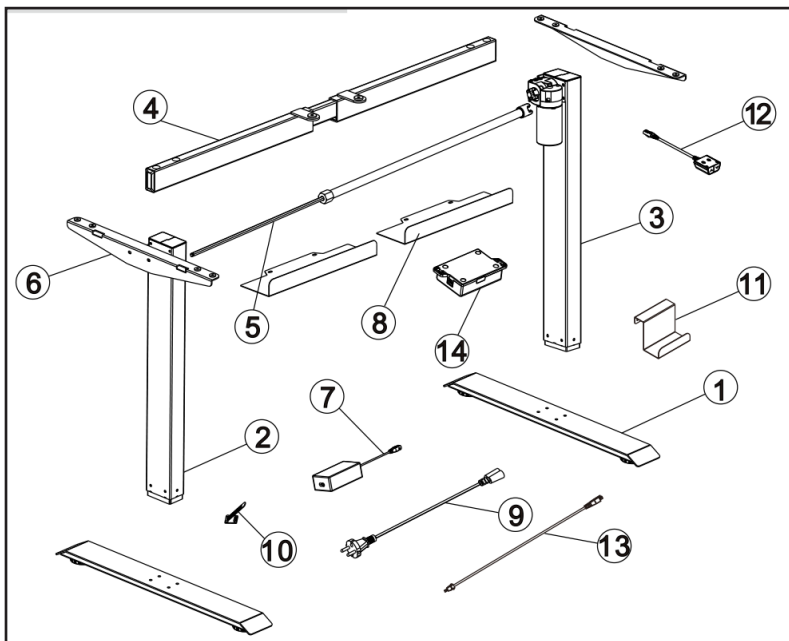
## Important Information

Please read these instructions carefully and note any safe operational requirements, warnings & cautions. Use the product correctly and with care for the purpose for which it is intended. Failure to do so may cause damage and/or personal injury and will invalidate the warranty. Keep these instructions safe for future use.

## Contents



No.	Part	Qty	No.	Part	Qty	No.	Part	Qty
①	 Pedestal	2	②	 Left Column	1	③	 Right Column	1
④	 Supporting beam	1	⑤	 Transmission rod	1	⑥	 Supporting plate	2
⑦	 Adapter	1	⑧	 Baffle	2	⑨	 Power cable	1
⑩	 Cable tie	4	⑪	 Adaptor holder	1	⑫	 Handset	1
⑬	 Switch cord	1	⑭	 Control Box	1			



## Specification

- Height range: 710-1210mm
- Horizontal adjustment: 850-1290mm
- Speed: 25mm/s
- Max. load capacity: 70kg
- Sound level: 50dB
- Supply: 230V
- Minimum Desktop Dimensions (W x D): 900 x 500mm
- Maximum Desktop Dimensions (W x D): 1400 x 700mm

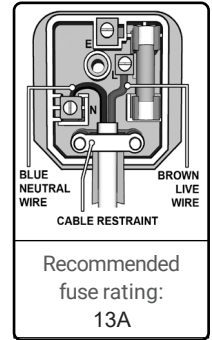
## About the Product

Height-adjustable desk frame creates the possibility of a sitting or standing working environment. Single motor system ensures a fast and stable adjustment. Features ultra-quiet operation with sound level less than 50dB. Range of four desktop designs available; Model No's. DH19, DH20, DH21, DH22.

## Safety Instructions

### • ELECTRICAL SAFETY

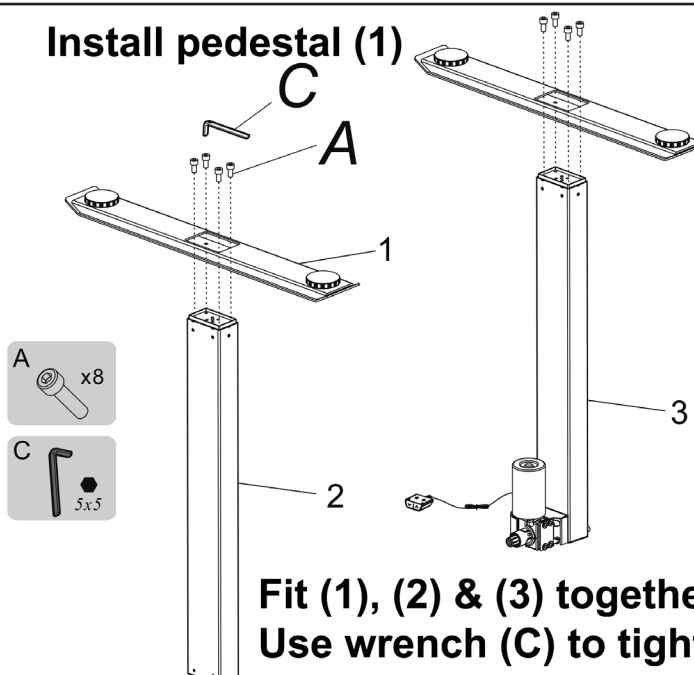
- **WARNING!** It is the user's responsibility to check the following:
- Check all electrical equipment and appliances to ensure that they are safe before using. Inspect power supply leads, plugs and all electrical connections for wear and damage. Dellonda recommend that an **RCD** (Residual Current Device) is used with all electrical products. You may obtain an **RCD** by contacting your electrical retailer.
- connections to ensure that they are secure.
- **Important:** Ensure that the voltage rating on the appliance suits the power supply to be used and that the plug is fitted with the correct fuse - see fuse rating in these instructions.
- **DO NOT** pull or carry the appliance by the power cable.
- **DO NOT** pull the plug from the socket by the cable.
- **DO NOT** use worn or damaged cables, plugs or connectors.
- Ensure that any faulty item is repaired or replaced immediately by a qualified electrician.
- This product is fitted with a **BS1363/A** 13 Amp 3 pin plug.
- If the cable or plug is damaged during use, switch off the electricity supply and remove from use.
- Replace a damaged plug with a **BS1363/A** 13 Amp 3 pin plug. If in doubt contact a qualified electrician.
- Class **II** products are wired with live (brown) and neutral (blue) only, and are marked with the Class II symbol.
  - A) Connect the **BROWN** live wire to the live terminal 'L'.
  - B) Connect the **BLUE** neutral wire to the neutral terminal 'N'.
  - C) Check that there are no bare wires and ensure that all wires are correctly connected.
- Ensure that the cable outer sheath extends inside the cable restraint and that the restraint is tight.
- **DO NOT** connect either wire to the earth terminal.
- Dellonda recommend that repairs are carried out by a qualified electrician.
- **ALWAYS** make sure there are no hazards in the operating environment. e.g., nothing that will get hooked up on the desk, or stop the desk from raising or lowering fully.
- Unplug the power source before cleaning. Wipe the dust on surface with slight damp cloth when cleaning, **DO NOT** get water in the electrical housing, and be careful not to loosen any cables.
- The electrical housing contains electronic components, metals, plastics, wires etc., dispose of in accordance with environmental legislation, not the general household waste.
- Check carefully to ensure correct and complete assembly before use.
- Familiarise yourself with all functions and program settings of the product before first use.
- **DO NOT** let Children play on the product
- Slight noise caused by the V-ribbed belt or brake system due to structure will not have any effect on the use of the equipment.
- **DO NOT** clean the unit with corrosive or abrasive materials.
- This appliance can be used by children aged from 8 years and above and persons with reduced physical, sensory or mental capabilities or lack of experience and knowledge if they have been given supervision or instruction concerning use of the appliance in a safe way and understand the hazards involved. Children shall not play with the appliance.
- If the supply cord is damaged, it must be replaced by the manufacturer, it's service agent or a similarly qualified person in order to avoid a hazard and prolong the life of the equipment.
- Keep the original instructions, for future reference.
- **ALWAYS** inspect the unit prior to use for fatigue and damage. Professional repair only.



## Assembly

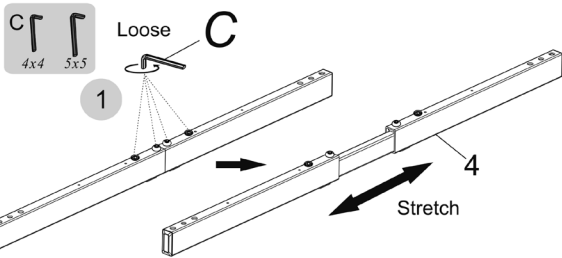
### Step 1

### Install pedestal (1)

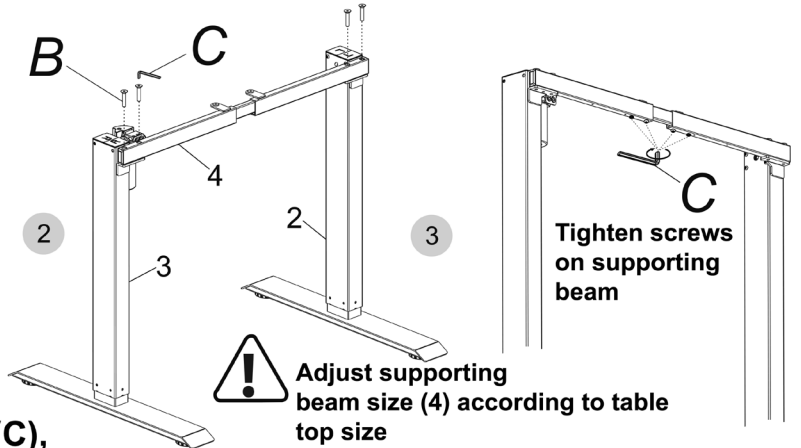


**Step 2**

**B** x4 **Install supporting beam (4)**

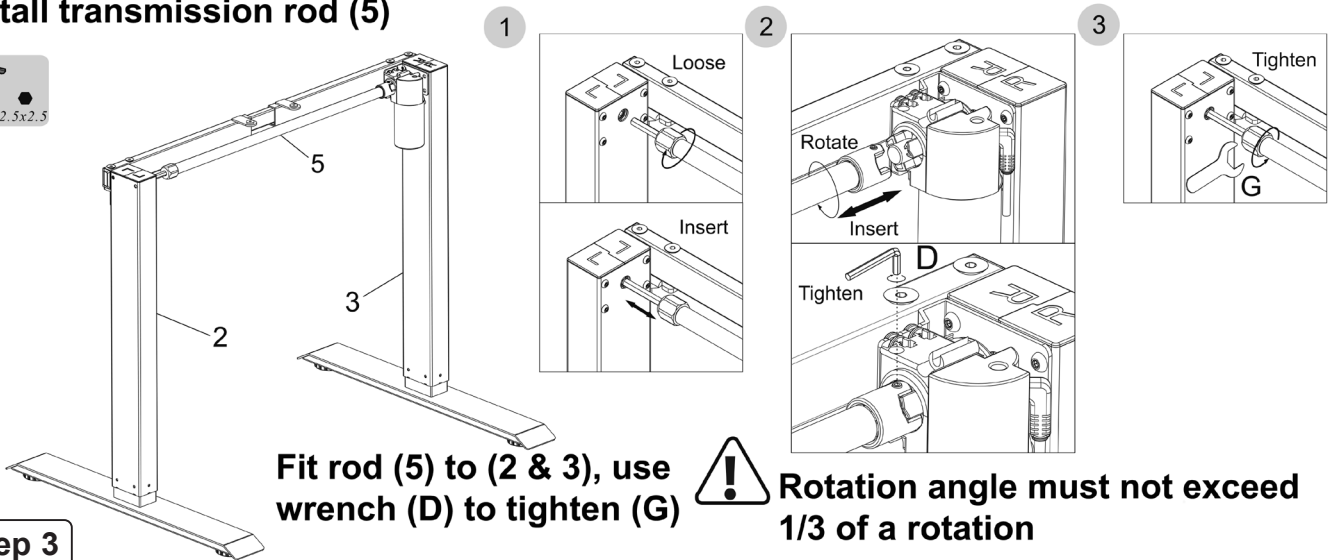


Loosen screws on (4) with wrench (C), then stretch supporting beam



Install supporting beam on columns (2 & 3), tighten screw (B) with wrench (C)

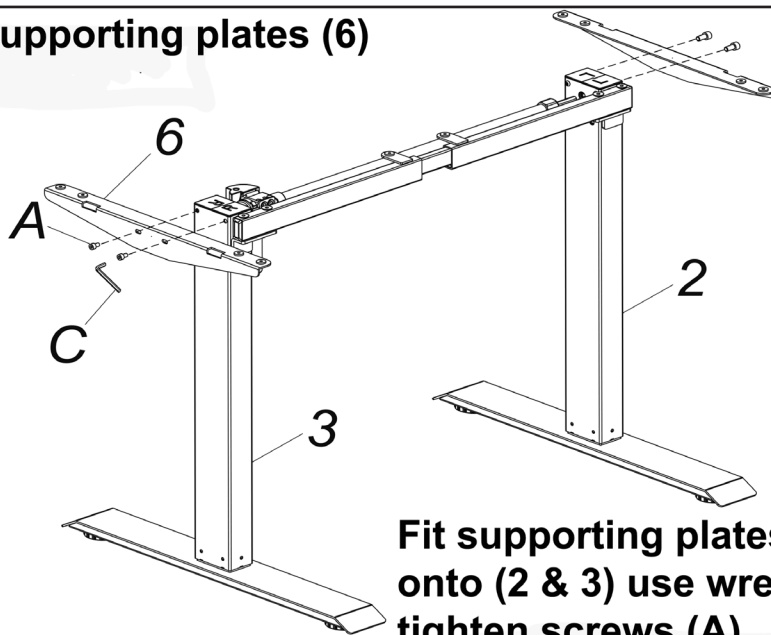
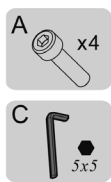
**Install transmission rod (5)**



Fit rod (5) to (2 & 3), use wrench (D) to tighten (G) **!** Rotation angle must not exceed 1/3 of a rotation

**Step 3**

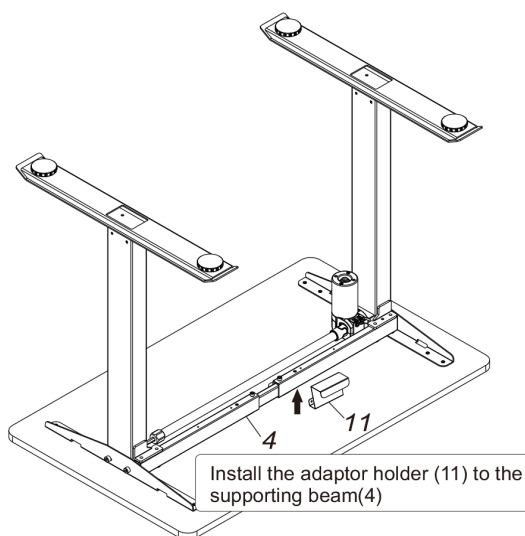
**Step 4 Install supporting plates (6)**



Fit supporting plates (6) onto (2 & 3) use wrench (C) to tighten screws (A)

### Step 5

Install the power adaptor

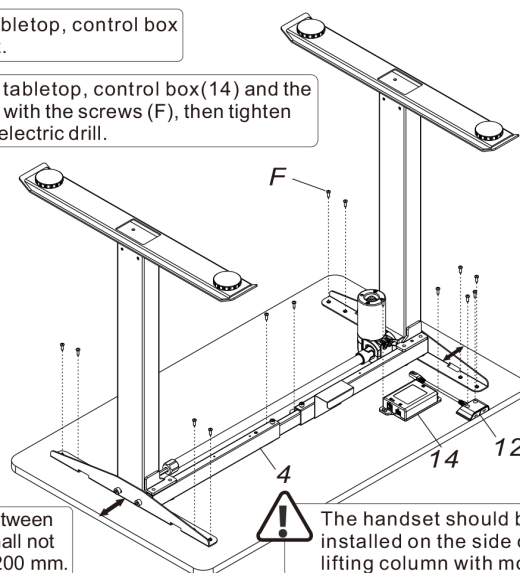


Install the tabletop, control box and handset.

Connect the tabletop, control box(14) and the handset(12) with the screws (F), then tighten it with pistol electric drill.

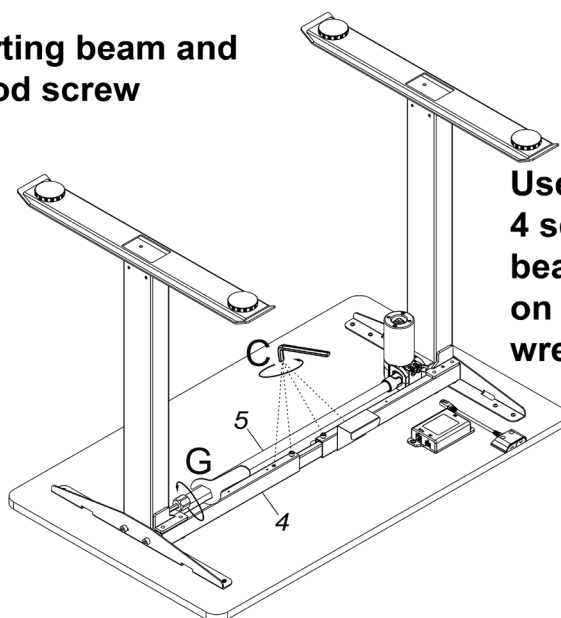


Not included



### Tighten supporting beam and transmission rod screw

### Step 6-1

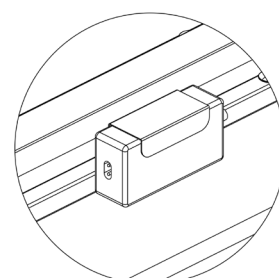
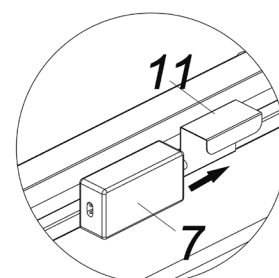
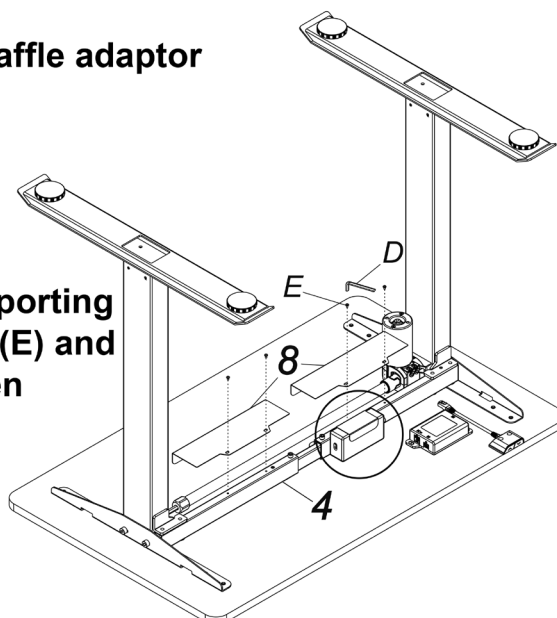


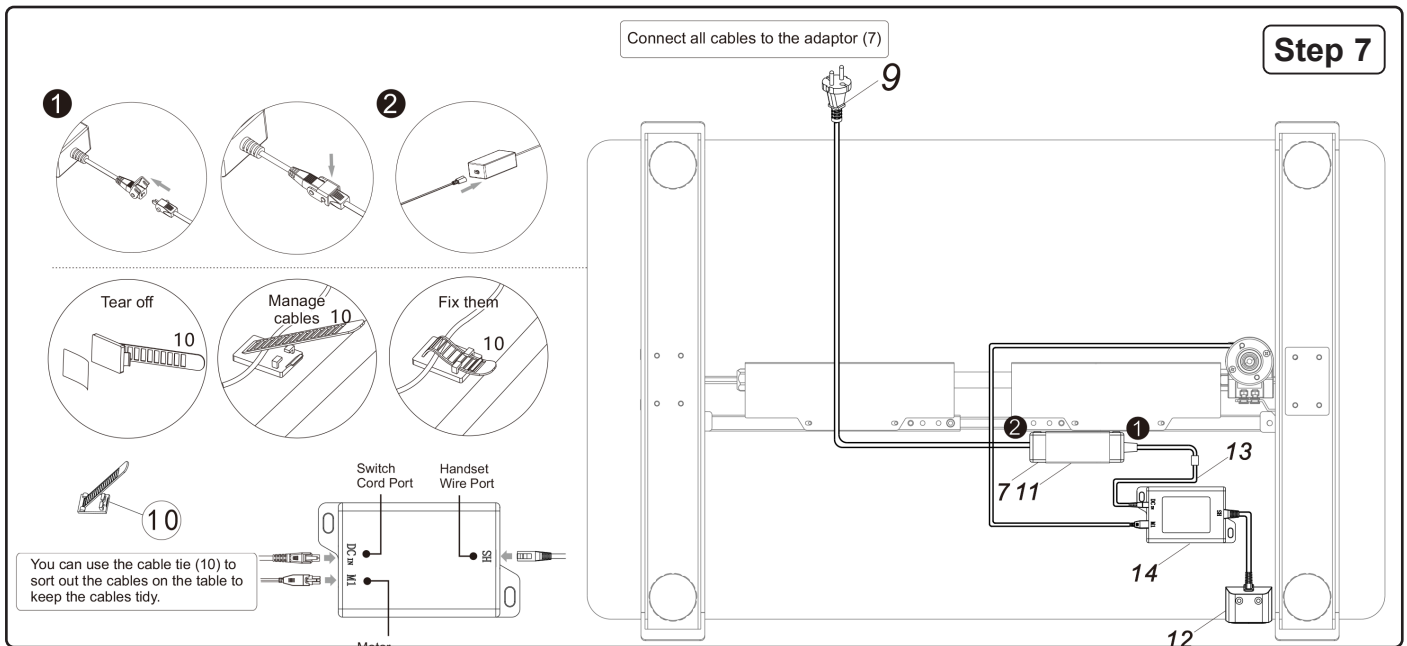
### Install power and baffle adaptor

### Step 6-2



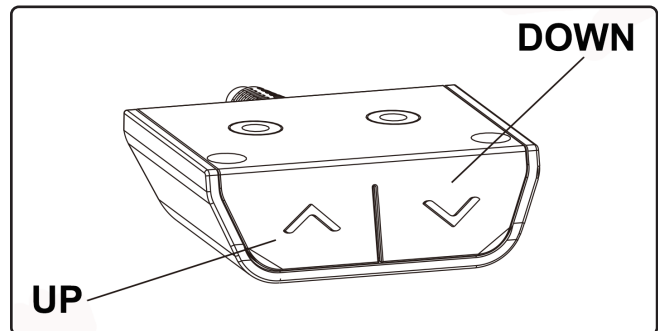
Install baffle (8) to supporting beam (4) using screws (E) and then tighten it with allen key (D).





## Operation

- Press **UP** or **DOWN** button to raise or lower height of the desk.
- **RESET**
- To reset the desk height to its default position whilst at its lowest position, press and hold the down button for 5 seconds. The unit will rebound to its default position.
- **LIFTING / LOWERING**
- To adjust the height of the desk use the up and down arrows.
- If the buttons are held for more than 1.2 seconds automatic mode will be engaged. Press either button to stop the movement.



## Troubleshooting

Fault	Solution
No response whilst pressing the up/down button after mains supply is connected	1. Check if mains supply is connected 2. Contact Dellonda
Desktop will not respond	1. Check if it is overloaded (70kg max.) 2. Contact Dellonda
Overworked (Duty cycle: max. 2 min. on 30 mins off)	1. Leave to rest for 30 mins. 2. Contact Dellonda



## Environment Protection, Waste Electrical and Waste Electronic Equipment Regulations (WEEE)



Recycle unwanted packaging materials. When this product is no longer required, or has reached the end of its useful life, please dispose of in an environmentally friendly way. Drain any fluids (if applicable) into approved containers, in accordance with local waste regulations. It is our policy to continually improve products and we reserve the right to alter data, specifications and parts without prior notice. No liability is accepted for incorrect use of this product. Guarantee is 12 months from purchase date, proof of which is required for any claim.

## Dellonda Limited

Kempson Way, Suffolk Business Park, Bury St Edmunds, Suffolk. IP32 7AR

01284 757575

support@dellonda.co.uk

www.dellonda.co.uk