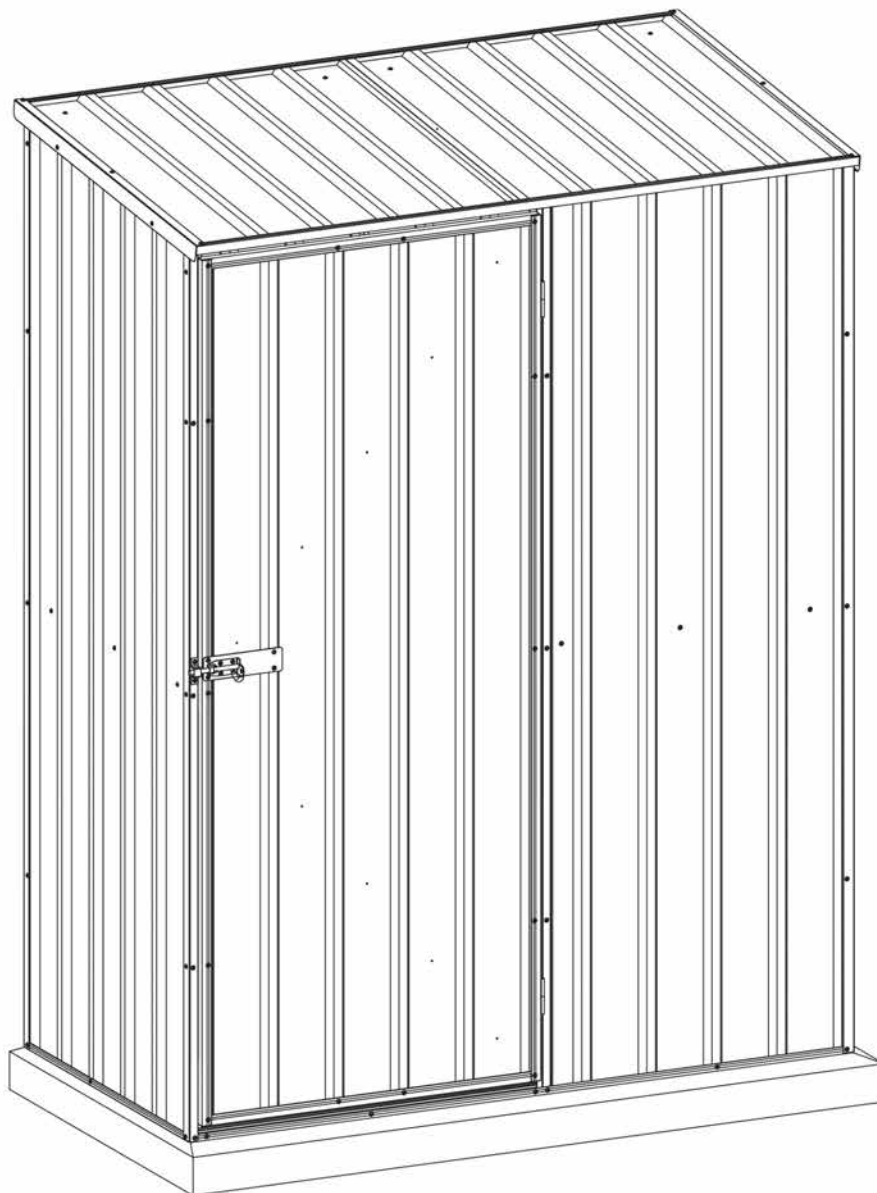




**Galvanized Steel Garden/Outdoor/
Storage Shed 1.5 x 0.8 x 1.9m, Pent
Roof - Green**



Model No. DG113

Thank you for purchasing a Dellonda product. Manufactured to a high standard, this product will, if used according to these instructions, and properly maintained, give you years of trouble free performance.

Important Information

Please read these instructions carefully. Note the safe operational requirements, warnings & cautions. Use the product correctly and with care for the purpose for which it is intended. Failure to do so may cause damage and/or personal injury and will invalidate the warranty. Keep these instructions safe for future use.



Refer to
instruction
manual



Wear protective
gloves



Wear eye
protection



Wear safety
footwear

About the Product

Green painted galvanized steel panels, easily assembled to form a rigid and secure structure. Features a pent style roof. Single door fitted with cross bolt and eyelet that accepts padlock (not included) for additional security. Supplied with bolt-down kit for secure fixing.

• SPECIFICATION

- **Model no:** **DG113**
- **Width:** 1500mm
- **Depth:** 800mm
- **Height:** 1900*mm
- **Roof type:** Pent

* Denotes minimum wall height

Safety Instructions

- **WARNING!** Ensure Health & Safety, local authority, and general workshop practice regulations are adhered to when building this shed.
- Keep children and unauthorised persons away from the working area
- **DO NOT** use the shed for any purpose other than that for which it is designed.
- Use appropriate safety clothing including eye protection.
- **NOTE:** The assembly of this product will require assistance.
- **DO NOT** attempt assembly in windy conditions.

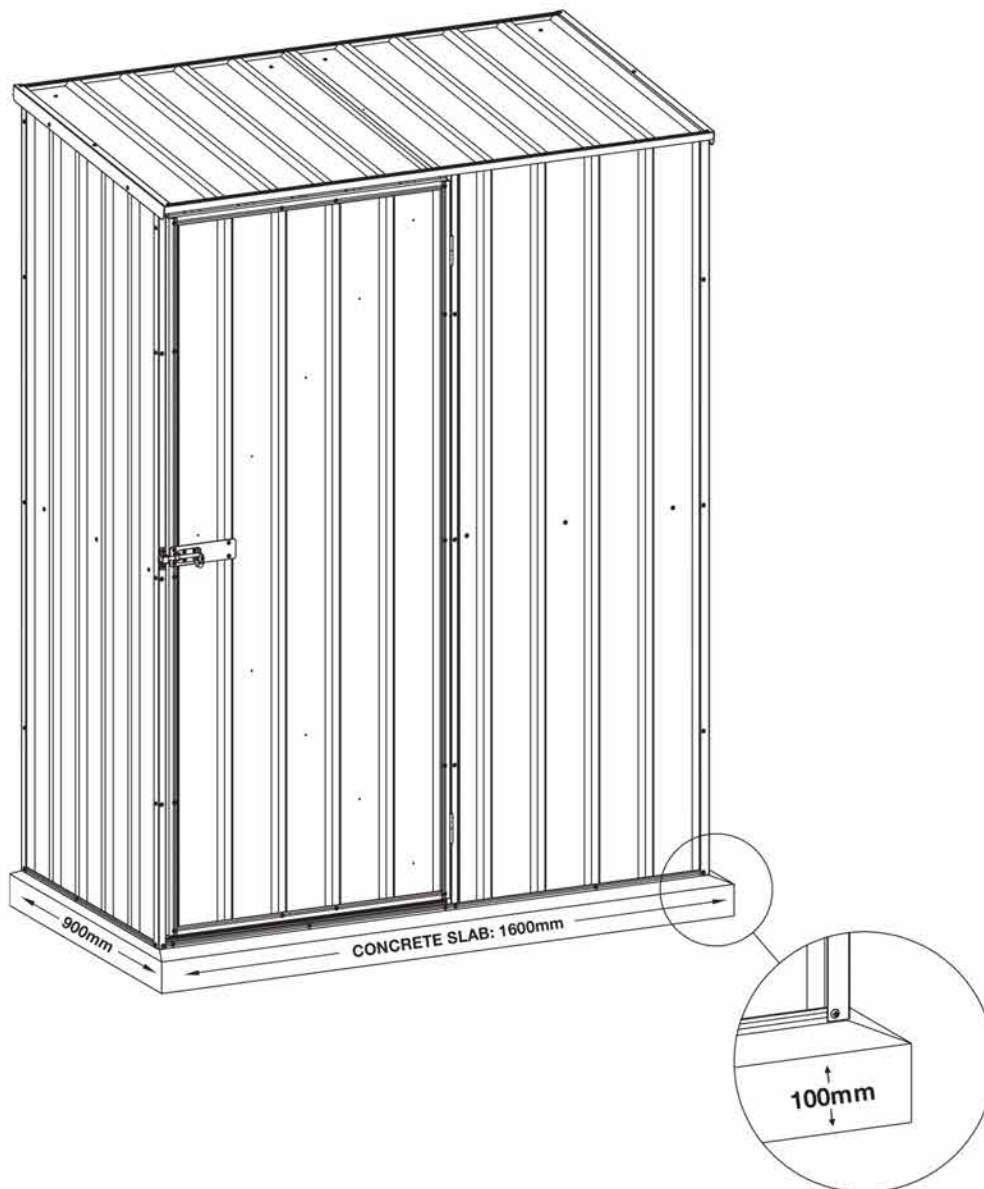
Tools required

- Drill, measuring tape, cross head screwdriver, rivet gun, rubber mallet, sturdy ladder, adjustable spanner, 2 saw horses, 3mm steel drill bit, 9mm masonry drill bit.

Build your garden shed in 7 easy steps!


- Step 1:** Check all parts against the component list
- Step 2:** Assemble the rear wall panels
- Step 3:** Assemble the side wall panels
- Step 4:** Assemble the roof panels
- Step 5:** Assemble the front wall panel
- Step 6:** Assemble the front door
- Step 7:** Fit the panels together






IMPORTANT: *It is recommended that your new shed is secured to a concrete slab as per the specifications in this manual.*
Concrete slab: Please ensure that your site is level. It is recommended that your slab is 100mm thick and you use builder's plastic and F52 reinforcing mesh. We recommend that you make your slab approximately 100mm bigger than the base dimensions of your shed. This will allow for a 50mm edge around your shed. We recommend that you slope the 50mm edges downward by 10mm so that rain water can drain away from your shed.








Step 1: Check all parts against the component list





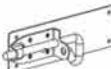







Lay out all parts with number facing outwards and check off against parts list.

Picture	Description	Component	Location	Part No.	QTY	Check
	Sheet	Sheet 1880x770	Rear wall	S83	2	
	Sheet	Sheet 1800-1880x770 (Right)	Side wall	S84	1	
	Sheet	Sheet 1800-1880x770 (Left)	Side wall	S85	1	
	Sheet	Sheet 855x770	Roof	3	2	
	Sheet	Sheet 1800x708	Front	S86	1	
	Door Sheet	Sheet 1745x770	Door	D18R	1	
	Channel	Channel 1743	Door	M24	1	
	Channel	Channel 1743	Door	M25	1	
	Channel	Channel 768	Door	M26	2	
	Brace	Brace 998	Door	U11	2	
	Channel	Channel 1508	Roof	20A	2	
	Channel	Channel 1508	Rear wall	20B	1	

Picture	Description	Component	Location	Part No.	QTY	Check
	Channel	Channel 1508	Rear wall	20C	1	
	Channel	Channel 1508	Front	20D	1	
	Channel	Channel 1508	Front	20E	1	
	Channel	Channel 768	Side wall	21A	2	
	Channel	Channel 768	Side wall	21B	2	
	Channel	Channel 775	Front	23	1	
	Channel	Channel 1458	Rear wall	31	1	
	Channel	Channel 718	Side wall	32	2	
	Channel	Channel 674	Front	33R	1	
	Jamb	Jamb 1798	Front	J3	1	
	Jamb	Jamb 1798	Front	J5	1	
	Jamb	Jamb 775	Front	42	1	
	Brace	Corner brace	Corner	Z37	1	

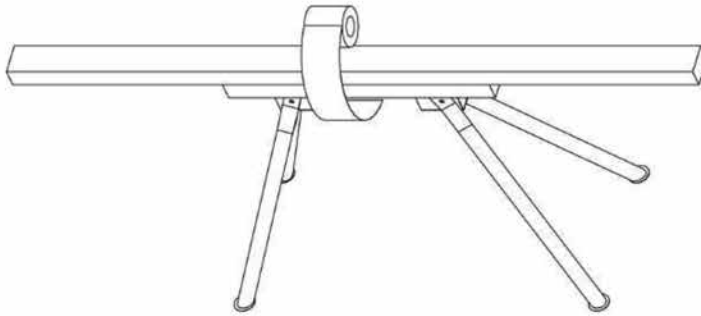
Picture	Description	Component	Location	Part No.	QTY	Check
	Brace	Corner brace	Corner	Z38	1	
	Brace	Corner brace	Corner	Z39	1	
	Brace	Corner brace	Corner	Z40	1	
	Lip	Lip 856	Roof	50	2	
	Brace	Joining brace	Door	W	1	

Fittings part list:

Picture	Component	QTY	Picture	Component	QTY
	Self-tapping screws (10mm)	130		Self-tapping screws (16mm)	20
	4 x 10mm Rivet	12		3 x 10mm Rivet	40
	Pad bolt (part: 70)	1		Keeper (part: 71)	1
	Bracket	8		5/16 x 19mm Hexagonal bolt	8
	5/16 Hexagonal Nut	8		Mid wall brace bracket (part:72)	3
	Self taper safety cover	25		Channel safety cover (L type)	1

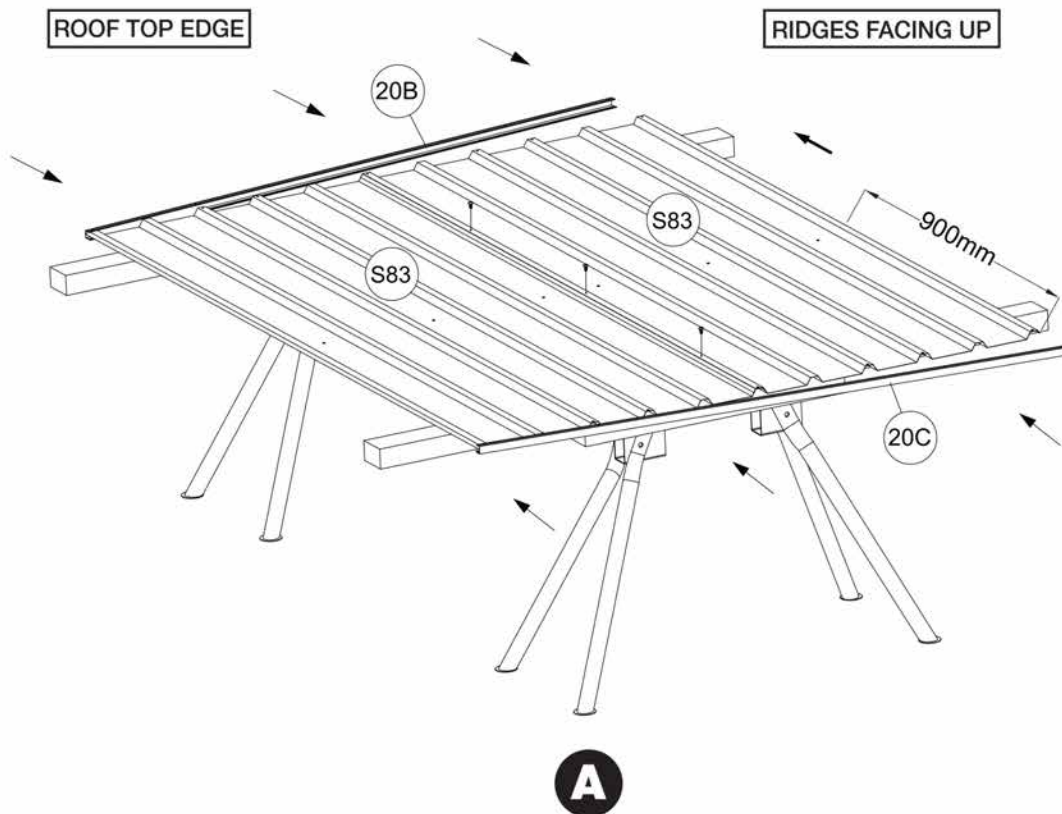
Step 2: Assemble the rear wall panels

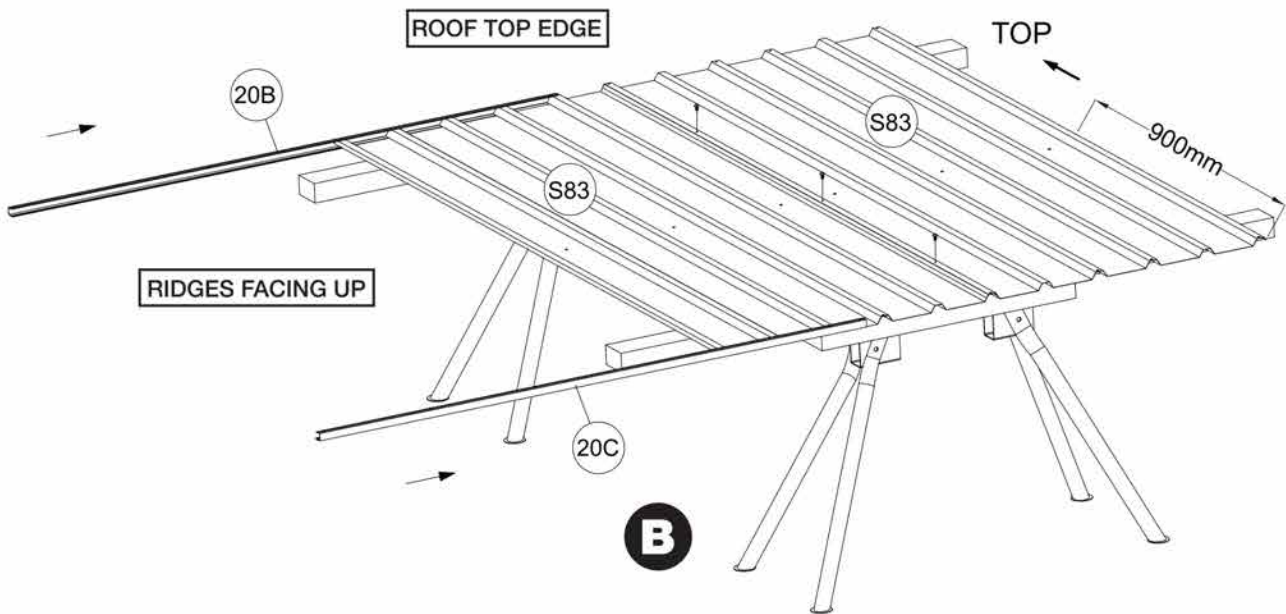
You will find it easier to assemble your shed using sawhorses with timber studs attached (timber needs to be the same length as the shed (1.5m)) or alternatively, a trestle table.



Place 2 x part S83 (Sheet) on your worktable and join them together with the self-tapping screws as per diagram below.

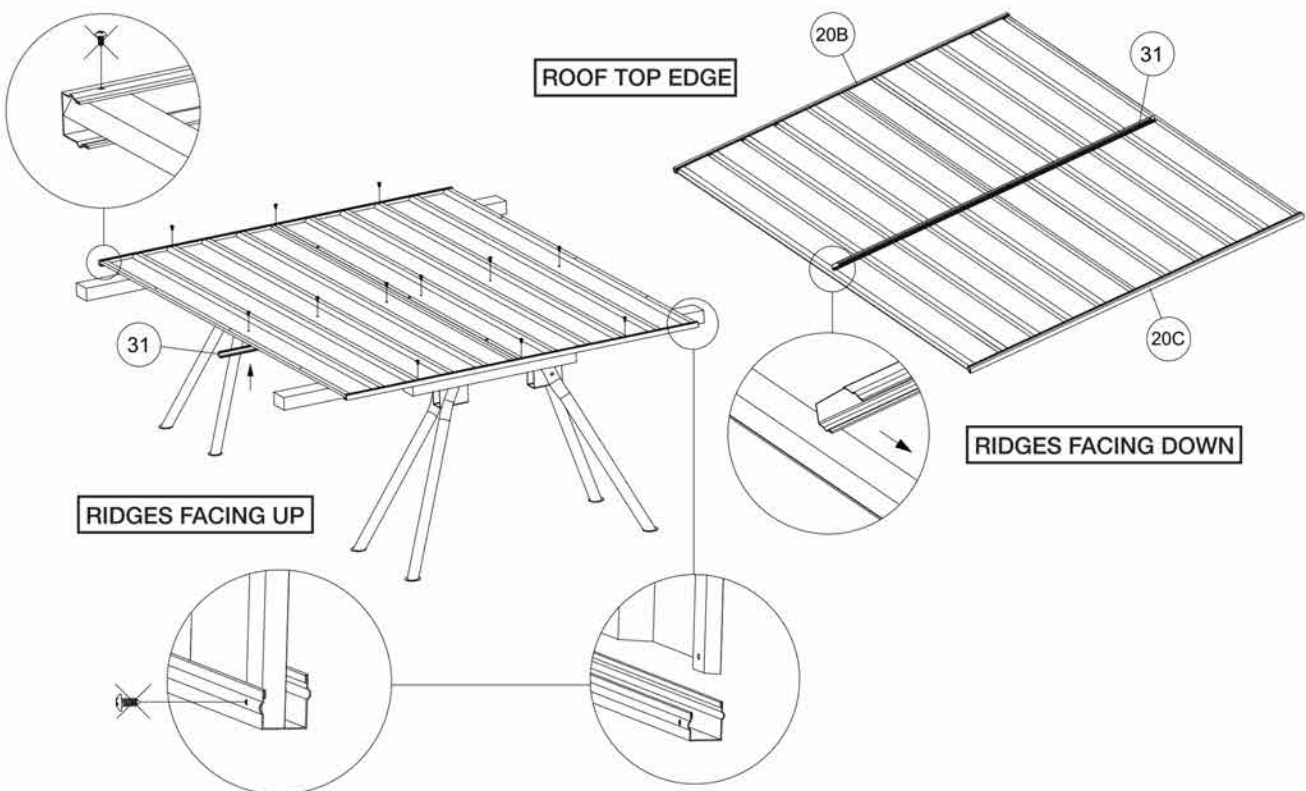
Now fit part 20B (top channel) and 20C (bottom channel) to the sheeting by tapping it in (diagram A) or sliding it in (diagram B). Make sure that the small lip of the channel is always facing out. This ensures rain water cannot build up inside your shed.





Step 2: Assemble the rear wall panels (continued)

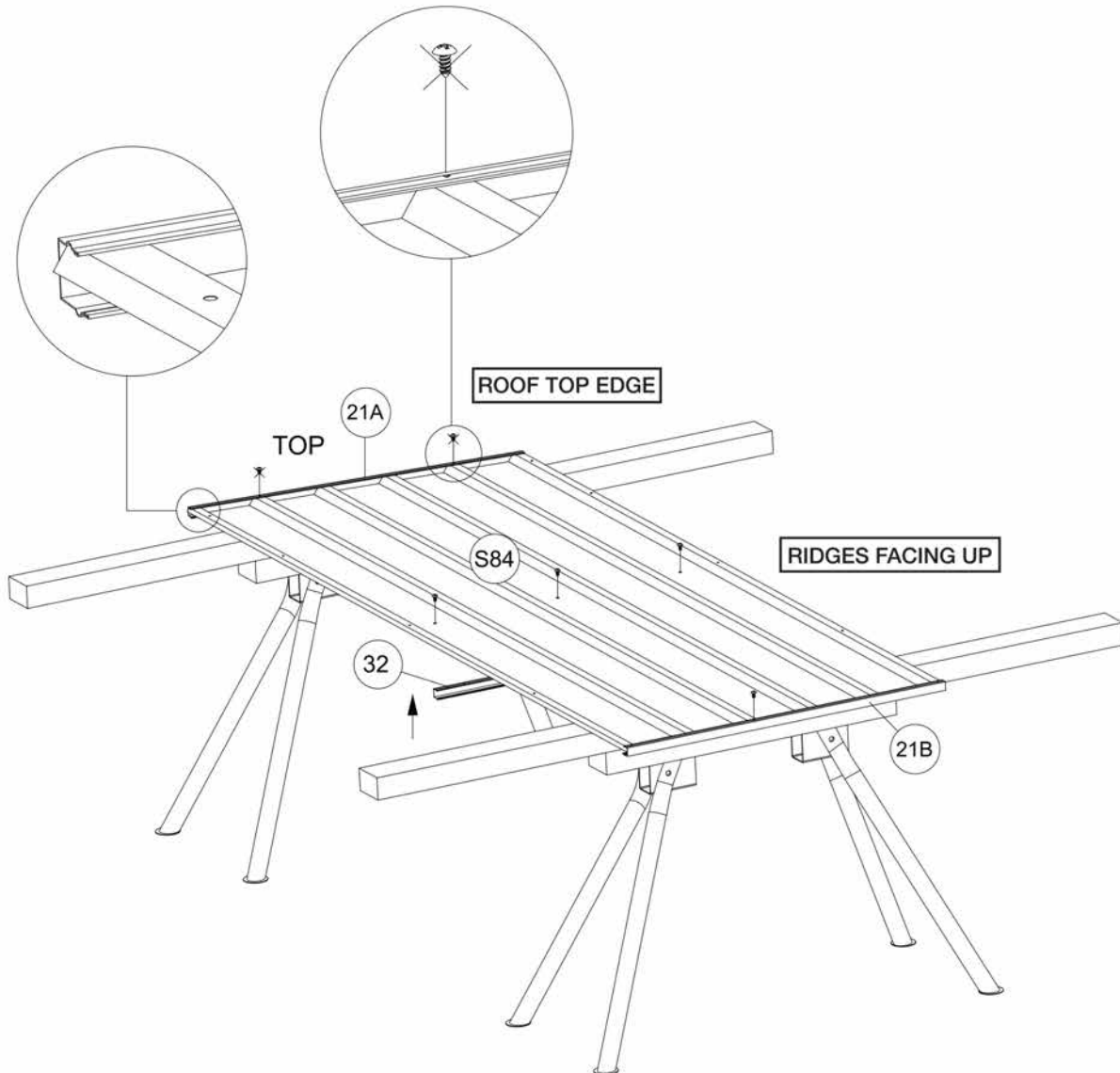
Now fit part 31 (mid wall channel) to the sheeting and position it with the provided self-tapping screws. Please note the groove should face downwards. Position the top and bottom channels with self-tapping screws as well. **NOTE:** All screws marked with a cross should not be fixed at this stage.



Tip: If panel and screw holes do not line up, try pulling panel to match up holes.

Step 3: Assemble the side wall panels

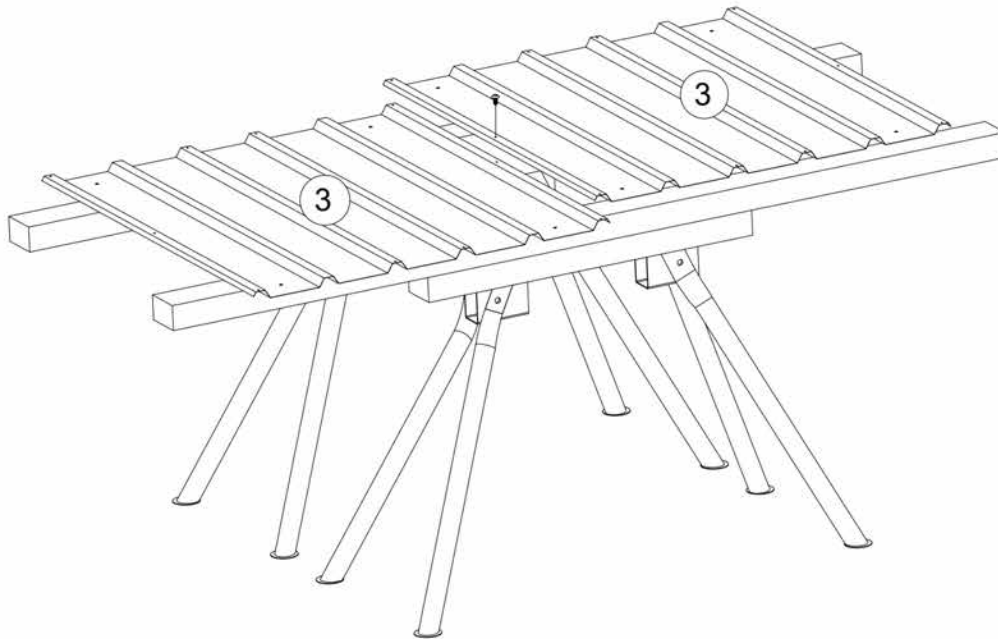
Place part S84 (sheet) on your worktable and tap or slide in part 21A (top channel) and part 21B (bottom channel). Position and fix part 32 (mid wall channel) using the self-tapping screws ensuring this channel is facing down before fixing. Fix part 21B (bottom channel) with self-tapping screws but not part 21A (top channel) at this stage. Make sure the small lip of the channels is always facing out. This ensures rain water cannot build up inside your shed. Repeat the same steps for part S85 (the other sidewall). **NOTE:** All screws marked with a cross should not be fixed at this stage.



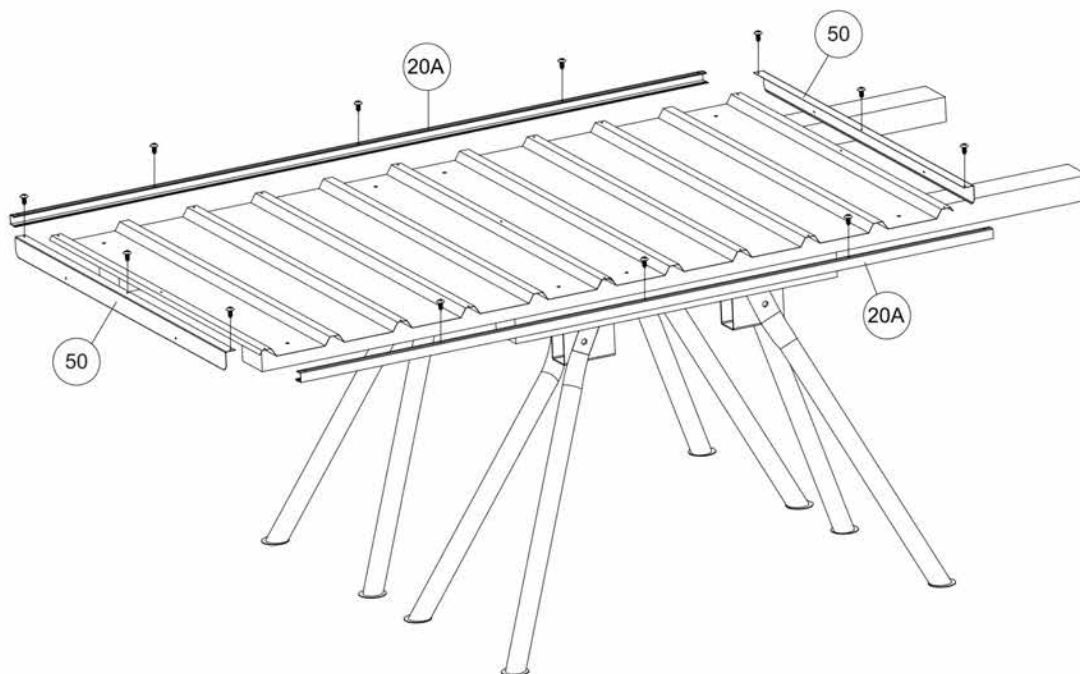
Tip: If panel and screw holes do not line up, try pulling panel to match up holes.

Step 4: Assemble the roof panel

Place 2 x part 3 (sheet) on your worktable and join together with the self-tapping screws as per the diagram below.

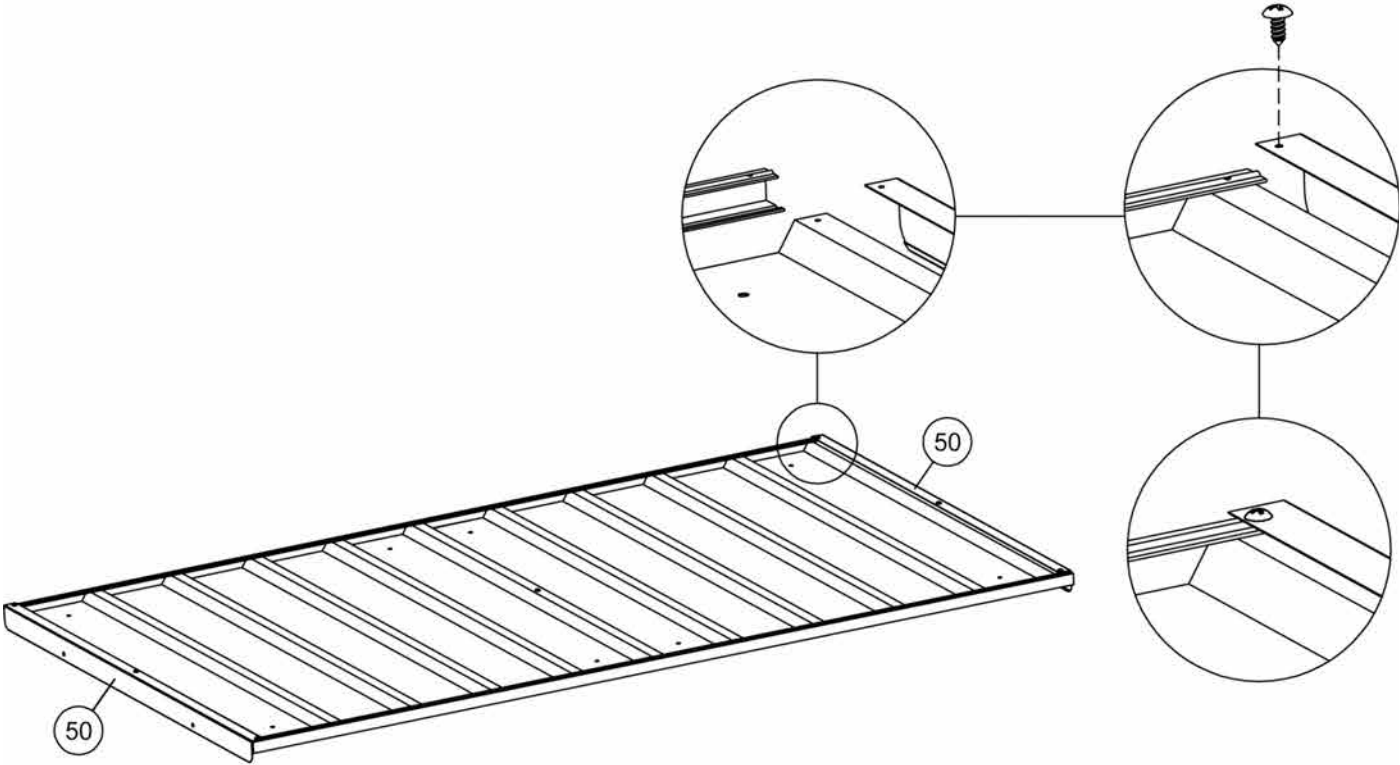


Now tap or slide 2 x part 20A (channels) onto the sheeting and fix them to the top and bottom with self-tapping screws. Make sure that the small lips on channels 20A are always facing out. This ensures rainwater cannot build up inside your shed.



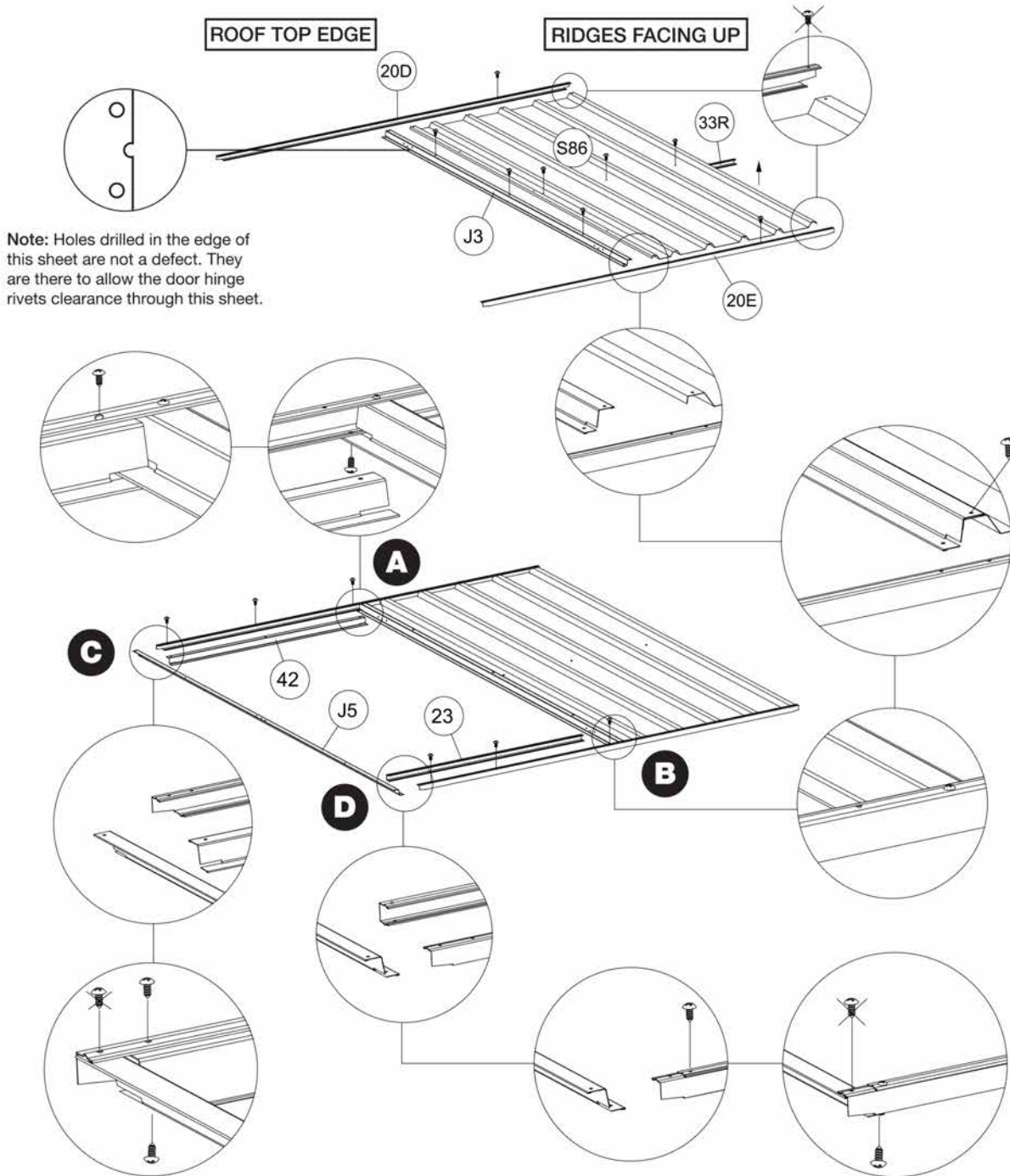
Step 4: Assemble the roof panel (continued)

Now fit 2 x part 50 (side lips) to the sheeting and fix them with self-tapping screws.



Step 5: Assemble the front wall panels

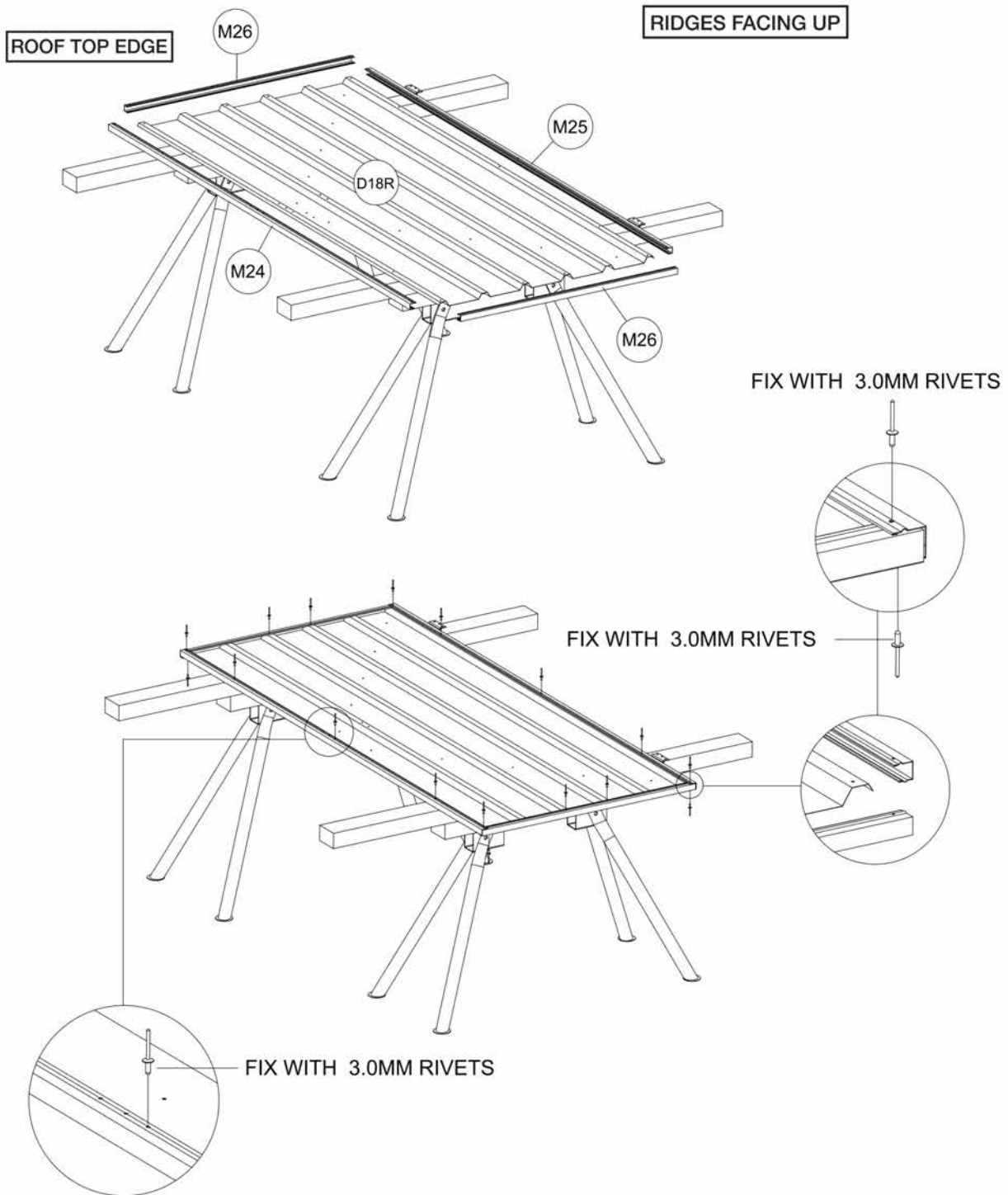
Place part S86 (sheet) on the worktable. Fit part 20D (top channel), part 20E (bottom channel), part J3 (jamb) (There are pre-drilled holes for the next step on both parts S86 and J3 that must be aligned) and part 33R (mid wall channel) to the sheeting and fix them with self-tapping screws - except those marked with a cross. **Note:** Groove on mid-wall channel should be facing down when fixed. Make sure that the small lips on channels 20D and 20E are always facing out. This ensures rainwater cannot build up inside your shed.



Fit part J5 (jamb), part 42 (jamb) and part 23 (bottom channel) and fix them with self-tapping screws - except those marked with a cross. Make sure both joints (diagrams A and B) are fixed the same followed by diagrams C and D.

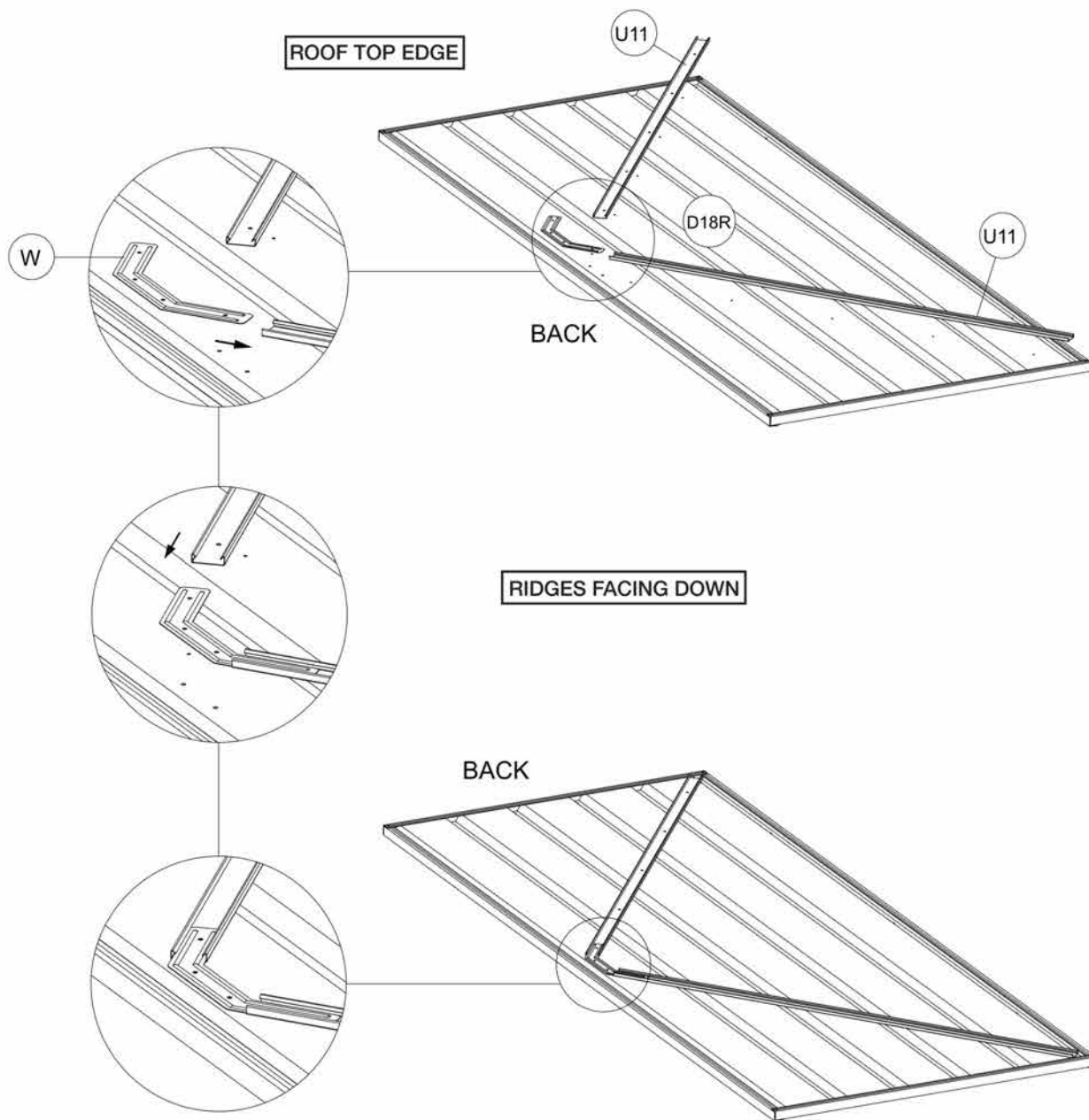
Step 6: Assemble the front door

Place part D18R (door sheet) on the worktable. Fit 2 x part M26, part M24 and part M25 (channels) to the door with the provided 3.0 x 10mm rivets. Make sure that the small lips on channels M26 are always facing out. This ensures rainwater cannot build up inside your shed.



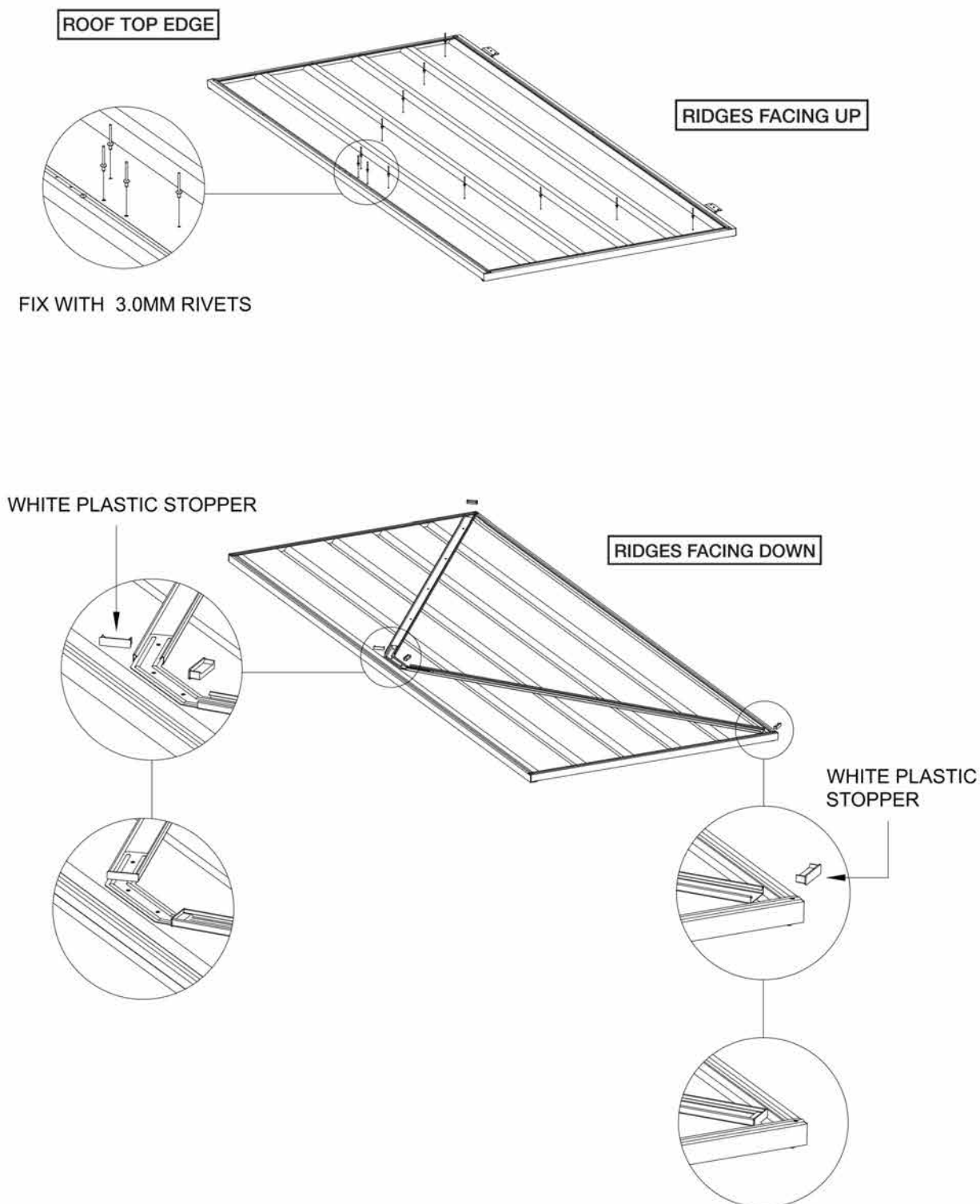
Step 6: Assemble the front door (continued)

Once channels are fitted to both doors, align 2 x part U11 (brace) and part W (joining brace) with holes on the back of the door and position temporarily with some tape or simply hold in place.



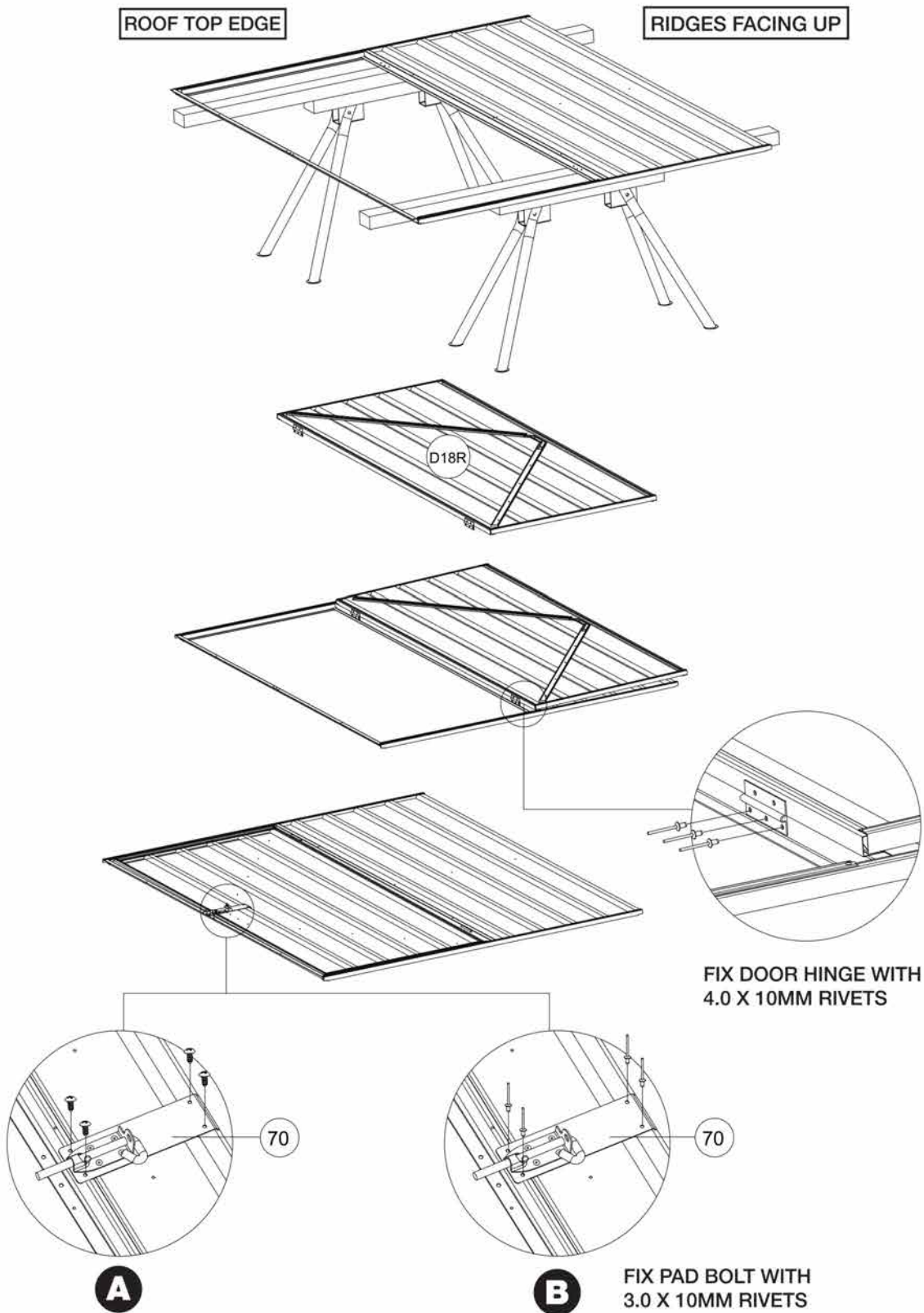
Step 6: Assemble the front door (continued)

Turn door over with bracing aligned with holes (make sure the ridges of the door are facing up) and fix the bracing with the provided 3.0 x 10mm rivets through the front of the panel. Then turn door over and insert plastic stoppers at the ends of braces as shown below. Note: When fixing the bracing to door ensure you are riveting through the front panel as shown in the diagram below.



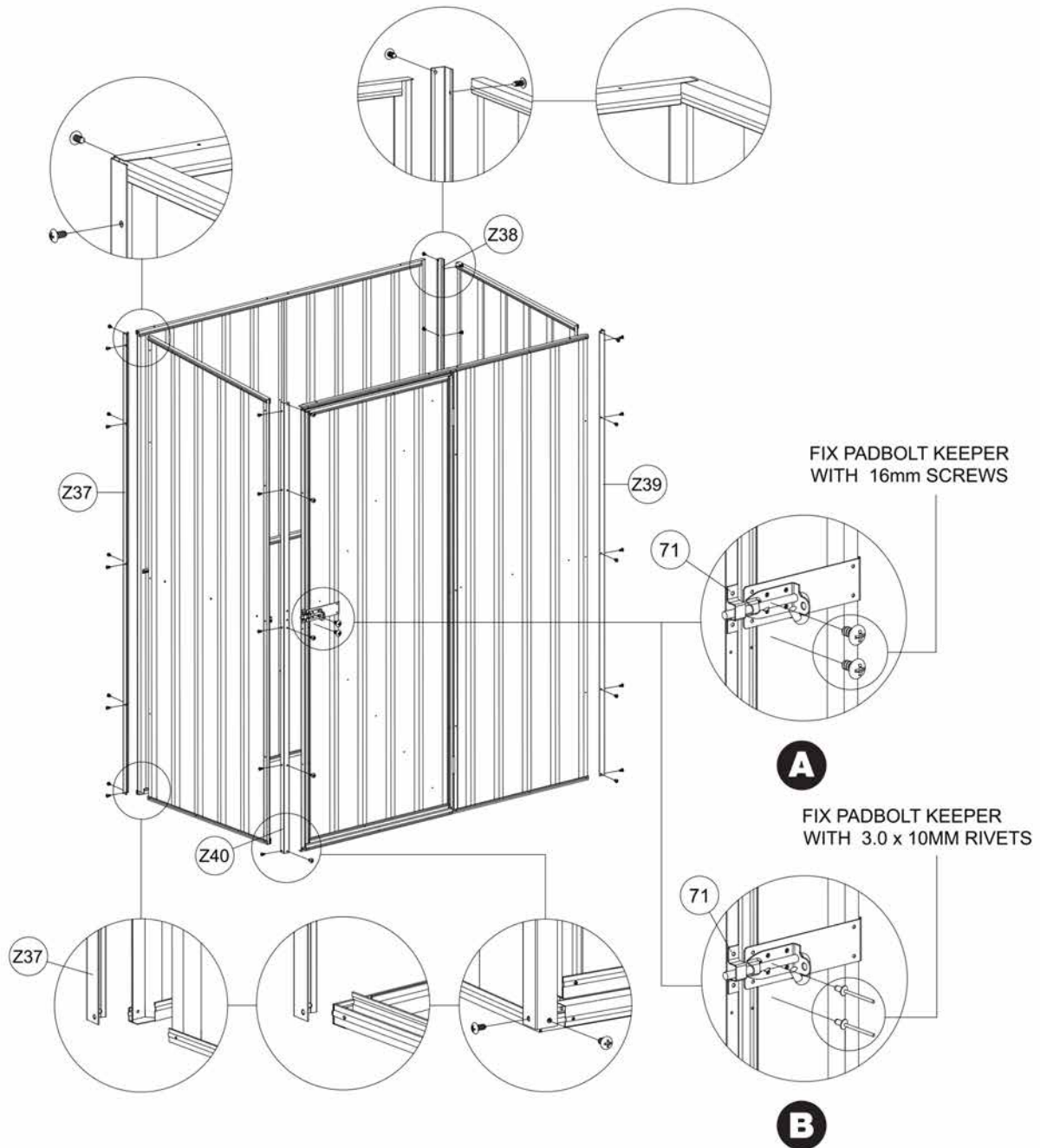
Step 6: Assemble the front door (continued)

Fit part D18R (assembled door) to the front wall panel as per the diagram below. Use rivet gun to fix the door using the pre-drilled holes. Fix the pad bolt (but NOT its keeper at this stage) using the pre-drilled holes with the self-tapping screws (or rivets) provided.

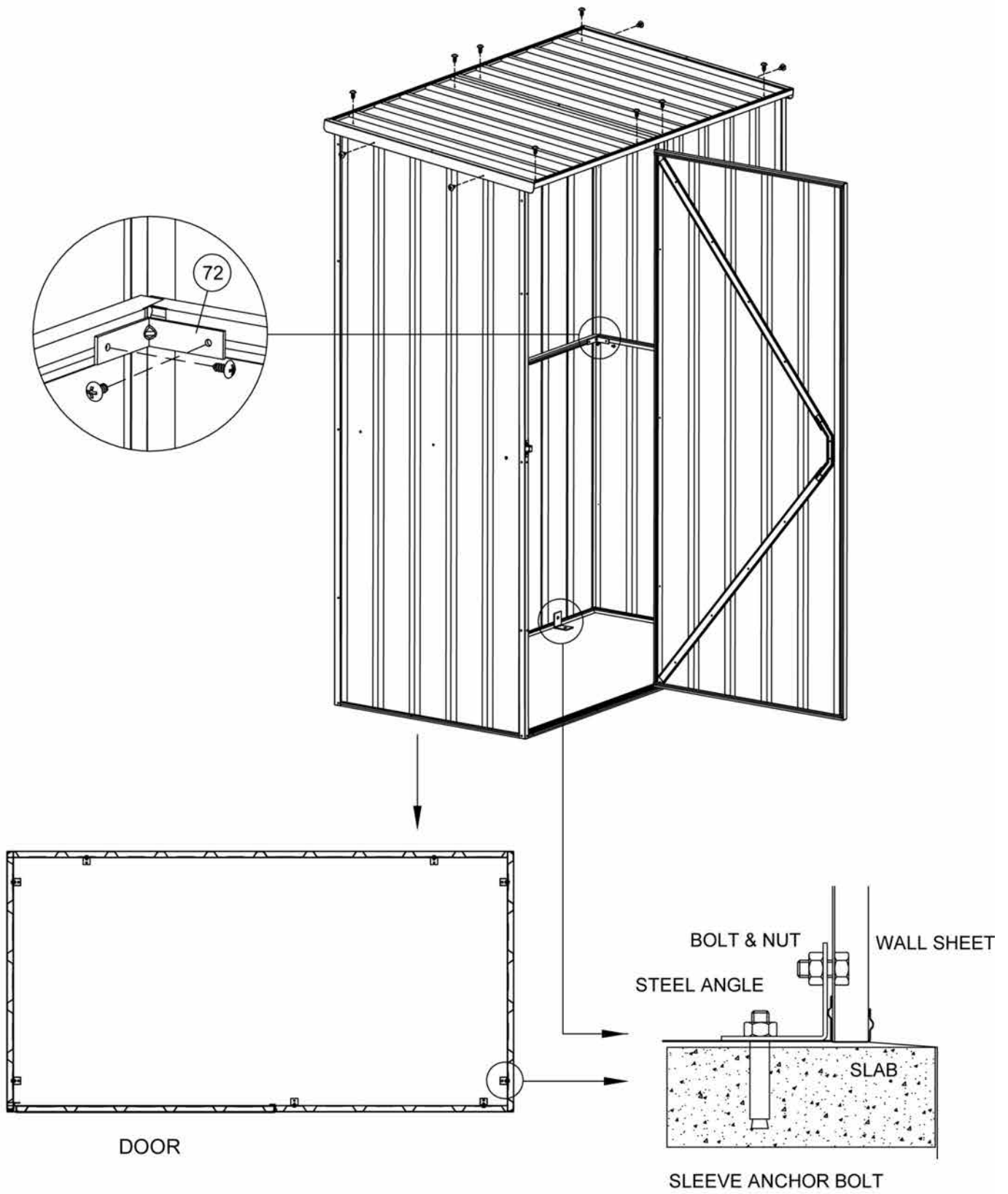


Step 7: Fit the panels together

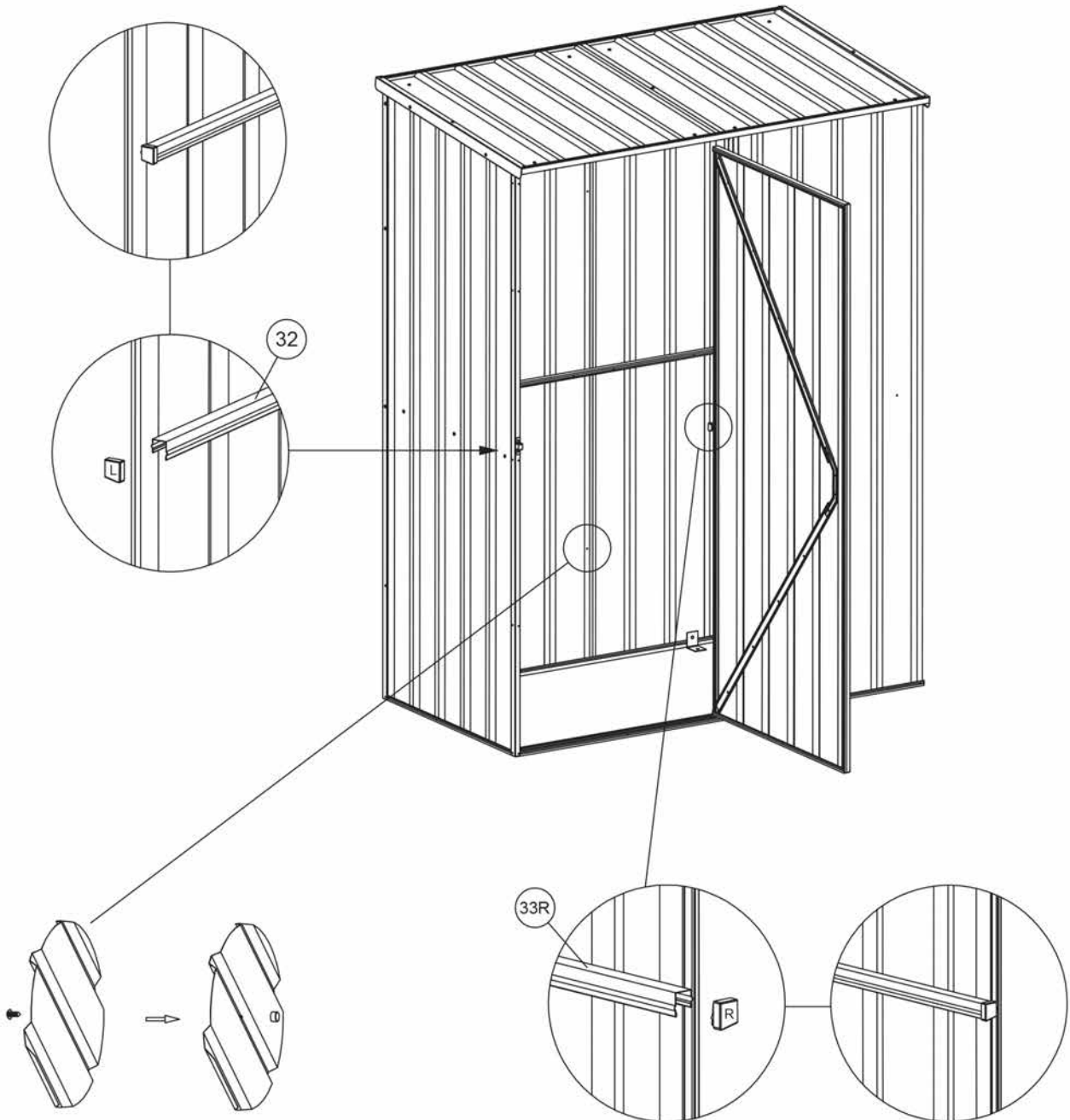
Attach the two side walls to the back wall, then fix the front wall followed by the roof. Fix all of these components together using the provided self-tapping screws. Fix the pad bolt keeper with the provided 16mm self-tapping screws (diagram A) or using rivets (diagram B) at this stage as well. Also attach parts Z37, Z38, Z39 and Z40 (corner brace) to each corner using the self-tapping screws (diagram A) or using rivets (diagram B) provided.



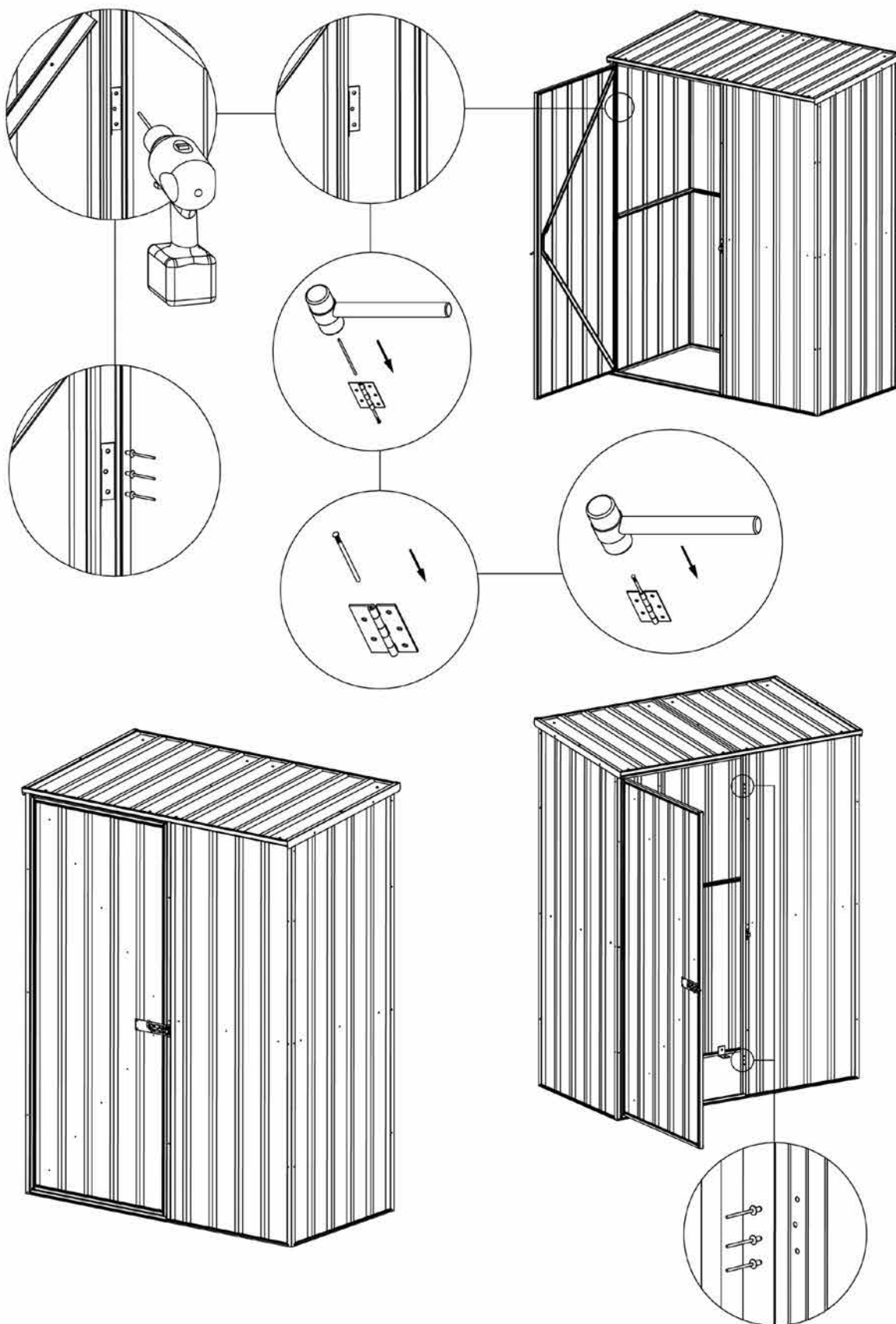
Now fit the bolt down kit as per the diagram below. Strengthen the mid wall braces by applying part 72 (mid wall brace bracket) on each corner if necessary.



For safety apply channel safety cover (L type) to part 32 (channel) and channel safety cover (R type) to 33R (channel). Also apply the self-tapper covers to screw ends visible in the walls on the inside of the shed as per the diagram below.



The door can be hinged on the opposite side as well. Align the door with the edge and make the holes using a cordless drill. Remove the pins from the hinges and reverse their direction before you attach the door. If you are concerned about the visibility of any pre-drilled holes, you can fill them with rivets. Perform the same procedure for the pad bolt.



Environment Protection and Waste Protection and Electrical Equipment Regulations (WEEE)

Recycle unwanted packaging materials. When this product is no longer required, or has reached the end of its useful life, please dispose of it in an environmentally friendly way. Drain any fluids (if applicable) into approved containers, in accordance with local waste regulations. It is our policy to continually improve products and we reserve the right to alter data, specifications and parts without prior notice. No liability is accepted for incorrect use of this product. Guarantee is 12 months from purchase date, proof of which is required for any claim.

Note: It is our policy to continually improve products and as such we reserve the right to alter data, specifications and component parts without prior notice.

Important: No Liability is accepted for incorrect use of this product.

Warranty: Guarantee is 12 months from purchase date, proof of which is required for any claim.

Dellonda Limited

Kempson Way, Suffolk Business Park, Bury St Edmunds, Suffolk. IP32 7AR



01284 757575



support@dellonda.co.uk



www.dellonda.co.uk