

# baridi

## Baridi 12kg/24hr Ice Cube Maker with LED Display 10 Minute Freeze



### Model No. DH52

Thank you for purchasing a Dellonda product. Manufactured to a high standard, this product will, if used according to these instructions, and properly maintained, give you years of trouble free performance.

## Important Information

Please read these instructions carefully and note any safe operational requirements, warnings & cautions. Use the product correctly and with care for the purpose for which it is intended. Failure to do so may cause damage and/or personal injury and will invalidate the warranty. Keep these instructions safe for future use.



Refer to  
instruction  
manual



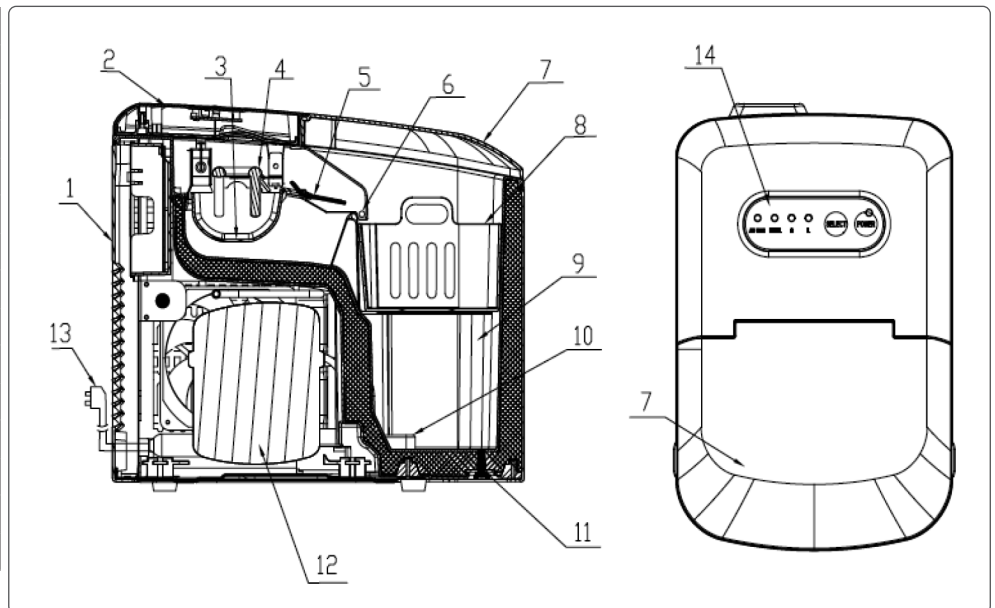
Warning:  
Flammable

## Specification

Water tank capacity:	2.1L
Ice basket capacity:	1.3L
Pcs per batch:	9
Refrigerant (weight)	R600a (21g)
Vesicant:	Cyclopentane (C <sub>5</sub> H <sub>10</sub> )
Power consumption:	120W
Supply:	230V-50Hz

## Contents

Part	Description	Quantity
1	Rear Cover	1
2	Top Cover	1
3	Water Tray	1
4	Evaporator	1
5	Ice Shovel	1
6	Ice Bin Full Sensor	1
7	Transparent lid	1
8	Ice Basket	1
9	Water Reservoir	1
10	Filter	1
11	Water Drain Plug	1
12	Compressor	1
13	Power Cord	1
14	Control panel	1



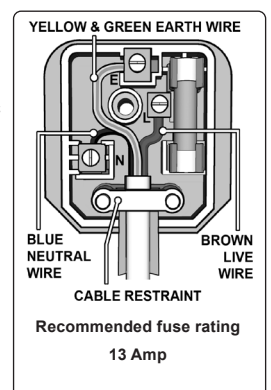
## About the Product

Produces up to 12kg ice in 24 hours, producing each batch in just 10 minutes! Choose between two sizes of ice cube. Electronic control with LED display. 2.2L water tank and 1.3L ice basket. LED indicators show when water level is low and when ice compartment is full.

## Safety Instructions

### ELECTRICAL SAFETY

- ❑ **WARNING!** It is the responsibility of the owner and the operator to read, understand and comply with the following:  
You must check all electrical products, before use, to ensure that they are safe. You must inspect power cables, plugs, sockets and any other connectors for wear or damage. You must ensure that the risk of electric shock is minimised by the installation of appropriate safety devices. A Residual Current Circuit Breaker (RCCB) should be incorporated in the main distribution board. You must also read and understand the following instructions concerning electrical safety.
- ✓ Ensure that cables are always protected against short circuit and overload.
- ✓ Regularly inspect power supply cables and plugs for wear or damage and check all connections to ensure that none are loose.
- ✓ Ensure that the voltage marked on the appliance matches the power supply to be used and that the plug is fitted with the correct fuse - see fuse rating at right.
- ✗ **DO NOT** use worn or damaged cables, plugs or connectors. Have any faulty item repaired or replaced immediately by a competent electrician.



- ✓ It is recommended that this appliance is wired directly to a fused isolator switch. If, however, a plug is fitted, the following applies:
- ✓ Fit a new plug according to the following instructions (UK only).
  - A) Connect the GREEN/YELLOW earth wire to the earth terminal 'E'.
  - B) Connect the BROWN live wire to the live terminal 'L'.
  - C) Connect the BLUE neutral wire to the neutral terminal 'N'.
  - D) After wiring, check that there are no bare wires, that all wires have been correctly connected, that the cable restraint is tight.

#### GENERAL SAFETY




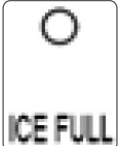
#### IMPORTANT NOTICES

When using an electrical appliance, basic safety precautions should always be followed to reduce the risk of fire, electric shock, and/or injury, including the following:

- ✓ Read all instructions before using.
- ✓ Remove all packing material and carefully check your ice maker to ensure it is in good condition and that there is no damage to the ice maker or power cord and plug.
- ✓ Before using the Ice maker for the first time, please wait 2 hours after positioning it, and keep the transparent lid open for at least 2 hours.
- ✓ Pure water is not allowed to be used on this unit, spring water is recommended.
- ✓ Ensure the voltage is compliant with the voltage range stated on the rating label, and ensure the earthing of the socket is in good condition.
- ✓ If the supply cord is damaged, it must be replaced by the manufacturer or its service agent or a similarly qualified person in order to avoid a hazard.
- ✗ **DO NOT** upend this product or incline it over a 45°C angle.
- ✓ To protect against risk of electric shock, **DO NOT** pour water on cord, plug and ventilation, immerse the appliance in water or any other liquid.
- WARNING!** Unplug the appliance after using or before cleaning.
- ✓ Keep the appliance 8cm from other objects to ensure the good heat dispersion.
- ✗ **DO NOT** use the accessories which are not recommended by Manufacturer.
- ✓ This appliance can be used by children aged from 8 years and above and persons with reduced physical, sensory or mental capabilities or lack of experience and knowledge if they have been given supervision or instruction concerning use of the appliance in a safe way and understand the hazards involved. Children shall not play with the appliance. Cleaning and user maintenance shall not be made by children without supervision. Children should be supervised to ensure that they **DO NOT** play with the appliance.
- ✗ **DO NOT** use the appliance close by flames, hot plates or stoves.
- ✗ **DO NOT** switch on the power button frequently (ensure 5min interval at least) to avoid the damage of compressor.
- ✓ Metal sheet or other electric objects are not allowed to be inserted into the appliance to avoid fire and short circuit.
- ✗ **DO NOT** use outdoors.
- ✓ Never clean with scouring powders or hard implements.
- ✓ Please keep the instruction manual.
- WARNING: DO NOT** store explosive substances such as aerosol cans with a flammable propellant in this appliance.
- ✓ This appliance is intended to be used in household and similar applications such as
  - **staff** kitchen areas in shops, offices and other working environments;
  - **farm** houses and by clients in hotels, motels and other residential type environments;
  - **bed** and breakfast type environments;
  - **catering** and similar non-retail applications
- ✓ The refrigerant and insulation blowing gas is flammable, when disposing of the appliance, do so only at an authorized waste disposal centre. **DO NOT** expose to flame.
- ✓ If the power cord is damaged; it must be replaced by the manufacturer, its service agent or a similarly qualified person in order to avoid a hazard.
- ✓ Fill with potable water only.
- ✓ It is normal for the compressor and condenser surface to reach temperatures between 70°C and 90°C during operation and surrounding areas may be very hot.
- ✓ Due to fast freezing, ice cubes may appear "Cloudy". This is air trapped in the water and will not affect quality or taste of ice.
- ✓ This appliance is not intended for use by persons (including children) with reduced physical, sensory or mental capabilities or lack of experience and knowledge unless they have been given supervision or instruction concerning use of the appliance by a person responsible for their safety.
- ✓ Children should be supervised to ensure that they **DO NOT** play with the appliance.
- ✗ **DO NOT** immerse in water.
- WARNING:** – keep ventilation openings ,in the appliance enclosure or in the built-in structure clear of obstruction.
- WARNING:** – **DO NOT** use mechanical devices or other means to accelerate to defrosting process ,other than those recommended by the manufacturer.
- WARNING:** – **DO NOT** damage the refrigerant circuit.
- WARNING:** – **DO NOT** use electrical appliance inside the food storage compartments of the appliance , unless they are of the type recommended by the manufacture.
- WARNING!** Professional repair only.

## Control Panel Operation



	<ul style="list-style-type: none"> <li>The <b>POWER</b> indicator will flash after the unit is plugged in, and then the machine enters standby state. It will start to work by pressing <b>POWER</b> button, accompanying indicator lighting. During operation, pressing this button, the machine will return to standby state.</li> </ul>
	<ul style="list-style-type: none"> <li>This button is for selecting the size of ice. The default setting is large ice, if the smaller one is needed, press this button. When you select the desired size, corresponding indicator of S (small) or L (large) will be on.</li> <li>Press and hold "<b>SELECT</b>" button for 3 seconds to activate the pipeline self-clean process, which "pumps water through for 30 seconds → water tank run to drain out water" as a cycle, and this cycle will run for 5 times. "S" and "L" will flash in turn until the self-cleaning process is over and the machine enters standby mode. Remove the plastic plug to drain water and then whole process will be finished.</li> </ul>
	<ul style="list-style-type: none"> <li>When the indicator for this button turns red, it means there is insufficient water in the water reservoir, you need to add enough water and press the <b>POWER</b> button to restart the machine.</li> </ul>
	<ul style="list-style-type: none"> <li>When the ice reaches the max storage capacity, the indicator on this button will flash, and the machine will stop working. Remove the ice and the machine will start again. If the level of the ice is lower than the level of 'ice bin full' sensor, the machine will restart automatically.</li> </ul>

## Operating Instructions

- Note:** Water reservoir and pipeline should be cleaned before use.
- Step 1.** Unplug the unit, and clean the water reservoir by adding water, then remove the plug to drain out the water from water reservoir.
- Step 2.** Reinstall the plastic plug, and add clean water. After connecting the power supply, press and hold "**SELECT**" button for 3 seconds to activate pipeline self-cleaning process. After cleaning, drain out the water.
- Step 3.** Open the lid and take out the ice basket to add appropriate water into water reservoir.
- Note:** The water poured into water reservoir should be lower than the water reservoir's **MAX** level. When water volume goes beyond the max level, please open the bottom water drain plug to drain the spare water out. Then close the transparent lid.
- Step 4.** Select the desired ice size, the machines default size of ice is large.
- Note:** Please select the (S) small sized ice cubes when ambient temperature is below 15°C. When the ambient temperature is higher than 30°C, (L) Large ice cube sizes are recommended.
- Note:** For the first three cycles, the ice may be small and irregular in size.
- Note:** When the ice collecting tray is full please remove the ice immediately, **DO NOT** allow the ice collecting tray to overflow.

## Cleaning & Use Guidance

- Clean the inner liner, ice collecting tray, water box, ice shovel and evaporator frequently. When cleaning, unplug the unit and remove the ice cubes. Use a diluted solution of water and vinegar to clean the inside and the outside surface of the Ice maker. **DO NOT** spray Ice maker with chemicals or diluted agents such as acids, gasoline or oil. Rinse thoroughly before starting.
- Keep ventilation openings in the appliance enclosure, or in the built-in structure, clear of obstruction. **DO NOT** use mechanical devices or other means to accelerate the defrosting process, other than those recommended by the manufacturer.
- Using the machine after being left for a period of time. It may not have enough water to pump in the system, and the indicator of "**ADD WATER**" will keep lighting. At this time, you just need to press **POWER** button again, the machine can enter normal state.
- To ensure the cleanness of ice, please change water for water reservoir at least once one day. If not using for a long time, drain the water from the machine, clean it and make sure it is completely dry before storing.
- If the compressor stops due to a shortage of water, is over-full of water or there is an interruption of the power supply, it will delay for 3 mins to start up after restarted.
- Always use fresh water before starting ice production either at initial installation or after a long shut-off period.

## Troubleshooting

- 1. Please note, if a power failure occurs due to disconnection of the power cord, or the power button being pressed to 'off' during an ice making cycle, small ice chips may have formed and lodged in the automatic shovel causing it to jam. If this occurs, the ice chips may be removed by disconnecting the ice maker from the power supply and gently pushing the shovel to the rear of the cabinet, removing the ice chips, then restarting.
- 2. Please check if the water reservoir is level if the ice shovel can not move the ice to ice basket. If not, please push the ice shovel back into position by hand, then press the **POWER** button to restart.

## Troubleshooting

Problem	Possible Cause	Solution
The compressor works abnormally with a buzzing noise.	The voltage is lower than recommended.	Stop the Ice maker and <b>DO NOT</b> restart until the voltage is normal.
Water shortage indicator light is on.	1. There is no water. 2. The pump is full of air.	1. Add to some water until it reaches MAX position. 2. Press POWER button to restart.
Indicator lights on display are not on.	Blown fuse/ No power.	Replace fuse/ Turn power on.
The ice made is too large and with pieces sticking together.	1. Water temperature is too low. 2. Ice of previous cycles left in the water tray.	1. Select the small size. 2. Take out the ice while the unit is in the standby state.
All indicators flash simultaneously.	Water tray is blocked by ice cube.	Unplug the power to take out the ice which blocking the tray, then plug the power and press the POWER button, the machine will restart 3mins later.



### Environment Protection, Waste Electrical and Waste Electronic Equipment Regulations (WEEE)



Recycle unwanted packaging materials. When this product is no longer required, or has reached the end of its useful life, please dispose of in an environmentally friendly way. Drain any fluids (if applicable) into approved containers, in accordance with local waste regulations.



Please note that this product contains one or more batteries. It is our policy to continually improve products and we reserve the right to alter data, specifications and parts without prior notice. No liability is accepted for incorrect use of this product. Guarantee is 12 months from purchase date, proof of which is required for any claim.



## Dellonda Limited, Sole UK Distributor of Baridi

Kempson Way, Suffolk Business Park, Bury St Edmunds, Suffolk. IP32 7AR



01284 757575



support@dellonda.co.uk



www.dellonda.co.uk