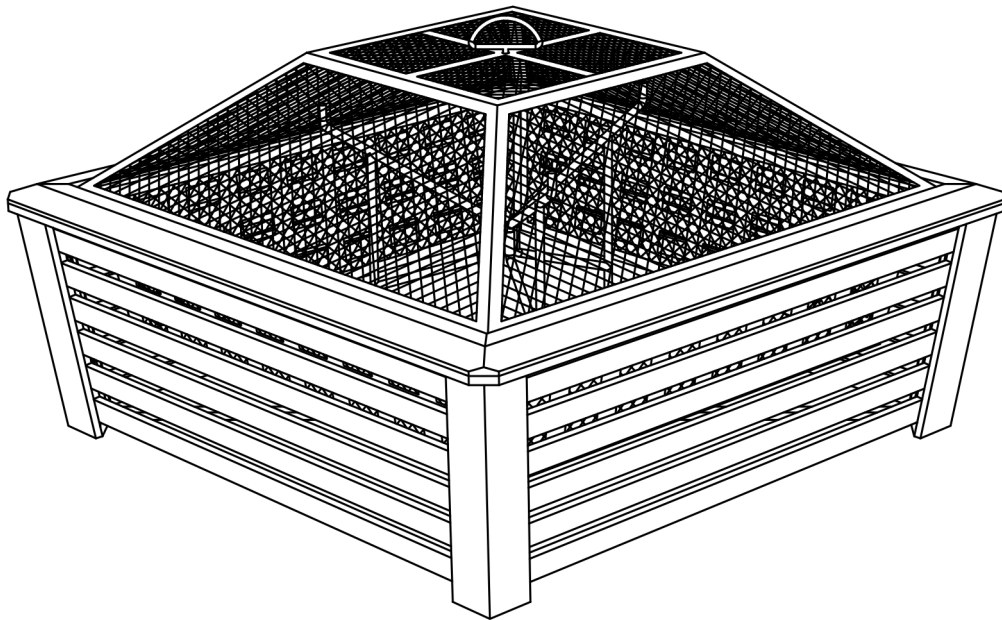




Dellonda Deluxe 35" Square Outdoor Fire Pit, Fireplace, Garden & Patio Heater



Model No. DG43

Thank you for purchasing a Dellonda product. Manufactured to a high standard, this product will, if used according to these instructions, and properly maintained, give you years of trouble free performance.

Important Information

Please read these instructions carefully. Note the safe operational requirements, warnings & cautions. Use the product correctly and with care for the purpose for which it is intended. Failure to do so may cause damage and/or personal injury and will invalidate the warranty. Keep these instructions safe for future use.



Refer to instruction manual



Wear Gloves



Warning: Hot Surface

About the Product

Contemporary style square fire pit is perfect for relaxing outdoors with family and friends. Manufactured from durable steel (0.8mm) with a high temperature black finish. Includes mesh safety screen to prevent embers and sparks flying. Suitable for use with untreated wood and logs. Supplied with fire poker. Some simple assembly required.

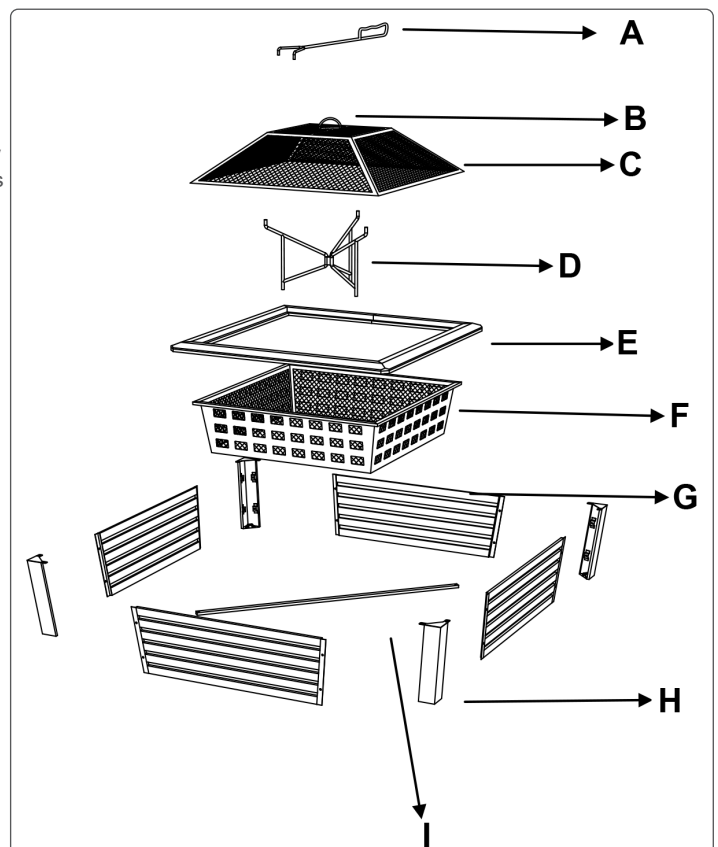
Safety Instructions

• GENERAL SAFETY

- **WARNING! The warnings, cautions and instructions in this manual cannot cover all possible conditions and situations that may occur. It must be understood by the operator that common sense and caution are factors which cannot be built into this product, but must be applied by the operator.**
- **WARNING! For outdoor use only, never burn in vehicles, tents or indoors.**
- Risk assess area where fire pit is to be used.
- Tabletop lid must be removed when fire pit is in use. Tabletop lid may be replaced **ONLY** after the fire has been extinguished and bowl has been allowed to cool. Tabletop lid may not be used to extinguish the fire. Doing so may damage lid and may cause burns or injury.
- **DO NOT** use the fire bowl to cook food, the fire bowl is not designed for grilling food.
- This fire bowl is intended to burn wood logs only. **Do not** use on wooden decks. **Do not** burn coal, leaves, or other combustible materials in the fire bowl.
- **Do not** use flammable liquids to start fires.
- Ensure that there is a garden hose nearby, in case of emergency.
- Consider neighbors, ensure that the smoke generated will not affect them.
- Add fuel gradually, a bit at a time.
- Keep away from combustible materials. Site away from fences, shrubs, trees, garden structures and buildings. A gusty day can make a fire burn more fiercely, causing it to flare up unexpectedly.
- Not for use by children. Keep children and pets away from the fire bowl.
- The fire bowl is hot. Use with caution. **Do not** touch the hot fire bowl with bare hands.
- Never leave the burning fire bowl unattended, and always extinguish the fire completely.
- **DO NOT** use fire bowl near flammable or combustible objects or materials.
- When the fire bowl is in use, the handle on the mesh screen can reach extreme temperatures that can cause serious injury to an unprotected hand. Use a poker or an appropriate heat resistant glove or pad when handling.
- The poker handle may become hot during and after use.
- Check local fire regulations and municipal by-laws for safe use.
- Check tightness of fixings periodically.
- Only use on level ground.
- **DO NOT** move the whilst lit.
- Keep children and pets away from the area.
- **WARNING!** Although we take every effort to ensure that the assembly process is as easy as possible, it is inherent with fabricated steel parts that corners and edges can cause cuts if improperly handled during assembly procedures.
- Be careful while handling any parts during assembly. It is strongly recommended that you protect hands with a pair of work gloves.

No.	Parts	Qty.
A	Poker	1
B	Handle	1
C	Mesh cover	1
D	Wood grate	1
E	Top frame	1
F	Fire bowl	1
G	Panels	4
H	Legs	4
I	Support frame	1

No.	Hardware	Qty.
AA	M6 x16 Bolt	2
BB	M6 x10 Bolt	24
CC	M6 Nut	1



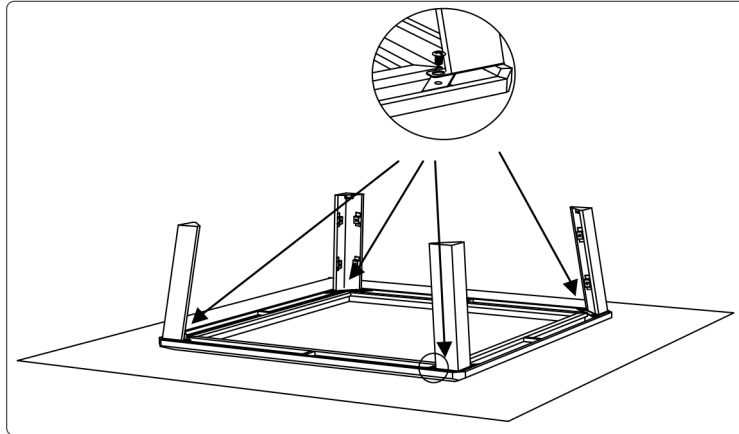
Assembly Procedures

- **TOOLS REQUIRED** (Not included)

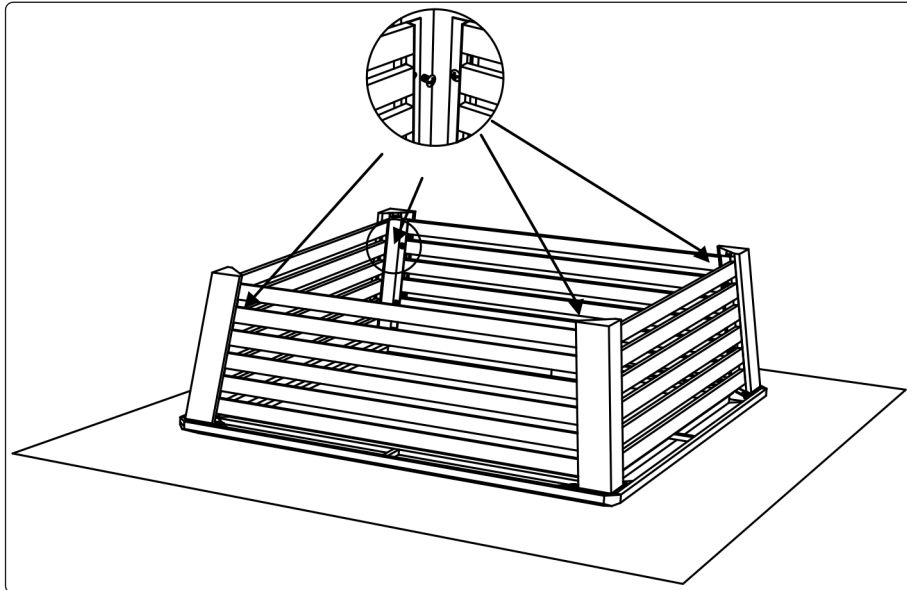


Assembly

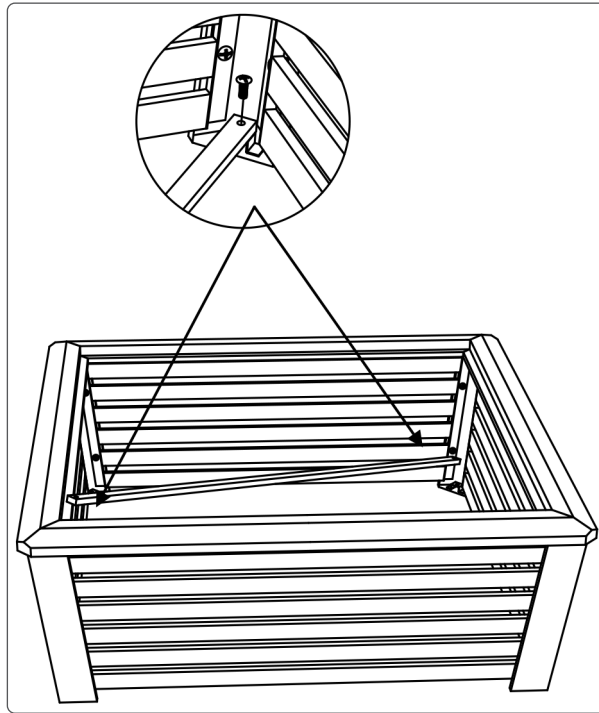
- **Step 1:** Attach the legs (H) to the top frame (E) by using M6 x 10 mm bolts (BB).
- **Note:** Put something under the top frame to protect it. Keep all bolts loose during the assembly of this step until all parts are installed into the correct position.



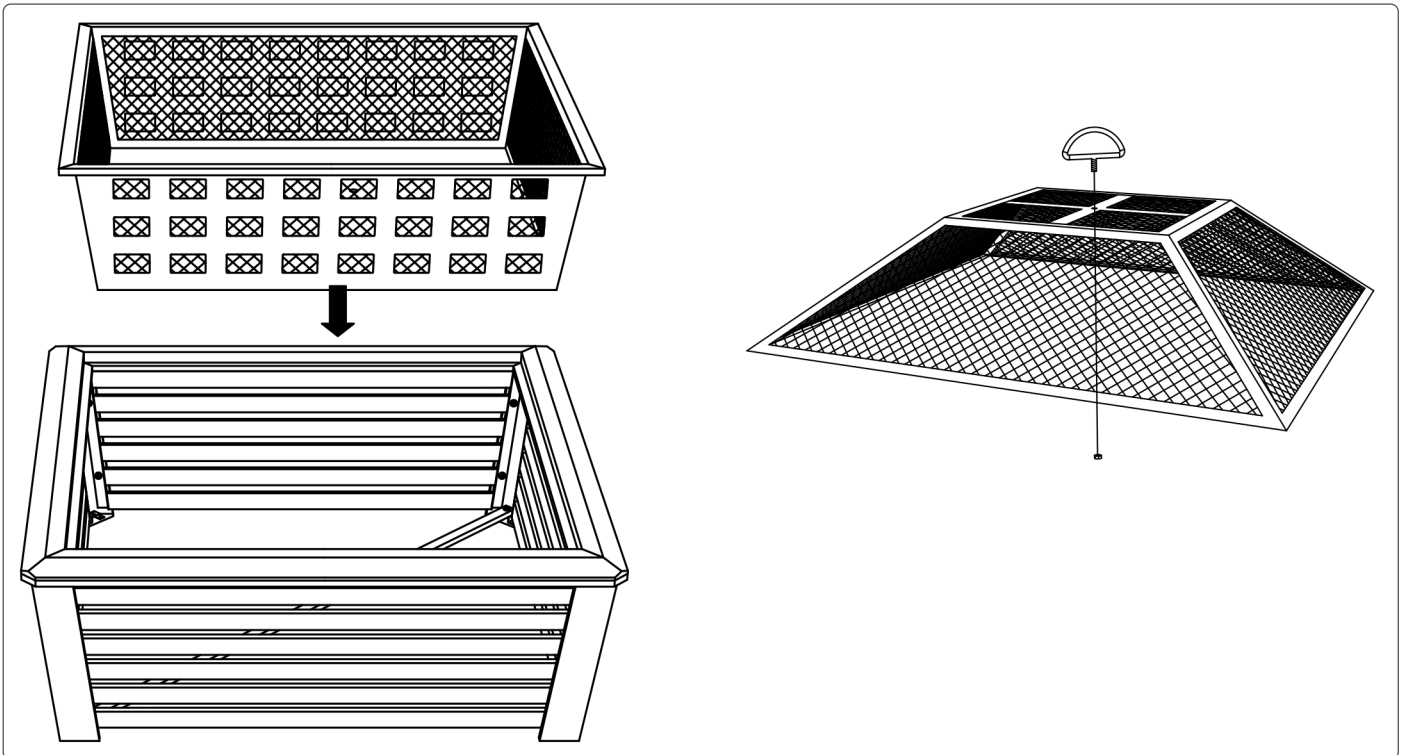
- **Step 2:** Attach the panels (G) to the legs (H) by using M6 x 10 mm bolts (BB).
- **Note:** Keep all bolts loose during the assembly of this step until all parts are installed into the correct position.



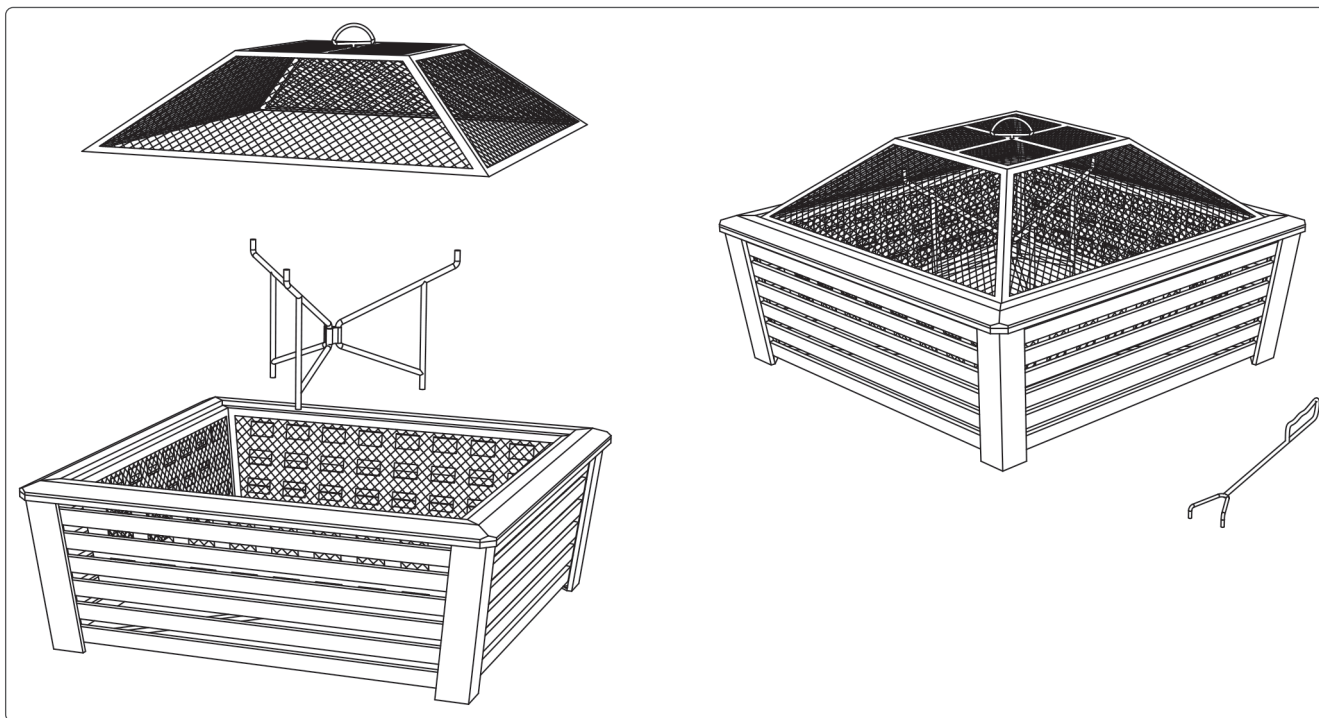
- **Step 3:** Attach the support frame (G) to the legs (H) by using M6 x 16 mm bolts (AA).
- **Note:** Tighten all the bolts.



- **Step 4:** Put the bowl (F) into the frame body (B). Insert the handle (A) into hole in the mesh cover (C) and tighten it with M6 Nut (CC).



- **Step 5:** Put the wood grate (D) into the fire bowl (F). Put the mesh cover (C) on the fire bowl (F). Keep the poker (A) near the fire pit for use anytime.



Environment Protection and Waste Protection and Electrical Equipment Regulations (WEEE)



Recycle unwanted packaging materials. When this product is no longer required, or has reached the end of its useful life, please dispose of it in an environmentally friendly way. Drain any fluids (if applicable) into approved containers, in accordance with local waste regulations. Under the Waste Batteries and Accumulators Regulations 2009, Jack Sealey would like to inform the user that this product contains one or more batteries. It is our policy to continually improve products and we reserve the right to alter data, specifications and parts without prior notice. No liability is accepted for incorrect use of this product. Guarantee is 12 months from purchase date, proof of which is required for any claim.



Dellonda Limited

Kempson Way, Suffolk Business Park, Bury St Edmunds, Suffolk. IP32 7AR



01284 757575



support@dellonda.co.uk



www.dellonda.co.uk