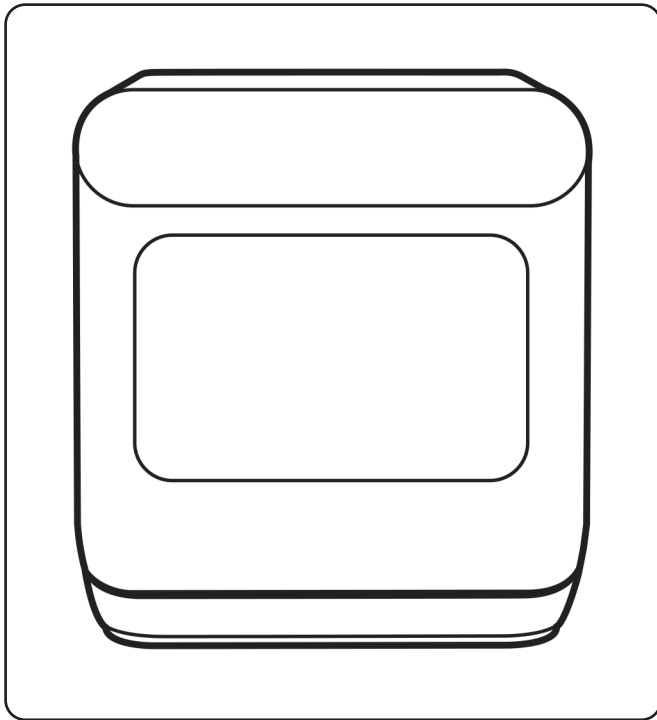


baridi

Dellonda 3 Place Settings Mini Portable Tabletop Dishwasher 7 Wash Functions



Model No. DH72

Thank you for purchasing a Baridi product from the Dellonda range. Manufactured to a high standard, this product will, if used according to these instructions, and properly maintained, give you years of trouble free performance.

CONTENTS

QUICK USER GUIDE	3
IMPORTANT SAFETY INFORMATION.....	5
INTRODUCTION	6
SPECIFICATION	6
INSTALLATION PREPARATION	6
ELECTRICAL CONNECTION	6
WATER CONNECTION.....	6
GENERAL USE.....	7
GETTING TO KNOW YOUR APPLIANCE.....	8
CONTROL PANEL.....	9
USING YOUR DISHWASHER.....	11
LOADING THE DISHWASHER BASKET.....	12
PROGRAMMING THE DISHWASHER.....	16
TURNING ON THE APPLIANCE.....	17
MAINTENANCE AND CLEANING.....	19
TROUBLESHOOTING TIPS.....	22
ERROR CODES.....	25
TECHNICAL INFORMATION.....	26

QUICK USER GUIDE

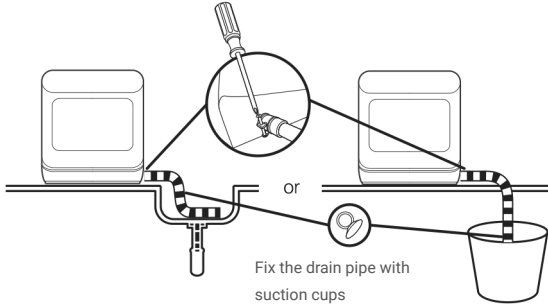
- Please read the corresponding content on the instruction manual for detailed operating method.

Connected to power supplies

The power supply is 220-240V AC 50Hz

The specification of the socket is 13A 250V AC

The connection of the drain pipe: Put end of the drain into a sink or bucket.



Add water into the dishwasher's tank

Note: Before adding water, you need to press the power button to turn the dishwasher on.

There are two ways to add water to the tank:

- 1 Connect the inlet hose to the tap.
- 2 Open the top cap and add water into the dishwasher's tank manually


There are two ways of showing if the water tank is either full or requires filling.

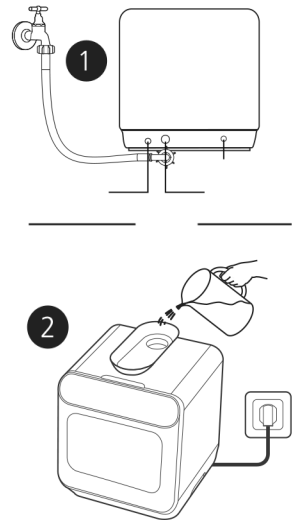
1. Before starting:

When the tank is full of water, the machine will beep quickly for 3 seconds.

2. After starting:

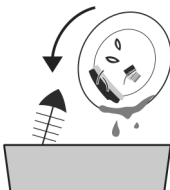
Not enough water. The  light will be illuminated;

Water tank is full. The  light will be off and the machine will beep quickly for 3 seconds.



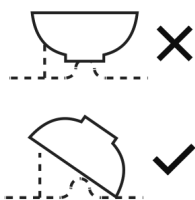
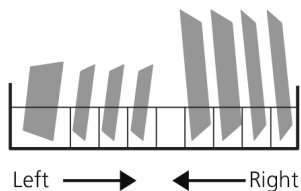
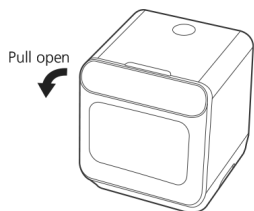
Remove the larger residue

Rinse and remove the large residue before adding to the dishwasher.

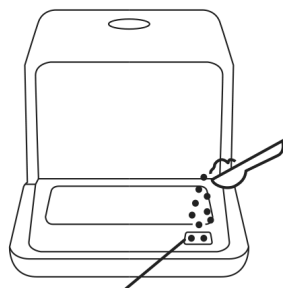


Open the door, placing the dishes and adding detergent in

Place the dishes in order of size from larger on the outside to smaller in the middle. Cutlery should be tilted to improve cleaning performance. The wash arm will be blocked with the improper placement of the cutlery and cleaning will be affected.

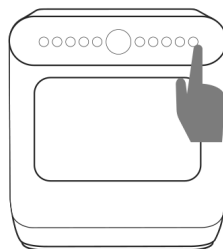
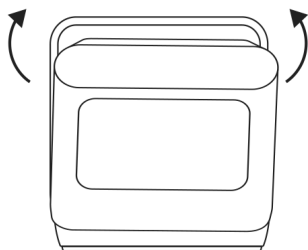


DO NOT place the dishwares facing up, place them facing down allowing the dirtiest face to face the spray arm for best cleaning performance.



Location for adding the detergent

Close the door, select the program and start the dishwasher



Important Information

Please read these instructions carefully and note any safe operational requirements, warnings & cautions. Use the product correctly and with care for the purpose for which it is intended. Failure to do so may cause damage and/or personal injury and will invalidate the warranty. Keep these instructions safe for future use.



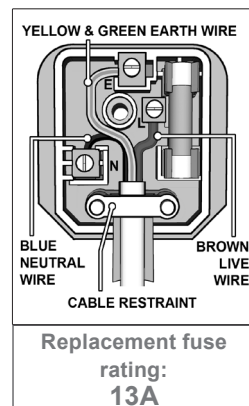
Refer to
instructions



Indoor use
only

• ELECTRICAL SAFETY

- **WARNING!** It is the user's responsibility to check the following:
 - Check all electrical equipment and appliances to ensure that they are safe before using. Inspect power supply leads, plugs and all electrical connections for wear and damage. Dellonda recommend that an (Residual Current Device) is used with all electrical products. You may obtain an RCD by contacting your local domestic stockist. If the product is used in the course of business duties, it must be maintained in a safe condition and routinely PAT (Portable Appliance Test) tested.
 - **Electrical safety information:** It is important that the following information is read and understood.
 - Ensure that the insulation on all cables and on the appliance is safe before connecting it to the power supply
 - Regularly inspect power supply cables and plugs for wear or damage and check all connections to ensure that they are secure.
 - **Important:** Ensure that the voltage rating on the appliance suits the power supply to be used and that the plug is fitted with the correct fuse - see fuse rating in these instructions.
 - **DO NOT** pull or carry the appliance by the power cable.
 - **DO NOT** pull the plug from the socket by the cable.
 - **DO NOT** use worn or damaged cables, plugs or connectors.
 - Ensure that any faulty item is repaired or replaced immediately by a qualified electrician.
 - This product is fitted with a BS1363/A 13 Amp
 - 3 pin plug. If the cable or plug is damaged during use, switch off the electricity supply and remove from use.
 - Ensure that repairs are carried out by a qualified electrician.
 - Replace a damaged plug with a BS1363/A 13 amp 3 pin plug.
 - If in doubt contact a qualified electrician.
 - Ensure that the cable outer sheath extends inside the cable restraint and that the restraint is tight.
 - Dellonda recommend that repairs are carried out by a qualified electrician.



- A) Connect the GREEN/YELLOW earth wire to the earth terminal 'E'.
- B) Connect the BROWN live wire to the live terminal 'L'.
- C) Connect the BLUE neutral wire to the neutral terminal 'N'

- **GENERAL SAFETY**

- **DO NOT** store explosive substances such as aerosol cans with a flammable propellant in this appliance.
- **WARNING:** Ensure the supply cord is not trapped or damaged.
- **WARNING: DO NOT** locate multiple portable socket-outlets or portable power supplies at the rear of the appliance.
- This appliance is intended to be used in household and similar applications such as staff kitchen areas in shops, offices and other working environments; holiday homes, hotels and other residential settings; and catering and similar non-retail applications.
- This appliance can be used by children aged from 8 years and above and persons with reduced physical, sensory or mental capabilities or lack of knowledge and experience if they have been given supervision or instruction concerning the use of the appliance in a safe way and understand the hazards involved. Children shall not play with the appliance. Cleaning and user maintenance shall not be made by children without supervision (EN60335-1).

- **INTRODUCTION**

- Freestanding tabletop dishwasher can be connected to water supply or run using built in water tank. Touch controls and LED display. 7 programmed wash cycles; Hygiene72°/Intensive/ECO/Glass/58min Wash/Rapid/Self-cleaning. Each cycle uses just 6L of water! 1-24hr Delayed start. Supplied with basket, adjustable silverware tray, 1.5m inlet water hose and 1.5m drain/waste hose.

- **SPECIFICATION**

- **Model no:**.....**DH72**
- Dimensions (WxDxH). 420 x 435 x 465mm
- Place settings..... 3
- Water usage..... 6L
- Water Pressure 0.04-1.0MPa
- Power rating 730-860W
- Voltage/frequency230V/50Hz
- IP Rating IPX1
- Energy efficiency Class.....F
- Noise level58dB
- Energy Consumption 0.446KWh/cycle

- **INSTALLATION PREPARATION**

- The installation position of dishwasher should be near the existing water inlet tap and drain outlet and power socket.
- One side of the cabinet sink should be chosen to facilitate the connection of drain hose of the dishwasher.
- Position the appliance in the desired location. The back should rest against the wall behind it, and the sides, along the adjacent cabinets or wall. The dishwasher is equipped with a water supply and drain hoses that can be positioned on either side to facilitate proper installation.

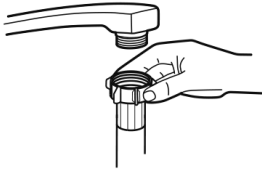
- **ELECTRICAL CONNECTION**

- Do not use this appliance on an extension cable or adaptor plug.
- Please look at the rating label to know the rating voltage and connect the dishwasher to the appropriate power supply. Use the required fuse 13 amp, time delay fuse or circuit breaker recommended and provide separate circuit serving only this appliance.
- Ensure the voltage and frequency of the power supply corresponds to those on the rating plate. Only insert the plug into an electrical socket which is earthed properly. If the electrical socket to which the appliance is connected is not appropriate, replace the socket, rather than using adaptors or connectors as they could cause overheating and risk of fire.

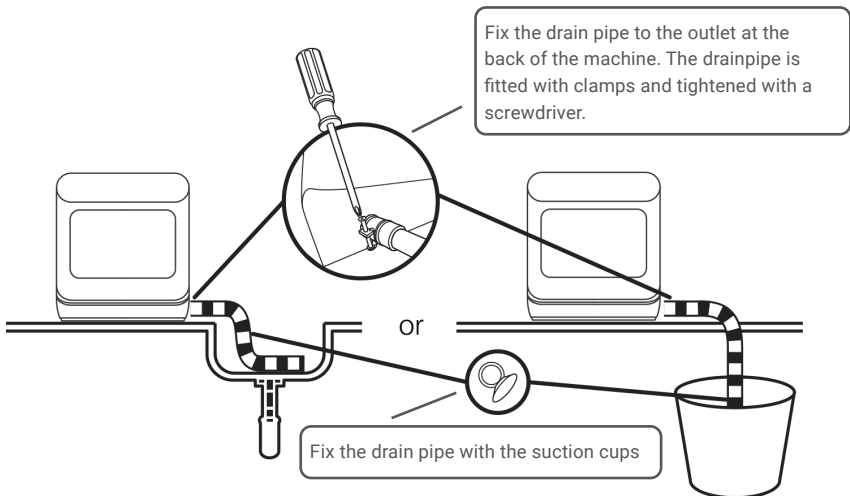
- **WATER CONNECTION**

- Connect the cold water supply hose to a threaded 3/4(inch) connector and make sure that it is fastened tightly in place.

- If the water pipes are new or have not been used for an extended period of time, let the water run to make sure that the water is clear and free of impurities. If this precaution is not taken, there is a risk that the water inlet can get blocked and damage the appliance.



- Please Note: If the supplied hose does not fit your tap, please contact your local plumbing supply centre to find a suitable adaptor.
- Connect the drain hose. Put the end of the drain hose into a sink or bucket.



- Water Outlet, connect the water drain hose. The drain hose must be correctly fitted to avoid water leaks. Ensure that the water drain hose is not kinked or squashed. If you need a drain hose extension, make sure to use a similar drain hose. It must be no longer than 4 metres, otherwise the cleaning effect of the dishwasher could be reduced.
- To drain the excess water from the hoses ensure the level of the sink or vessel the dishwasher is draining into is below the level of the outlet pipe from the appliance, this will ensure the dishwasher and any water in the pipe will drain fully.

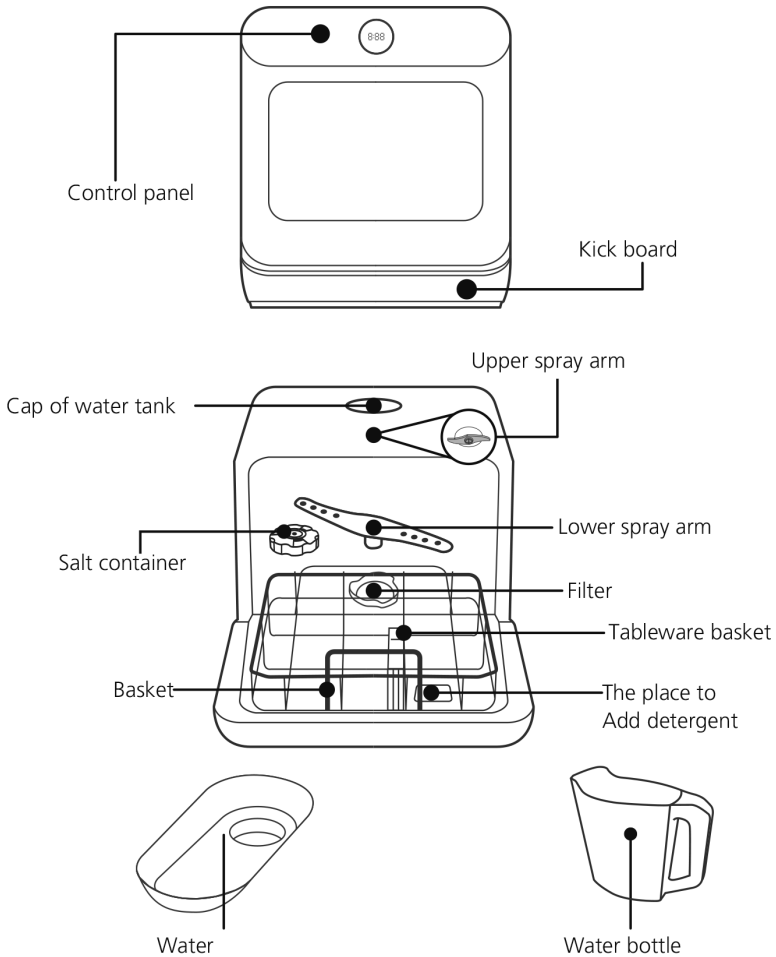
• GENERAL USE

- Do not abuse, sit on, or stand on the door or dish rack of the dishwasher.
- Do not operate your dishwasher unless all enclosure panels are properly in place.
- Open the door very carefully if the dishwasher is operating, there is a risk of water squirting out.
- Do not place any heavy objects on or stand on the door when it is open. The appliance could tip forward when loading items to be washed:
- Locate sharp items so that they are not likely to damage the door seal. Knives and other utensils with sharp points must be loaded in the basket with their points down or placed in a horizontal position.
- Check that the detergent powder is empty after completion of the wash cycle.
- Do not wash plastic items unless they are marked dishwasher safe or the equivalent.

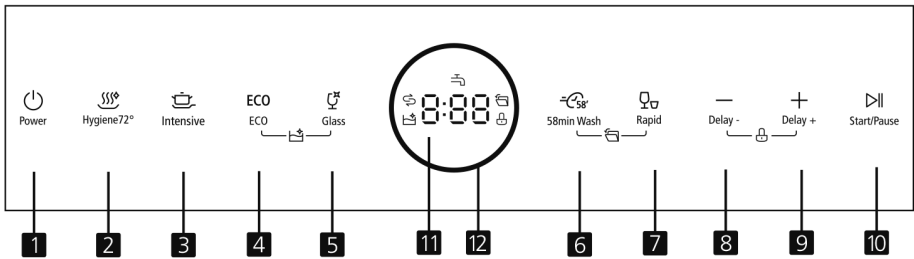
- For plastic items without mark, check the manufacturer's recommendations.
- Use only detergent additives designed for an automatic dishwasher.
- Never use soap, laundry detergent, or hand washing detergent in your dishwasher.
- Children should be supervised to ensure that they do not play with the appliance.
- The door should not be left open, since this could increase the risk of tripping.
- If the supply cord is damaged, it must be replaced by the manufacturer or its service agent or a similarly qualified person in order to avoid a hazard.
- During installation, the power supply must not be excessively or dangerously bent or flattened.
- Do not tamper with controls.
- The appliance is to be connected to the water mains using new hose sets and that old hose-sets should not be reused.
- The maximum number of place settings to be washed is 3.
- The maximum permissible inlet water pressure is 1MPa.
- The minimum permissible inlet water pressure is 0.04MPa.

• **GETTING TO KNOW YOUR APPLIANCE**

Dishwasher features














• CONTROL PANEL



Buttons

1 Power	To turn on and off.
2 Hygiene 72°	Press the button to select Hygiene 72° program.
3 Intensive	Press the button to select Intensive program. For heavily soiled items include pots and pans with dried-on food.
4 ECO	Press the button to select ECO program. This is the standard program suitable for normally soiled loads, such as pots, plates, glasses and lightly soiled pans.
5 Glass	Press the button to select Glass program. For lightly soiled crockery and glass. Press 4 and 5 together for 3 seconds to start self-clean program to provides an effective cleaning of the dishwasher itself.
6 58min wash	Press the button to select 58min wash program.
7 Rapid	Press the button to select Rapid wash program. A shorter wash for lightly soiled loads that do not need drying. Press 6 and 7 together for 3 seconds to switch on/off auto door opening function in all the programs.
8 Delay -	Press this button to reduce the delayed hours for washing. One press on this button reduce the delay of the start of washing by one hour.

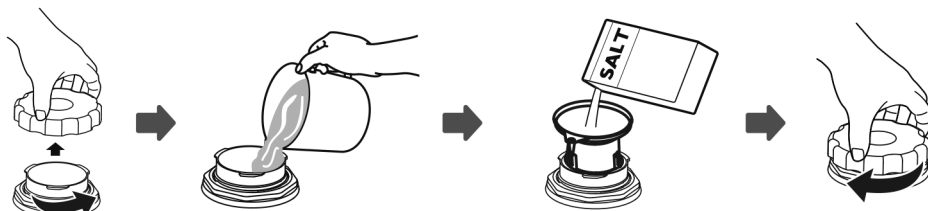
<p>9 Delay +</p>	<p>Press this button to set the delayed hours for washing. You can delay the start of washing up to 24 hours. One press on this button delays the start of washing by one hour.</p> <p>Press 8 and 9 together for 3 seconds to activate or inactivate child lock. Child lock allows you to lock the buttons except the Power button.</p>
<p>10 Start/Pause</p>	<p>To start the selected washing program or pause it when the dishwasher is working.</p>
<p>11 Screen</p>	<p> Digital Display To show the remaining time and delay time, functions, error codes etc.</p> <p> Salt If the “” indicator is lit, it means the dishwasher is low on dishwasher salt and needs to be refilled.</p> <p> Water Faucet If the “” indicator is lit, it means the water faucet closed.</p> <p> Auto Open If the “” indicator is lit, it means the door will open automatically for better drying.</p> <p> Child lock If the “” indicator is lit, it means the child lock is on.</p> <p> Self Clean If the “” indicator is lit, it means the self-clean program is running.</p>
<p>12 Light ring</p>	<p>The color of the ring will turn red if the water temperature is over 59 °C.</p>

• USING YOUR DISHWASHER

NOTE! If your model has no water softener, you can skip to the next section.

Loading the salt into the softener

- Always use salt intended for use with dishwasher.
- The salt container is located beneath the basket and should be filled as follows:



- A. Remove the basket and then unscrew and remove the cap from the salt container.
- B. Before first wash, add 1lt of water in the salt container of your machine.
- C. Place the end of the funnel (if supplied) into the hole and introduce about, 0.13kg of salt. It is normal for a small amount of water to come out of the salt container.
- D. After filling the container, screw the cap tightly back clockwise.
- E. Usually, the salt warning light will be cease to be illuminated within 2-6 days check the salt container has been filled with salt.
- F. Immediately after filling the salt into the salt container, a washing programme should be started (Suggest choose rapid program). Otherwise filter system, pump or other important parts of the machine may be damaged by salty water. This will not be covered by the warranty.

NOTE! The salt container must only be refilled when the salt warning light in the control panel comes on. Depending on how fully the salt dissolves, the salt warning light may still be on even though the salt container is filled.

If there is no salt warning light in the control panel (For some Models), you can judge when to load the salt into the softener by the cycles that the dishwasher had run. If there are spills of the salt, a soak or a rapid program should be run to remove the excess salt.

Adjusting the salt consumption

- Step 1: Enter the status of salt adjustment Close the door, within 60 seconds after power on, press button and hold for 5 seconds, the machine will enter setting mode
- Step 2: select a certain level of salt consumption. Press the button to select the proper setting according to your local environment, the sets will change in the following sequence: H1->H2->H3->H4->H5->H6.
- Step 3: Exit the status of salt adjustment. Without any operation in five seconds, the machine will exit from set mode, the machine is into standby mode.
- There are 6 levels of salt consumption in all. It is recommended to select the level according to below table:

WATER HARDNESS		Setting on the water softener	Digital display stalls	Salt consumption(gram/cycle)
°dH ¹⁾	Mmol/l ²⁾			
0 - 5	0 - 0.94	1	H1	0
6 - 11	1.0 - 2.0	2	H2	4
12 - 17	2.1 - 3.0	3 ³⁾	H3	8
18 - 22	3.1 - 4.0	4	H4	13
23 - 34	4.1 - 6.0	5	H5	20
35 - 55	6.1 - 9.8	6	H6	40

1) German degree of measurement for the water hardness

2) millimol, international unit for water hardness

3) factory setting

Contact your local water board for information on the hardness of your water supply.

• **LOADING THE DISHWASHER BASKETS**

- Consider buying utensils which are identified as dishwasher-proof.
- Use a mild detergent that is described as 'kind to dishes'. If necessary, seek further information from detergent manufacturers.
- For particular items, select a program with as low temperature as possible.
- To prevent damage, do not take glass and cutlery out of the dishwasher immediately after the program has ended.

Not suitable for use:

- Cutlery with wooden, horn, china or mother-of-pearl handles
- Plastic items that are not heat resistant
- Older cutlery with glued parts that are not temperature resistant
- Bonded cutlery items or dishes
- Pewter or copper items
- Crystal glass
- Steel items subject to rusting
- Wooden items
- Items made from synthetic fibres

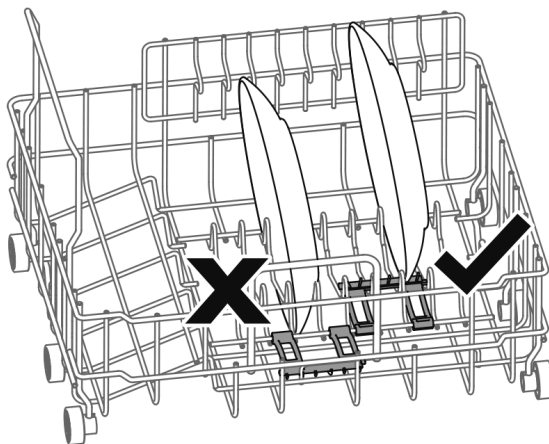
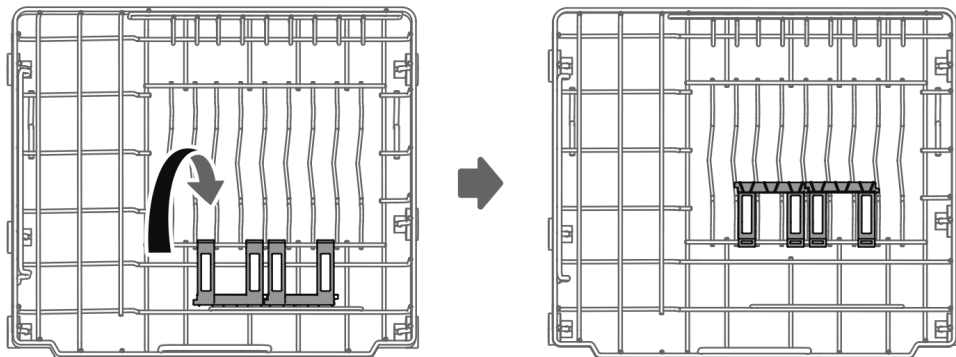
Limited suitability:

- Some glasses can become dull after a large number of washes.
- Silver and aluminium have a tendency to discolour during washing.
- Glazed patterns may fade if washed frequently.

- For the best performance of the dishwasher, follow these loading guidelines.
- Features and appearance of baskets and cutlery baskets may vary from your model.
- Scrape off any large food particles. Soften remnants of burnt food in pans. It is not necessary to rinse the dishes under running water. Place objects in the dishwasher in following way:
- Items such as cups, glasses, pots/pans, etc. should face downwards.
- Curved items, or those with recesses, should be loaded at an angle so that water can run off.
- All utensils are stacked securely and can not tip over.
- All utensils need to be placed in the way that the spray arms can rotate freely during washing.
- Load hollow items such as cups, glasses, pans etc. with the opening facing downwards so that water cannot collect in the container or a deep base.
- Dishes and items of cutlery must not lie inside one another, or cover each other.
- To avoid damage to glasses, they must not be placed in the appliance touching.
- Long bladed knives stored in an upright position are a potential hazard!
- Long and/or sharp items of cutlery such as carving knives must be positioned horizontally in the basket.
- Please do not overload your dishwasher. This is important for good results and for reasonable energy consumption.

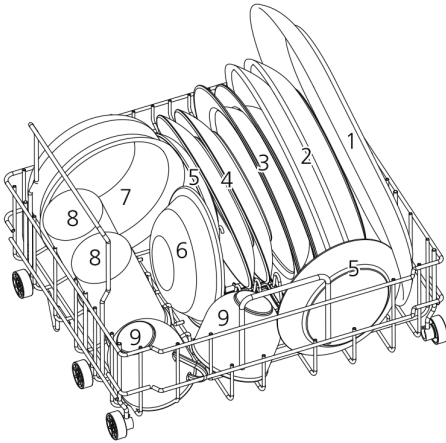
Using the dish ware support

- Small-size dish ware will drop through the basket and block the rotation of spray arm.
- Flip the dish ware support inward to support the small-size dish ware



Loading the basket

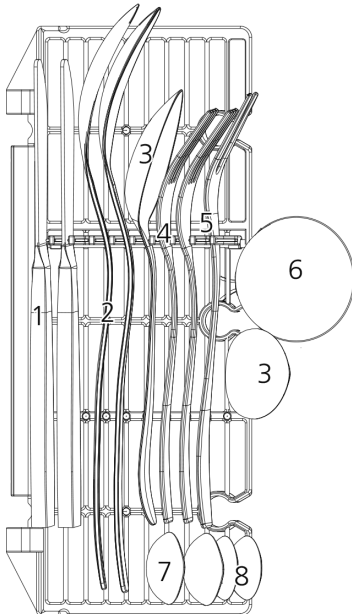
- Position the dishes and cookware so that they will not get moved by the spray of water.



Number	Item
1	Oval Plate
2	Dinner Plate
3	Soup Plate
4	Dessert Dish
5	Saucer
6	Small Serving Bowl
7	Medium Serving Bowl
8	Glass
9	Cup

Loading the cutlery basket

- Position the dishes and cookware so that they will not get moved by the spray of water.
- For personal safety and a top quality clean, make sure place the silverware in the basket as shown in the illustration shown below so that do not nest together.
- Place silverware with handles-down.
- But place knives and other potentially dangerous utensils handles-up.



Number	Item
1	Knife
2	Serving spoon
3	Soup spoon
4	Fork
5	Serving fork
6	Gravy ladle
7	Dessert spoon
8	Tea spoon

Adding detergent

• Concentrated Detergent

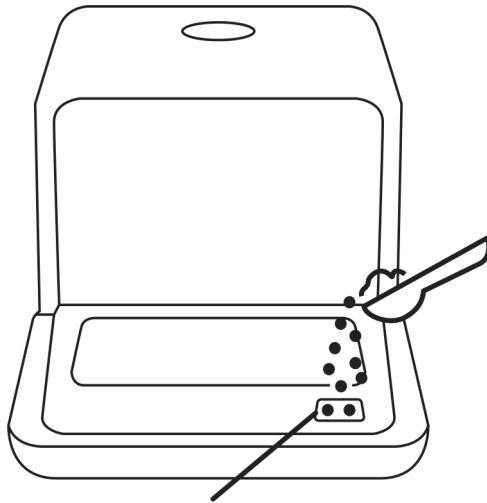
- Based on their chemical composition, detergents can be split in two basic types:
- Conventional, alkaline detergents with caustic components.
- Low alkaline concentrated detergents with natural enzymes.
- The use of a normal washing program in combination with concentrated detergent reduces pollution and is good for your dishes.

• Detergent Tablets

- Detergent tablets of different brands dissolve at different speeds. For this reason some detergent tablets cannot dissolve and develop their full cleaning power during short programs. Therefore please use long programs when using detergent tablets, to ensure the complete removal of detergent residuals.

• Detergent

- The detergent must be refilled before the start of each wash cycle following the instructions provided in the Wash Cycle Table. Your dishwasher uses less detergent than a conventional dishwasher. Generally, only one tablespoon of detergent is needed for a normal wash load. More heavily soiled items need more detergent.
- Always add the detergent just before starting the dishwasher, otherwise it could get damp and will not dissolve properly.



Location for adding the detergent

WARNING! Only use detergent specifically for dishwashers.
Never use any other detergents this will damage the appliance.









Dishwasher detergent is corrosive!
Keep dishwasher detergent out of the reach of children.

• PROGRAMMING THE DISHWASHER

Wash cycle table according to EN60436.

- The table below shows the best programmes for the levels of food residue and how much detergent is needed. It also shows various information about the programmes

Program	Cycle Selection Information	Description Of Cycle	Detergent	Time (min)	Energy (Kwh)	Water (L)
ECO (*EN60436)	The standard programme, suitable to clean normally soiled tableware and is the most efficient programme in terms of its combined energy and water consumption for that type of tableware.	Wash (55 °C) Rinse Rinse (70 °C) Drying	11 g	155	0.446	6.0
 Hygiene 72°	Use to sanitize your dishes and glassware. Maintains the water temperature at around 72 °C.	Wash(70 °C) Rinse Rinse(72 °C) Drying	11 g	115	0.590	6.0
 Intensive	For heavily soiled items include pots and pans with dried-on food.	Wash (62 °C) Rinse Rinse (70 °C) Drying	11 g	160	0.580	6.0
 Glass	For lightly soiled loads, such as glasses, crystal and fine china	Wash(50 °C) Rinse Rinse(65 °C) Drying	11 g	85	0.380	6.0
 58min Wash	For normally soiled loads that need quick wash.	Wash(55 °C) Rinse Rinse(65 °C) Drying	11 g	58	0.390	6.0
 Rapid	A shorter wash for lightly soiled loads that do not need drying.	Wash (50 °C) Rinse Rinse (60 °C)	11 g	29	0.290	6.0
 Self-cleaning	To provides an effective cleaning of the dishwasher itself	Wash (60 °C) Rinse Rinse (70 °C)	11 g	65	0.430	6.0

NOTE! : **ECO** This program is the test cycle. The information for
(*EN60436) comparability test in accordance with EN60436

• TURNING ON THE APPLIANCE

Starting a wash cycle

- Pull out the basket (see the section entitled "Loading the Dishwasher").
- Pour in the detergent (see the section "Adding the detergent").
- Insert the plug into the socket.
- Press the power button to turn on the appliance,
- Connect the inlet hose to the tap, make sure that the water supply is turned on to full pressure, or add water to the tank manually.
- Select a suitable program according to the "Wash cycle table"; If a program is selected, the corresponding light will be lit. Then press the Start/Pause button, the dishwasher will start.

NOTE! When you press the Start/Reset button to pause during washing, the dishwasher will beep every minute unless you press the Start/Reset button to start.

Change the programme

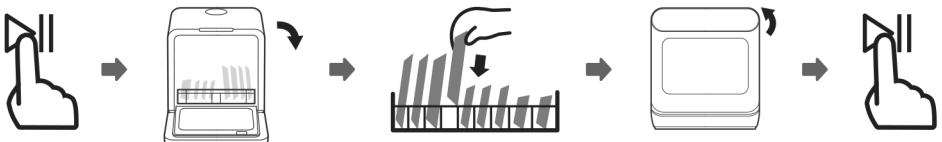
- How to interrupt/modify the wash program, if the dishwasher has only run for a short time. Otherwise, the detergent may have already been released, and the appliance may have already drained the wash water, in this case the cycle must be restarted.
- Press Start/Pause Button to pause the machine when the door is closed.
- Press Program Button for more than 3 seconds the machine will be in stand-by mode, then you can change the program to the desired cycle (see the section entitled "Starting a wash program").
The Display window shows the state of the dishwasher:
 - a) Display window shows "-:--" -----> stand by;
 - b) Display window shows "H:MM" and not blinking -----> pause;
 - c) Display window shows "H:MM" and blinking -----> run;
 - d) Display window shows "END" -----> end.

NOTE! If you open the door during washing, the machine will pause. When you and press the Start/Pause Button, the machine will restart after 10 seconds.

- If your model has the power interruption function, the machine will go on to finish the selected program after the power cut.

Forgot to add a dish

- A forgotten dish can be added any time before the detergent dispenser opens. If this is the case, follow the instructions below:
 1. Press the Start/Pause button.
 2. Open the door.
 3. Add forgotten dishes.
 4. Close the door.
 - 5 Press the Start/Pause button, the dishwasher will run



At the end of a wash cycle

- When the working cycle has finished, the buzzer will sound for 8 seconds, then stop. Turn off the appliance using the ON/OFF button, shut off the water supply and open the door of the dishwasher. Wait a few minutes before unloading the dishwasher to avoid scalding, the dishes and utensils are still hot and more susceptible to breakage. They will also dry better.
- **Switch Off the Dishwasher**
- 1. Switch off the dishwasher by pressing the ON/OFF button.
- 2. Turn off the water tap.
- **Open the door carefully**
- Hot dishes are sensitive to knocks. The dishes should be allowed to cool down for around 15 minutes before removing from the appliance.
- Open the dishwasher's door, leave it open and wait a few minutes before removing the dishes. In this way they will be cooler and the drying will be improved.
- **Unloading the dishwasher**
- It is normal that the dishwasher is wet inside.

WARNING!

It is dangerous to open the door when washing, because the hot water may scald you.

Forced drainage operation

- In standby mode, you can press and hold the "Hygiene" button + "Rapid" button for 3 seconds simultaneously to drain the water tank.

• MAINTENANCE AND CLEANING

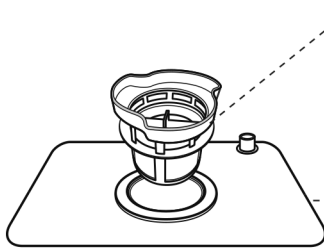
Filter system

WARNING!

- **Never use the dishwasher without filters!**
- **Make sure the filters is properly assembled.**

The performance may be affected and dishes and utensils could become damaged

- The filter efficiently removes food particles from the wash water, allowing it to be recycled during the cycle.
- For best performance and results, the filter assembly must be cleaned regularly, For this reason, it is a good idea to move the larger food particles trapping in he filter after each wash cycle by rinsing the filter and cup under running water. To remove the filter assembly, rotate the filter handle anticlockwise and then (see step 1 and 2)



• **B. Fine filter**

This filter holds soil and food residues in the sump area and prevents it from being deposited on the dishes during wash cycle.

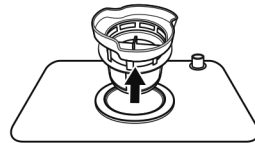
• **A. Main filter**

Food and soil particles trapped in this filter are pulverized by a special jet on the lower spray arm and washed down to drain.

Step 1: Contrarotate the filter assembly, then lift it all up.



Step 2: Lift fine filter up from main filter.



NOTE! Following the process from step1 to step 2 will remove the filter from the appliance, whilst following the process from Step 2 to Step 1 will install the filter in appliance. The entire filter assembly should be removed and cleaned once a week.

- Inspect the filters for blockages after each time the dishwasher has been used.
- By unscrewing the coarse filter, you can remove the filter system. Remove any food remnants and clean the filters under running water.

WARNING!

When cleaning the filters, be careful, if they become damaged the performance of dishwasher could be affected.

Caring for the dishwasher

- The control panel can be cleaned by using a lightly dampened cloth. After cleaning, make sure to dry it thoroughly. For the exterior use a good appliance polish wax. Never use sharp objects, scouring pads or harsh cleaners on any part of the dishwasher.
- Caring for the Dishwasher
- **Cleaning The Door**
- To clean the edge around the door, you should use only a soft warm, damp cloth.
- To avoid penetration of water into the door lock and electrical components, do not use a spray cleaner of any kind.

WARNING!

Never use a spray cleaner to clean the door panel as it may damage the door lock and electrical components.

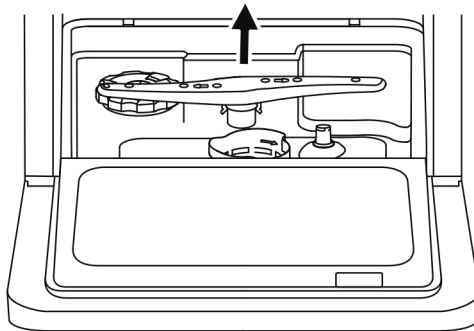
Protect against freezing

- Please take frost protection measures on the dishwasher in winter. Each time after washing cycles, please operate as follows.
- 1. Cut off electrical power to the dishwasher.
- 2. Turn off the water supply and disconnect the water inlet pipe from the water valve.
- 3. Drain water from the inlet pipe and water valve (Use a pan to catch the water).
- 4. Reconnect the water inlet pipe to the water valve.
- 5. Remove the filter at the bottom of the tub and use a sponge to soak up water in the sump.

NOTE! If the dishwasher will not work due to ice, contact an authorised service person.

Cleaning the spray arms

- The spray arms can easily be removed to periodic cleaning of the nozzles to prevent possible clogging. Wash them under running water and carefully replace them in their seats, checking that the rotary movement is in no way impeded.
- Grasp the middle of the spray arm, pull it upwards to remove it. Wash the arms under a jet of running water and replace it carefully. After reassembly check that the spray arms rotate freely. If not check they have been installed correctly.



How to keep your dishwasher in shape

After every wash.

- After every wash, turn off the water supply to the appliance and leave the door slightly open so that moisture and odours are not trapped inside.

Remove the plug. Before cleaning or performing maintenance, always remove the plug from the socket.

No solvents or abrasive cleaning.

- To clean the exterior and rubber parts of the dishwasher, do not use solvents or abrasive cleaning products. Only use a cloth with warm soapy water. To remove spots or stains from the surface of the interior, use a cloth dampened with water and a little vinegar, or a cleaning product made specifically for dishwashers

When not in use over a long period.

- It is recommended that you run a wash cycle with the dishwasher empty and then remove the plug from the socket, leave the door of the appliance open. This will help the door seals to last longer and prevent odours from forming within the appliance.

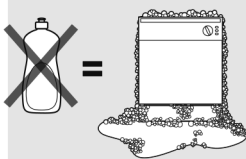
Moving the appliance.

- If the appliance must be moved, try to keep it in the vertical position. If absolutely necessary, it can be positioned on its back.

• **TROUBLESHOOTING TIPS**

• **Before calling for service**

• Reviewing the charts on the following pages may save you from calling for service.

Problem	Possible Causes	What To Do
Dishwasher doesn't start	Fuse blown, or the circuit break tripped.	Replace fuse or reset circuit breaker. Remove any other appliances sharing the same circuit with the dishwasher.
	Power supply is not turned on.	Make sure the dishwasher is turned on and the door is closed securely. Make sure the power cord is properly plugged into the wall socket.
	Error code:E1; Water pressure is low	Check that the water supply is connected properly and the water is turned on.
	Door of dishwasher not properly closed.	Make sure to close the door properly and latch it.
Water not pumped form dishwasher	Twisted or trapped drain hose.	Check the drain hose.
	Filter clogged.	Check coarse the filter.
	Kitchen sink clogged.	Check the kitchen sink to make sure it is draining well.If the problem is the kitchen sink that is not draining, you may need a plumber rather than a serviceman for dishwashers.
Suds in the tub	Wrong detergent. 	Use only the dedicated dishwasher detergent to avoid suds. If suds exist in the washer. Open the door for 20-30 minutes to allow the foam to evaporate. If the foam still exists in the liner. Add 1.5L of water to the liner, close the dishwasher door and run a forced drain to drain it with the water. Repeat above operation until the foam is cleared.

Problem	Possible Causes	What To Do
Stained tub interior	Detergent with colourant may have been used.	Make sure that the detergent has no colourant.
White film on inside surface	Hard water minerals.	To clean the interior, use a damp sponge with dishwasher detergent and wear rubber gloves. Never use any other cleaner than dishwasher detergent otherwise, it may cause foaming or suds.
There are rust stains on cutlery	The affected items resistant.	Avoid washing items that are not corrosion resistant in the dishwasher .
	A programme was not run after dishwasher salt was added. Traces of salt have gotten into the wash cycle.	Always run a wash programme without any crockery after adding salt.
	The lid of the softer is loose.	Check the softener lid is secure.
Knocking noise in the dishwasher	A spray arm is knocking against an item in a basket	Interrupt the programme and rearrange the items which are obstructing the spray arm.
Rattling noise in the dishwasher	Items of crockery are loose in the dishwasher.	Interrupt the programme and rearrange the items of crockery.
Knocking noise in the water pipes	This may be caused by on-site installation or the cross-section of the piping.	This has no influence on the dishwasher function. If in doubt, contact a qualified plumber.
The dishes are not clean	The dishes were not loaded correctly.	See notes in "Loading & unloading your dishwasher".
	The programme was not powerful enough.	Select a more intensive programme.

Problem	Possible Causes	What To Do
The dishes are not clean.	Not enough detergent was dispensed.	Use more detergent, or change your detergent.
	Items are blocking the movement of the spray arms.	Rearrange the items so that the spray can rotate freely .
	The filter combination is not clean or is not correctly fitted in the base of washcabinet. This may cause the spray arm jets to get blocked.	Clean and/or fit the filter correctly Clean the spray arm jets.
Cloudiness on glassware.	Combination of soft water and too much detergent.	Use less detergent if you have soft water and select a shorter cycle to wash the glassware and to get them clean.
White spots appear on dishes and glasses.	Hard water area can cause limescale deposits.	Add more detergent.
Black or grey marks on dishes	Aluminium utensils have rubbed against dishes	Use a mild abrasive cleaner to eliminate those marks.
The dishes are not drying	Improper loading	Load the dishwasher as suggested in the directions.
	Dishes are removed too soon	Do not empty your dishwasher immediately after washing. Open the door slightly so that the steam can come out. Take out the dishes until the inside temperature is safe to touch. Unload the lower basket first to prevent the dropping water from the upper basket.

Problem	Possible Causes	What To Do
The dishes are not drying	Wrong program has been selected.	With a short programme, the washing temperature is lower, decreasing cleaning performance. Choose a programme with a long washing time.
	Use of cutlery with a low-quality coating.	Water drainage is more difficult with these items. Cutlery or dishes of this type are not suitable for washing in the dishwasher.

• ERROR CODES

- When some malfunctions come on, the appliance will display error codes to warn you.

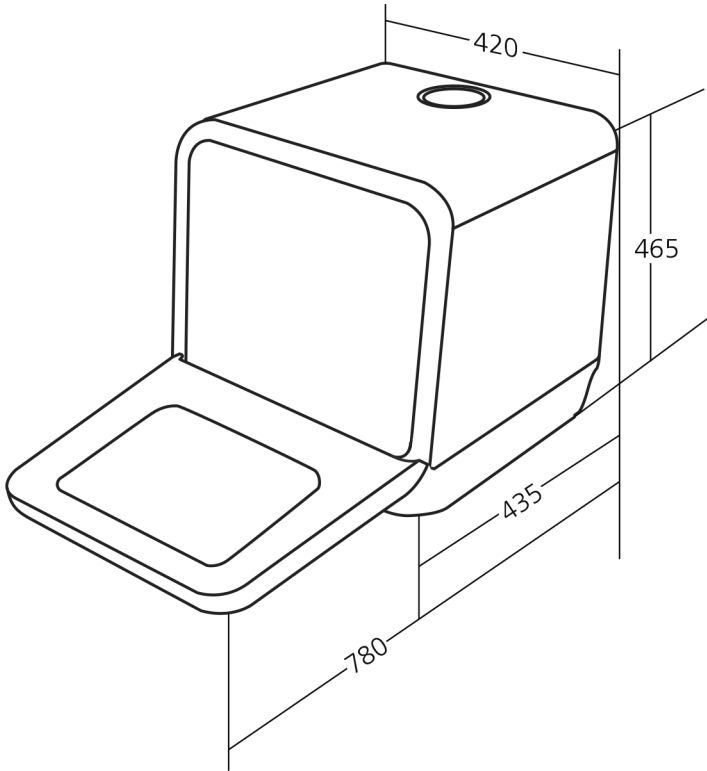
Codes	Meanings	Possible Causes
E1	Longer inlet time.	A flow meter, drain valve, or pump failure, it should be repaired by a qualified worker.
E3	Not reaching required temperature	Heating tube or thermistor anomaly, it should be repaired by a qualified worker.
E4	Overflow.	Some element of dishwasher leaks.
E6	Communication anomaly	It should be repaired by a qualified worker.

WARNING!

If the appliance overflows, turn off the mains water supply before calling customer service.

If there is water in the base pan of the appliance because of an overflow or small leak, the water should be removed before restarting the dishwasher

• TECHNICAL INFORMATION



Height	465mm
Width	420mm
Depth	435mm
Voltage connected Load	see rating label
Water pressure	0.04 - 1.0MPa
Power supply	see rating label
Capacity	3 place settings(EN-60436)

Product information sheet (EN60436).**Supplier's name or trade mark:** baridi**Supplier's address (b):** Dellonda Ltd. Kempson Way, Bury St Edmunds. Suffolk IP32 7AR**Model identifier:** DH72**General product parameters:**

Parameter	Value	Parameter	Value	
Rated capacity (a) (ps)	3	Dimensions in cm	Height	46,5
			Width	42,0
			Depth	43,5
EEl (a)	61,9	Energy efficiency class (a)	F (c)	
Cleaning performance index (a)	1,13	Drying performance index (a)	0,87	
Energy consumption in kWh [per cycle], based on the eco programme using cold water fill. Actual energy consumption will depend on how the appliance is used.	0,446	Water consumption in litres [per cycle], based on the eco program. Actual water consumption will depend on how the appliance is used and on the hardness of the water.	6,0	
Program duration (a) (h:min)	2:35	Type	Free standing	
Airborne acoustical noise emissions (a) (dB(A) re 1 pW)	58	Airborne acoustical noise emission class (a)	D (c)	
Off-mode (W)	0,49	Standby mode (W)	N/A	
Delay start (W) (if applicable)	1,00	Networked standby (W) (if applicable)	N/A	

Minimum duration of the guarantee offered by the supplier (b): 12 Months (from date of purchase)**Additional information:**Weblink to the supplier's website, where the information in point 6 of Annex II to Commission Regulation (EU) 2019/2022 (1) (b) is found: www.dellonda.co.uk

- (a) for the eco program.
(b) changes to these items shall not be considered relevant for the purposes of paragraph 4 of Article 4 of Regulation (EU) 2017/1369.
(c) if the product database automatically generates the definitive content of this cell the supplier shall not enter these data.

(1) Commission Regulation (EU) 2019/2022 of 1 October 2019 laying down eco design requirements for household dishwashers pursuant to Directive 2009/125/EC of the European Parliament and of the Council amending Commission Regulation (EC) No 1275/2008 and repealing Commission Regulation (EU) No 1016/2010 (see page 267 of this Official Journal).



Environment Protection, Waste Electrical and Waste Electronic Equipment Regulations (WEEE)

Recycle unwanted packaging materials. When this product is no longer required, or has reached the end of its useful life, please dispose of in an environmentally friendly way. Drain any fluids (if applicable) into approved containers, in accordance with local waste regulations. It is our policy to continually improve products and we reserve the right to alter data, specifications and parts without prior notice. No liability is accepted for incorrect use of this product. Guarantee is 12 months from purchase date, proof of which is required for any claim.

Dellonda Limited, Sole UK Distributor of Baridi

Kempson Way, Suffolk Business Park, Bury St Edmunds, Suffolk. IP32 7AR



01284 757575



support@dellonda.co.uk



www.dellonda.co.uk