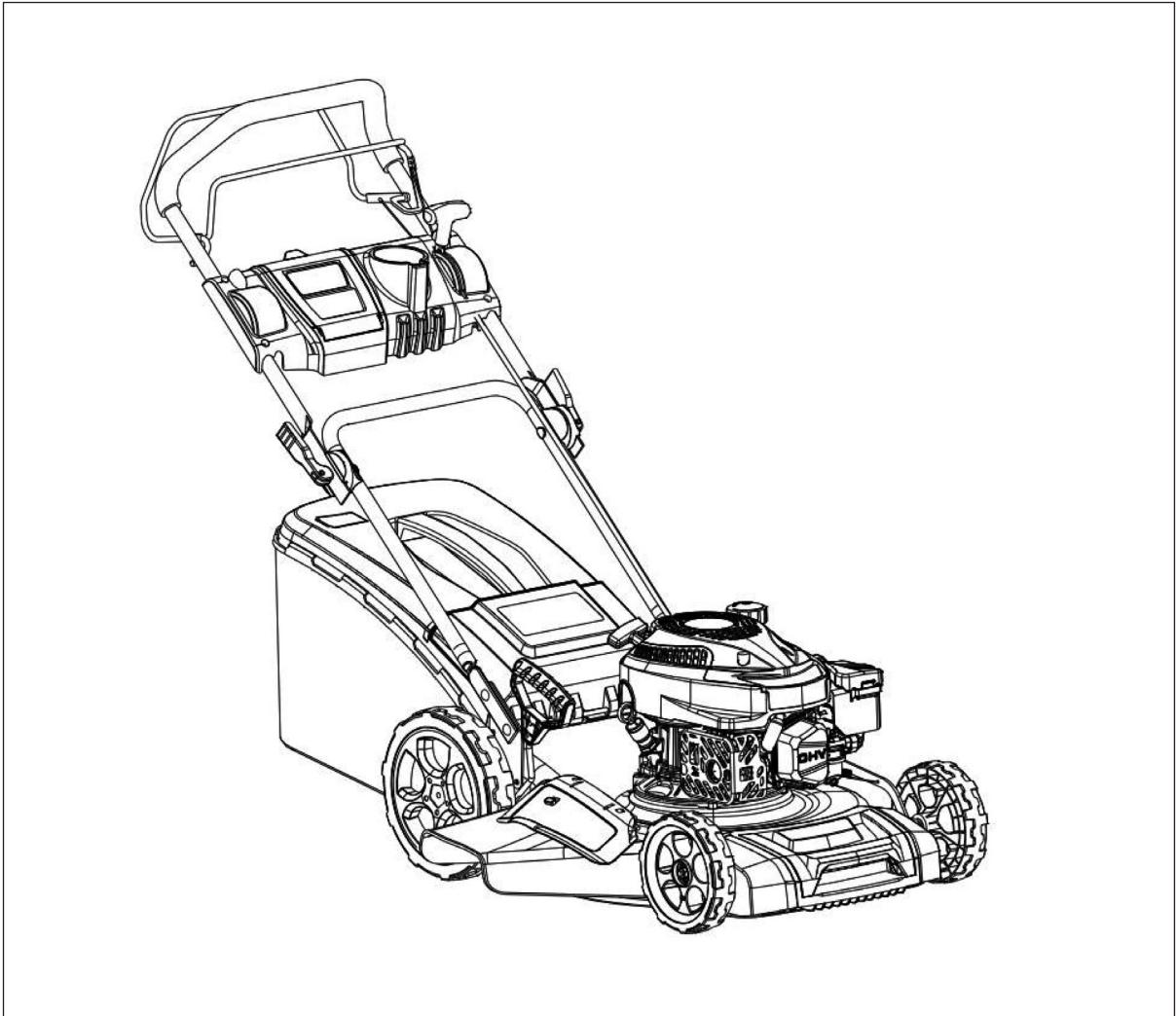




Self-Propelled Petrol Lawnmower Grass Cutter 144cc 18"/46cm 4-Stroke Engine











Model No. DG101

Thank you for purchasing a Dellonda product. Manufactured to a high standard, this product will, if used according to these instructions, and properly maintained, give you years of trouble free performance.

Important Information

Please read these instructions carefully. Note the safe operational requirements, warnings & cautions. Use the product correctly and with care for the purpose for which it is intended. Failure to do so may cause damage and/or personal injury and will invalidate the warranty. Keep these instructions safe for future use.

Warning! Live electrical parts	Warning! Ejected objects	Warning! Keep hands and feet away from the blades	Warning! Hot surfaces	Remove spark plug connection before performing maintenance	Wear Safety Footwear
					 
Read manual before use	Warning! Keep bystanders away	Warning! Keep away from moving parts.	Warning! DO NOT operate on slopes	Wear ear protection	

Safety Instructions

- ✓ Read and fully understand instruction manual before using the lawnmower. Retain manual for future use and future users.
 - ✓ Users must be fully trained before using lawnmower.
 - **WARNING!** Keep hands and feet away from moving blades. Be aware of the danger of being drawn in by moving parts.
 - **WARNING!** Be aware of live electrical parts and hot surfaces.
 - ✓ Suitable/protective clothing (long trousers) and appropriate PPE must be worn: ear protection, safety, slip resistant footwear.
 - * **DO NOT** use whilst tired, ill or under the influence of alcohol or other drugs.
 - * **DO NOT** use indoors or an unventilated area due to danger from exhaust fumes.
 - ✓ **ALWAYS** inspect and risk assess the area to be worked prior to mowing. Review for items such as foreign objects (stones, toys, wires sticks, bones), slope, ditches, drop-offs.
 - * **DO NOT** use the mower on slopes. Be aware of the risk of overturning on too steep a slope. **DO NOT** use where the gradient is more than 20° or motor seizure may occur. Always 'travel' along slope contours not up and down slopes.
 - ✓ **ALWAYS** inspect the unit prior to use for loose fittings, fatigue and damage.
 - * **DO NOT** add fuel while the engine is running or the mower is hot. Only add fuel in a well ventilated location. Remove all sources of ignition.
 - ✓ Check oil level before first/use.
 - ✓ **ALWAYS** keep bystanders and pets at a safe distance from the mower when in use.
 - ✓ Only use the lawnmower when there is good visibility (daylight or good artificial light.)
 - * **DO NOT** use the mower without either the grass bag or deflector fitted.
 - * **DO NOT** use the mower if there is a risk of lightning.
 - * **DO NOT** use in the rain.
 - * **DO NOT** leave the mower running without supervision.
 - ✓ Allow the unit to cool down completely before moving or storing.
 - ✓ Before carrying out any maintenance or adjustments, turn off the engine and disconnect the spark plug. Ensure all moving parts have come to a complete standstill and cannot start again unexpectedly.
 - ✓ Use genuine replacement parts only.
 - ✓ Keep the lawnmower in good operating condition and perform regular maintenance. Keep lawnmower clean.
 - ✓ Check for and replace worn or damaged parts.
 - * **DO NOT** modify the lawnmower in any way. **DO NOT** tamper with or modify safety features in any way.
- NOTE:** This appliance can be used by children aged from 8 years and above and persons with reduced physical, sensory or mental capabilities or lack of experience and knowledge if they have been given supervision or instruction concerning use of the appliance in a safe way and understand the hazards involved. Children shall not play with the appliance. Cleaning and user maintenance shall not be made by children without supervision.

About the Product

Powerful RATO 144cc 4-stroke engine with recoil pull start. Self-propelled drive system reduces fatigue and makes mowing your lawn effortless. 46cm (18") Cutting width, perfect for accurate and efficient cutting of medium to large gardens. Easy 1-lever height adjustment system with eight height variations ranging from 25-70mm. Rear discharge with 65L grass collection bag. Soft grip handles for comfort during use and folding handles for easy storage. Speed control lever.

Assembly

Item	Description
1	Start/ brake lever
2	Travel lever
3	Travel speed control
4	Handle (Top)
5	Handle fixing screw with Quick Coupler
6	Handle (Bottom)
7	Fuel tank cap
8	Air filter cover
9	Side deflector
10	Cap (c/w Oil dipstick)
11	Height adjustment lever
12	Grass cover for rear deflector
13	Handle panel

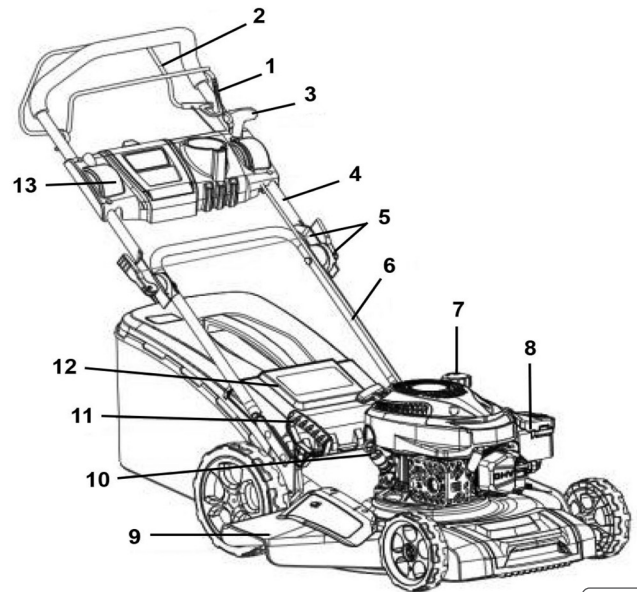


Fig.1

Assembling the handle

- **NOTE:** Carefully unfold the lawnmower handle, taking care not to pinch or damage the lawnmowers control cables.
- Lift the Handle panel (part 13) with cup holder away from the unit and sit on the floor ensuring not to pinch or damage the travel speed cable.
- Identify the control lever assembly Items 1 and 2 from the parts list, refer to the diagram below to on how to rotate and position parts 1.4 and 1.6 together and secure in place with the quick coupler.
- Offer into place the complete handle assembly (without the handle panel 13). We suggest you fit the handle onto the outside of the fixing position bracket, line up the holes and pass the 4 bolts through the holes and loosely fix the nuts on the inside face (fully tighten all fixings at the end of assembly).
- Once the handle is bolted to the mower lift the handle panel (13) up and place it onto the handle assembly use the screws already in the handle arms to screw into place, ensure all the cables are free, not obstructed or wrapped around the handle.
- Use the two cable management clips to neatly arrange the control cables onto the handle assembly. Make sure they are not kinked and can all move freely.

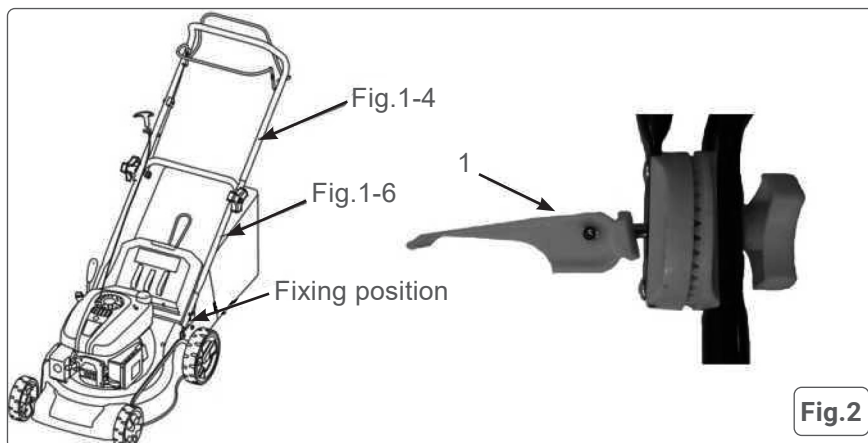


Fig.2

Assembling the Grass Catcher

- Clip the plastic hooks at the end of the textile part of the grass catcher to the metal frame (Fig.3).
- The catcher is fitted with a 'Full' indicator flap. When the flap on the catcher closes, the bag needs to be emptied.

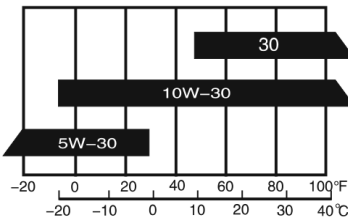


Fig.3

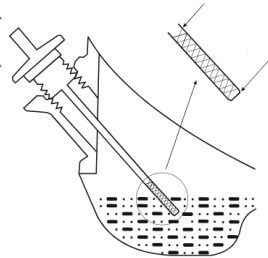
Preparation

- **OIL LEVEL - Note: THE UNIT IS SUPPLIED WITHOUT ENGINE OIL.**
- Remove the oil filler cap (Red/Orange) by rotating to the left, Use any good **SAE30** or **SAE15W-30** oil, try to buy one with an extendible filler nozzle or use a suitable funnel to avoid spillage. Approximately 350-400ml of oil will be required on first filling, Constantly check the dipstick until the correct level is achieved. Screw the dipstick in each time carefully and remove the opposite way, wipe the dipstick clean each time to ensure an accurate reading. **Do not** over-fill.
- Before each use, unscrew the dipstick and check oil level. (Fig.1.6, Fig.3). Top up if necessary.
- Markings on the dipstick indicate maximum and minimum oil levels.

SAE Oil recommendation



Oil level reading



Oil filler location



Fig.3

- **FUEL LEVEL - Note:** The unit is supplied without fuel. The tank holds a maximum of 1 litre.
- Recommended fuel is lead free and at least 95 octane.
- **WARNING: DO NOT** overfill the fuel.
- **WARNING: DO NOT** add fuel when the engine is either running or mower is hot.

Operation/Starting the mower

NOTE: Read and fully understand the safety instructions before using this lawnmower.

- **WARNING:** Turn mower off before making any adjustment or adding components.
- **The throttle lever has two start positions**
- **COLD ENGINE** - Push throttle all the way forward.
- **WARM ENGINE** - Pull the throttle lever all the way back.
- **To start the unit, pull the start/brake lever (Fig.1.1) towards the handle (Fig.1.4) and hold it there to allow the motor to spin.**
- When initially starting the unit from cold, prime the unit by depressing the priming bulb three or four times (Fig.5).
- Sharply pull the starter cord to its extent and allow it to rewind gently under control. The engine should start after 2-4 pulls.
- To turn the engine off, release the start/brake lever **slowly**. (**Only let go or release quickly in an emergency as this can damage your engine**).
- **NOTE:** The cutting blade may not stop immediately.
- The travel of the unit is controlled by the Travel lever (Fig.1.2). When the lever is pulled toward the handle, the mower will start moving.
- To stop the forward motion of the mower, release the Travel lever.
- The speed of travel of the mower is controlled by the 'T' shift lever (Fig.1.3). Fully back is slowest speed, fully forward is fastest.
- **NOTE:** Only move the Travel Speed Control lever when the engine is running.

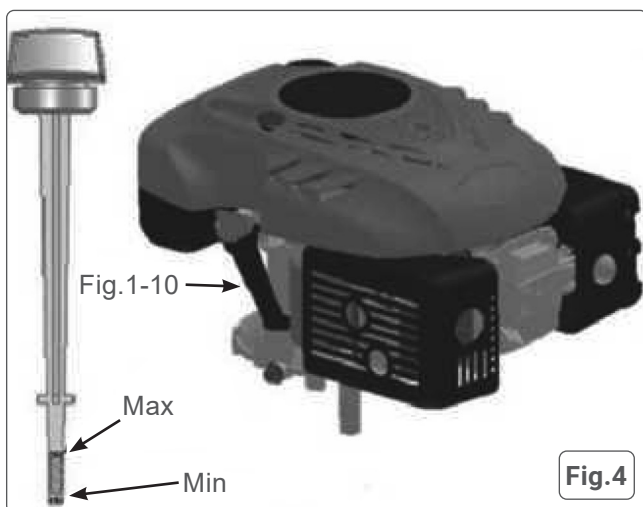
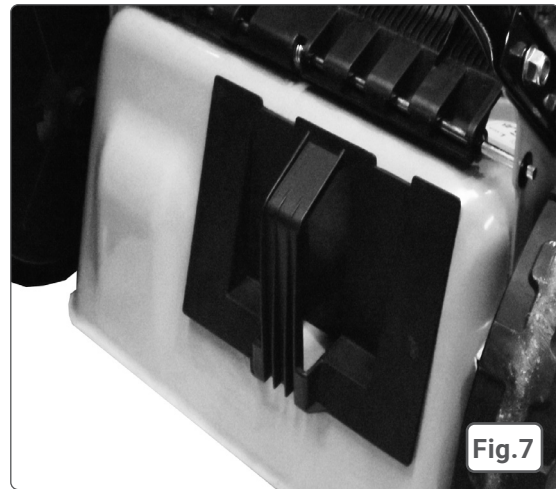


Fig.4



Fig.5

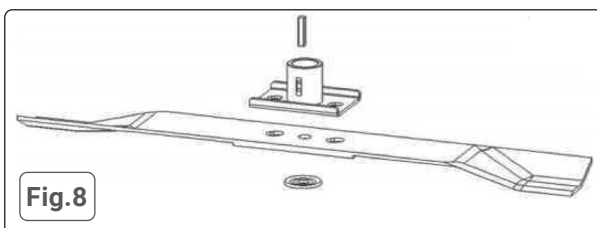
- To adjust the height of cut, use lever (Fig.1.11). There are 8 set positions for the lever giving a range of cut heights from 25 to 70 mm.
- The mower can be used for a number of applications e.g. mowing with grass collection, with rear discharge, side discharge or mulching.
- When the grass catcher is fitted, grass clippings are discharged into it. When full, the flap will close.
- Without the grass catcher installed, the grass catcher cover serves as a deflector that directs the movement of the grass clippings towards the ground. A row of grass clippings is thereby formed behind the lawnmower.
- When side discharge is required, ensure the engine is turned off before attaching the side discharge deflector. Lift the side discharge cover and attach side discharge deflector (Fig. 6). To mow with side discharge, it is necessary to install the mulching plug into rear discharge chute (Fig. 7).



- When mulching is required, ensure the engine is turned off before installing the plug (Fig.7)
- To adjust the height of cut, use lever (Fig.1.11). There are 8 set positions for the lever giving a range of cut heights from 25 to 70 mm.

Maintenance

- **DO NOT** attempt any cleaning or maintenance without having disconnected the spark plug.
- Allow the engine to cool before attempting any cleaning or maintenance.
- Regular maintenance will increase the life of your unit.
- After each use and before stowage, wipe off and dry all outer surfaces.
- Clean the air filter regularly. Unclip the air filter cover (fig.1.8) and remove any debris from the foam filter.
- To change the motor oil, with suitable receptacle in place, remove dip stick (Fig.1.10) and tilt the unit to fully drain it. Replace the dip stick after draining and refill as described in the Preparation section and FFig.3. **DO NOT** overfill. Start the engine and run for a short time. Stop the engine and after 1 minute, measure the oil level. Add oil if required.
- **NOTE:** Drain oil before removing the blade.
- When removing the blade, wear safety gloves to avoid personal harm.
- To remove blade (Fig. 8), hold blade firmly with one gloved hand to prevent it rotating and use suitable spanner to undo the nut. **NOTE:** Take care to not lose the woodruff key. When replacing the blade, tighten to 40 Nm.



Specification

Attribute	Value
Power Source	Petrol
Type	Push Lawn Mower
Propulsion Type	Self Propelled
Engine Type	4 Stroke
Engine Size	144cc
Engine Speed	2800rpm
Rated Power	2.5kW
Emissions Rating	75/95dB(A)
Vibration Rating	4.8 m/s ² / 2.4 m/s ²
Petrol Tank Volume	1L
Grass Collection Volume	65L
Blade Style	Rotary
Cutting Width	46cm/18"
Height Adjustment	25-70mm



Environment Protection and Waste Protection and Electrical Equipment Regulations (WEEE)

Recycle unwanted packaging materials. When this product is no longer required, or has reached the end of its useful life, please dispose of it in an environmentally friendly way. Drain any fluids (if applicable) into approved containers, in accordance with local waste regulations.



It is our policy to continually improve products and we reserve the right to alter data, specifications and parts without prior notice. No liability is accepted for incorrect use of this product. Guarantee is 12 months from purchase date, proof of which is required for any claim.

Dellonda Limited

Kempson Way, Suffolk Business Park, Bury St Edmunds, Suffolk. IP32 7AR



01284 757575



support@dellonda.co.uk



www.dellonda.co.uk