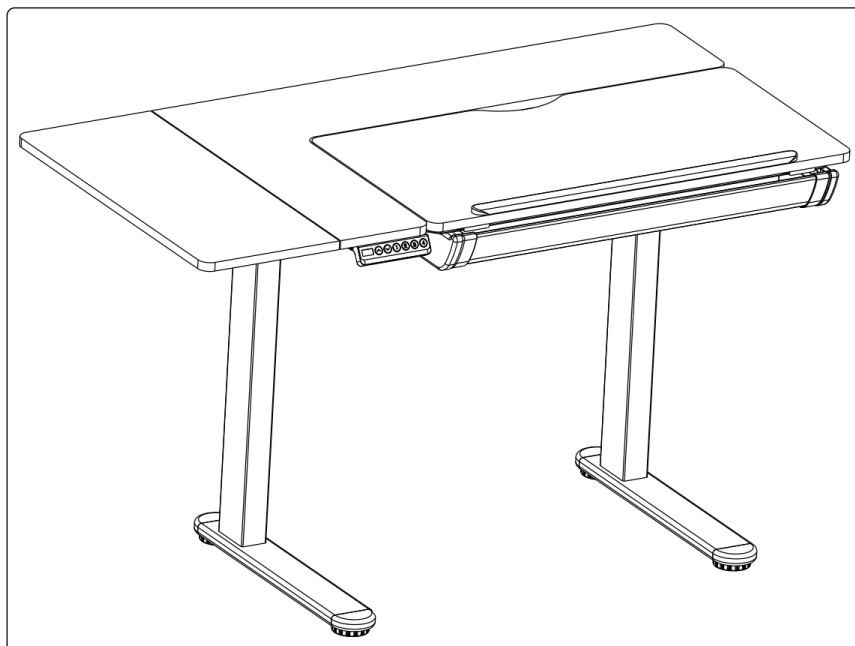




Dellonda Electric Adjustable Drawing Table Tilt Desktop Architect Workstation










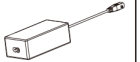



Model No. DH71

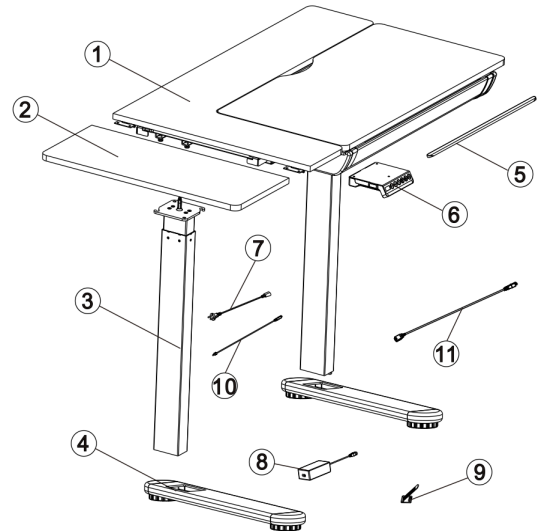
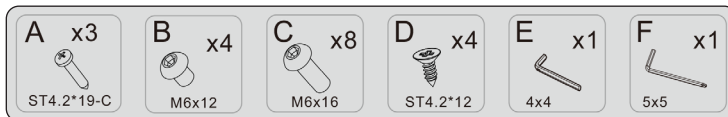
Thank you for purchasing a Dellonda product. Manufactured to a high standard, this product will, if used according to these instructions, and properly maintained, give you years of trouble free performance.

Important Information

Please read these instructions carefully and note any safe operational requirements, warnings & cautions. Use the product correctly and with care for the purpose for which it is intended. Failure to do so may cause damage and/or personal injury and will invalidate the warranty. Keep these instructions safe for future use.

Contents

No.	Part	Qty	No.	Part	Qty	No.	Part	Qty
①	 Tabletop sets	1	②	 Extension sets	1	③	 Column	2
④	 Pedestal	2	⑤	 Supporting pads	1	⑥	 Hand switch	1
⑦	 Power cable	1	⑧	 Adaptor	1	⑨	 Cable tie	4
⑩	 Switch cord	1	⑪	 Extension cord	1			



About the Product


Height-adjustable desk with 0°-40° tilting oak effect desktop ideal for your office or home needs. Features digital control panel with four programmable memory presets enabling you to reach your desired height with the push of a button. Features anti-collision for safety when used around children. Includes handy storage drawer to store your office or home essentials. Single motor system ensures a fast and stable adjustment. Features ultra-quiet operation with a sound level less than 50dB. Some simple assembly is required.

Specification

- Height range: 730-1230mm
- Tilt angle: 0 - 40°
- Speed: 25mm/s
- Desktop dimensions 1200 x 600mm
- Sound level <50dB
- Max. load capacity 50kg
- Supply 230v

Safety Instructions

• ELECTRICAL SAFETY

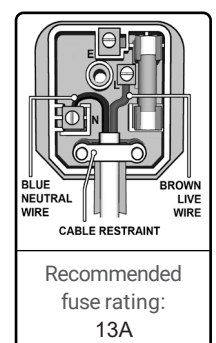
- **WARNING!** It is the user's responsibility to check the following:
 - Check all electrical equipment and appliances to ensure that they are safe before using. Inspect power supply leads, plugs and all electrical connections for wear and damage. Dellonda recommend that an **RCD** (Residual Current Device) is used with all electrical products. You may obtain an **RCD** by contacting your local domestic stockist.
 - Check all connections to ensure that they are secure.
 - **Important:** Ensure that the voltage rating on the appliance suits the power supply to be used and that the plug is fitted with the correct fuse - see fuse rating in these instructions.
 - **DO NOT** pull or carry the appliance by the power cable.
 - **DO NOT** pull the plug from the socket by the cable.
 - **DO NOT** use worn or damaged cables, plugs or connectors.
 - Ensure that any faulty item is repaired or replaced immediately by a qualified electrician.
 - This product is fitted with a **BS1363/A 13 Amp 3 pin plug**.
 - If the cable or plug is damaged during use, switch off the electricity supply and remove from use.
 - Replace a damaged plug with a **BS1363/A 13 Amp 3 pin plug**. If in doubt contact a qualified electrician.
 - Class **II** products are wired with live (brown) and neutral (blue) only, and are marked with the Class **II** symbol. 

A) Connect the **BROWN** live wire to the live terminal 'L'.

B) Connect the **BLUE** neutral wire to the neutral terminal 'N'.

C) Check that there are no bare wires and ensure that all wires are correctly connected.

- Ensure that the cable outer sheath extends inside the cable restraint and that the restraint is tight.
- **DO NOT** connect either wire to the earth terminal.
- Dellonda recommend that repairs are carried out by a qualified electrician.



- Unplug the power source before cleaning. Wipe the dust on surface with slight damp cloth when cleaning, **DO NOT** get water in the electrical housing, and be careful not to loosen any cables.
- Check carefully to ensure correct and complete assembly before use.
- Familiarise yourself with all functions and program settings of the product before first use.
- **DO NOT** let children play on the product.
- Slight noise caused by the V-ribbed belt or brake system will not have any effect on the use of the equipment.
- **DO NOT** clean the unit with corrosive or abrasive materials.
- This appliance can be used by children aged from 8 years and above and persons with reduced physical, sensory or mental capabilities or lack of experience and knowledge if they have been given supervision or instruction concerning use of the appliance in a safe way and understand the hazards involved. Children shall not play with the appliance.
- If the supply cord is damaged, it must be replaced by the manufacturer, it's service agent or a similarly qualified person in order to avoid a hazard and prolong the life of the equipment.
- **ALWAYS** make sure there are no hazards in the operating environment. E.g., nothing that will get hooked up on the desk, or stop the desk from raising or lowering fully.
- Operating environment temperature 0-40°C.
- Keep the original instructions, for future reference.
- **ALWAYS** inspect the unit prior to use for fatigue and damage.
- Always be careful with the packaging materials in order to avoid any possible danger, e.g. plastic bag may lead to choking hazard to children.
- Keep the original packaging of the equipment if necessary in case of the future use in transportation.

Assembly

Step 1

B x4

E 4x4

Install the adjustable legs onto the desk frame

1

3

Rotate the lifting column after inserting it to the end to avoid height difference. The long side of the lifting column is parallel to the short side of the table.

Connect the lift column leg (3) to the table frame (1) and tighten the screws (B) with the hex key (E)

1

Insert

Insert the hexagon drive rod in the leg into the guide slot in the table frame

2

Once located rotate the column leg so that the base plate is hooked on the fixing bolts.

3

Tighten the eight screws (B) with 4mm hex key.

4

Step 2

C x8

E 4x4

Installing the desk feet.

4

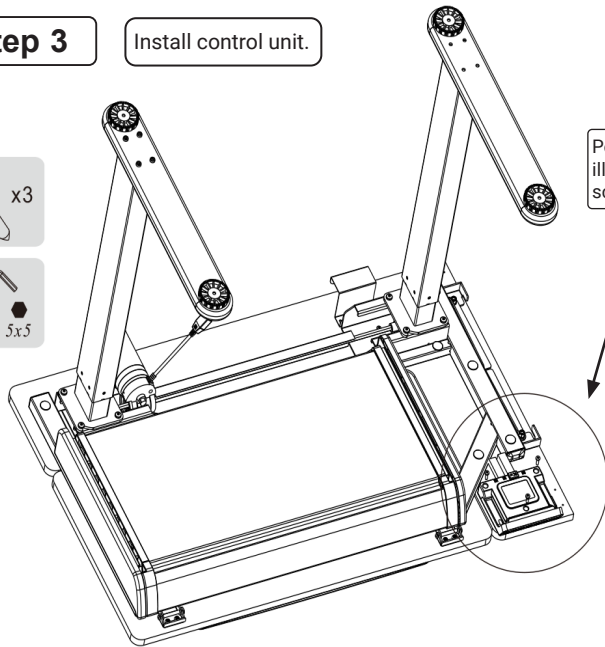
3

C

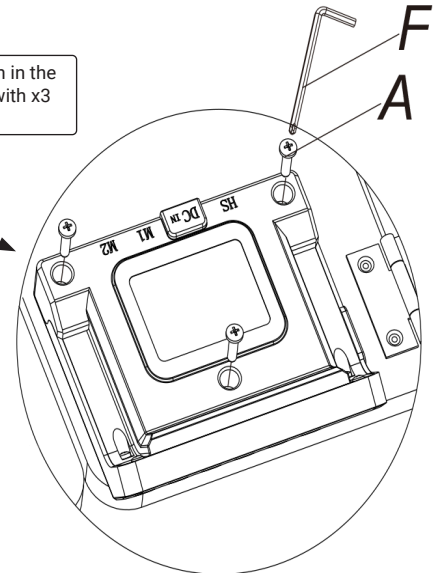
Orientate the feet (4) as shown in the illustration and tighten the screws (C) into the leg column (3) with the hex key (E).

Step 3

Install control unit.



Position the control unit as shown in the illustration and screw into place with x3 screws (A).

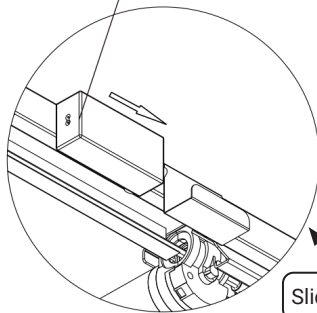


Step 4

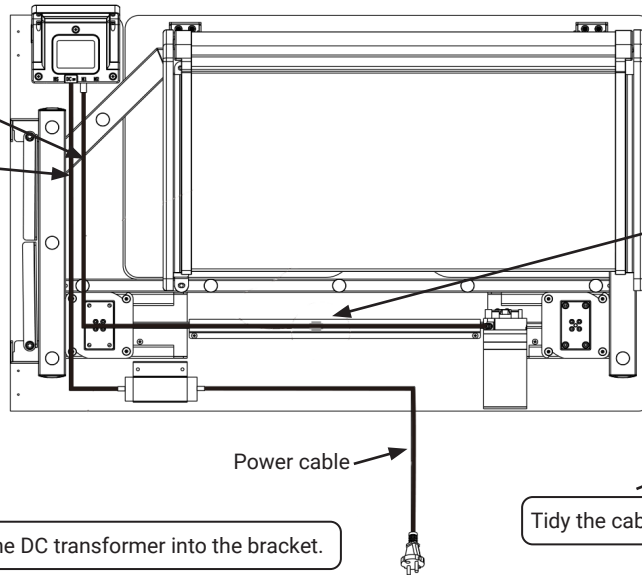
Connect the electrical cables.

Extension cable
DC Power cable

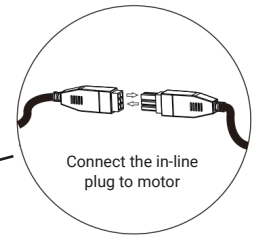
8



Slide the DC transformer into the bracket.



Power cable



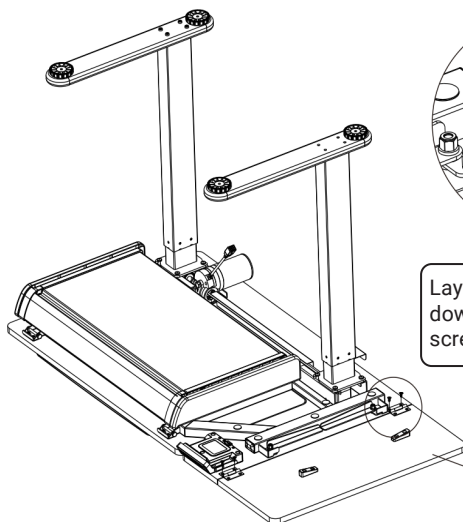
Connect the in-line plug to motor



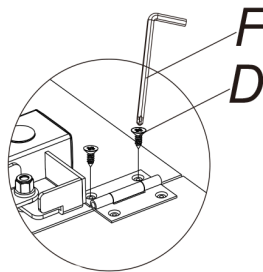
Tidy the cables with the adhesive cable tie.

Step 5

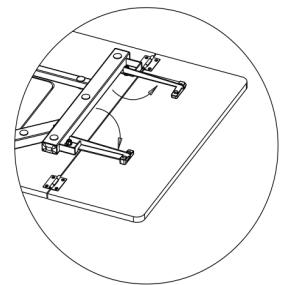
Connect the tabletop extension.



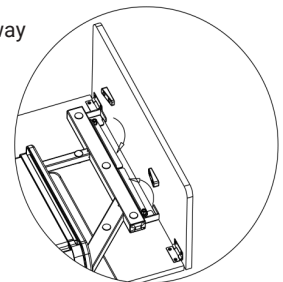
Lay the desktop extension (2) face down next to the desk as shown and screw in place with x8 screws (D).



Unfold

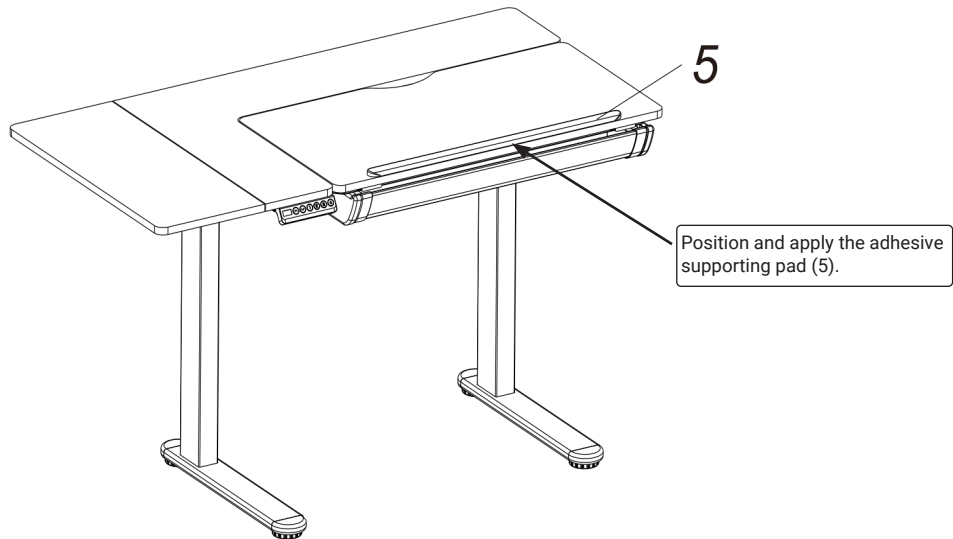


Fold away

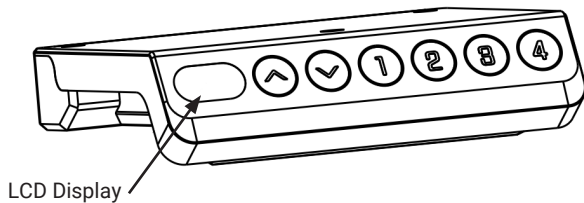


Step 6

Apply the supporting pad.



Operation



●	“▲”	Up button, adjust the desk upwards
●	“▼”	Down button, adjust the desk downwards
●	“1”	Position1, user's first stored height position
●	“2”	Position2, user's second stored height position
●	“3”	Position3, user's third stored height position
●	“4”	Position4, user's fourth stored height position

• Height Adjustment:

- 1. Press the “▲” button, the desk will rise, press and hold and the desk will continue to rise, the screen will show “top” when the desktop is at it's highest setting.
- 2. Press the “▼” button, the desk will descend, press and hold and the desk will continue to descend, the screen will show “bot” when the desktop is at it's lowest setting.

• Memory Presets:

- 1. When the desktop is stationary at your first desired height, press and hold the preset button “1” for 3 seconds, the desk will sound and the display will show “S-1”, this shows you have saved your 1st position preset height. Press the “1” preset button at any time to return to this height setting.
- 2. Repeat this process for presets “2”, “3” and “4” as explained in point 1 to your preferred height settings.

• Reset Operation:

- 1. When the height of the device is incorrect on the display or an error code appears, the device needs to be reset and corrected. Press and hold button “3” and button “4” simultaneously for 3 seconds to enter the reset function.
- 2. The display will show “RST”, long press the “▼” button to reset the control unit. When the desk descends to it's lowest height the desk will bounce upwards slightly and run until the display shows “bot” the reset will now be complete.

Adjust anti-collision sensitivity

- 1. Long press the “▲” and “▼” buttons simultaneously for the 3 seconds to change the sensitivity settings. There are 4 possible settings A-0, A-1, A-2 and A-3.
- 2. When the displays shows A-0 the desk anti collision setting is OFF, A-3 is High sensitivity, A-2 Medium sensitivity and A-1 for Low sensitivity. (factory default setting is A-2).
- 3. When the desk rises and descends it will rebound immediately when it encounters an obstacle.

• Troubleshooting

- RESET:** When the LED displays “RST” press the down button until the desk reaches its lowest height and rebounds to stop. The reset has completed.
- When the desk does not work and the LED shows “E01” or “E02”, wait 18 minutes before trying to operate again.
- If the down button does not work, check the cable connections and then turn the power off for at least 10 seconds. Turn on the power and press the down button to start the RESET process when the LED displays “RST”.
- If none of the above processes work please contact Dellonda Customer Service.

Troubleshooting chart

Problem	Solution
No response when long pressing the down arrow after connecting a power supply	Check that all cables are connected
	Contact your supplier
No response when long pressing up/down arrow after connecting a power supply	Check that all cables are connected
	Contact your supplier
Rises slowly	Check if overloaded (Max. loading 50kg)
	Contact your supplier
The motor will not move as instructed	Contact your supplier
Desk will go down but will not go up	Reposition
Desk slides down	Check if desk is overloaded (Max. loading is 50kg)
	Contact your supplier
Desk frequently repositions	Check if overloaded
	Contact your supplier
Desk is overworked (duty cycle is Max. 2 mins on & 18 mins off)	Remove power supply. Restart after waiting 18 mins
Insufficient ascent and descent height	Press "3" & "4" buttons at the same time for more than 3 secs until the buzzer sounds twice, then reset again
	Contact your supplier



Environment Protection, Waste Electrical and Waste Electronic Equipment Regulations (WEEE)



Recycle unwanted packaging materials. When this product is no longer required, or has reached the end of its useful life, please dispose of in an environmentally friendly way. Drain any fluids (if applicable) into approved containers, in accordance with local waste regulations.



Please note that this product contains one or more batteries. It is our policy to continually improve products and we reserve the right to alter data, specifications and parts without prior notice. No liability is accepted for incorrect use of this product. Guarantee is 12 months from purchase date, proof of which is required for any claim.



Dellonda Limited

Kempson Way, Suffolk Business Park, Bury St Edmunds, Suffolk. IP32 7AR



01284 757575



support@dellonda.co.uk



www.dellonda.co.uk