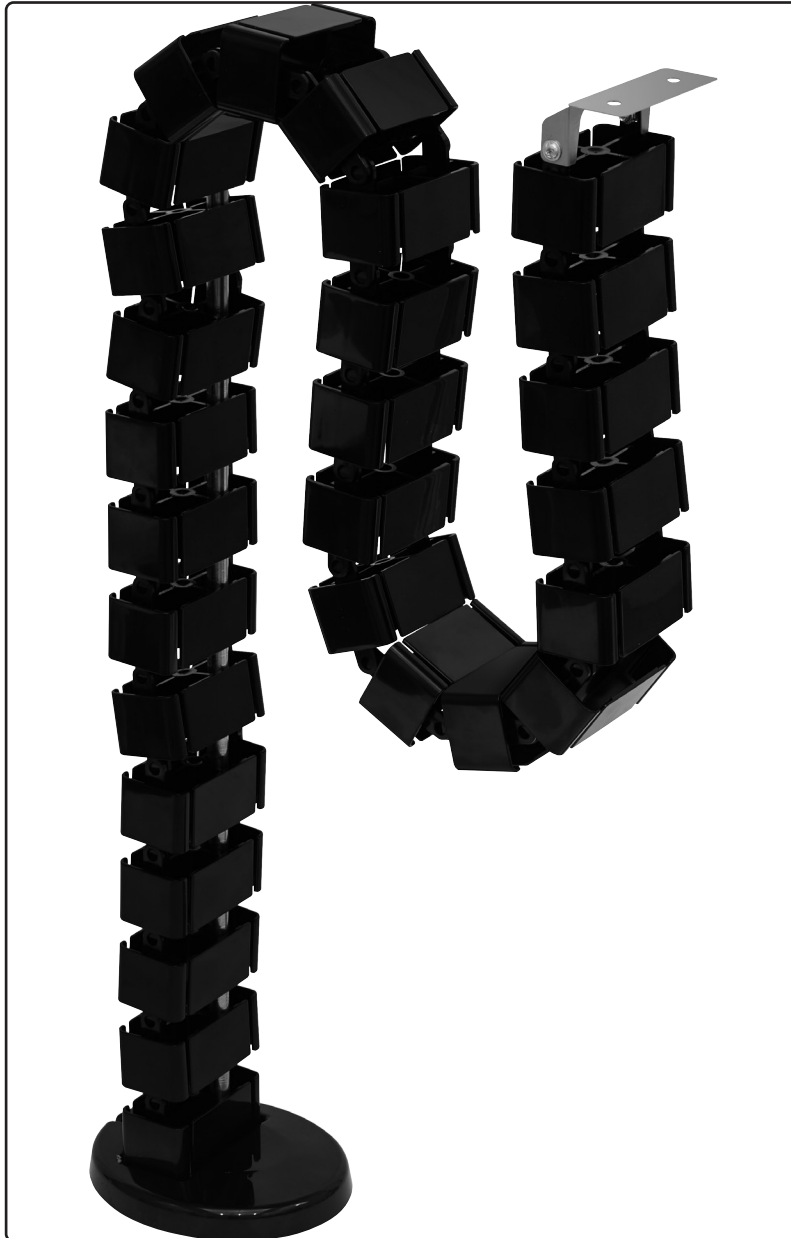




Dellonda Standing Vertical Flexible Wire Cable Tidy Management System 1.3M Ø75mm



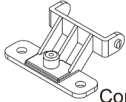
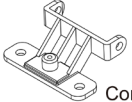

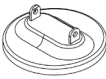
Model No. DH23

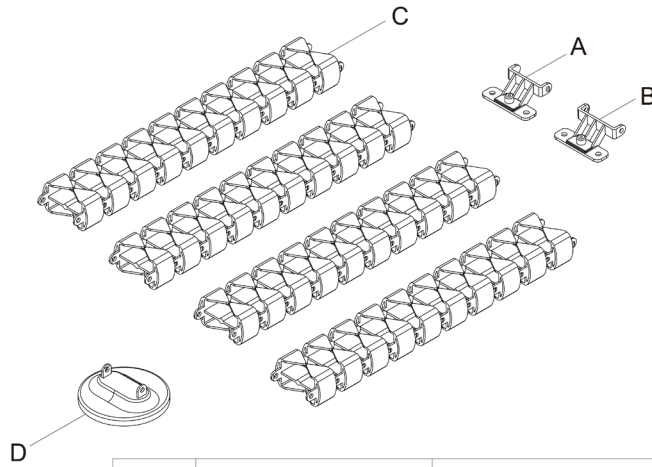
Thank you for purchasing a Dellonda product. Manufactured to a high standard, this product will, if used according to these instructions, and properly maintained, give you years of trouble free performance.




Important Information

Please read these instructions carefully and note any safe operational requirements, warnings & cautions. Use the product correctly and with care for the purpose for which it is intended. Failure to do so may cause damage and/or personal injury and will invalidate the warranty. Keep these instructions safe for future use.

Contents

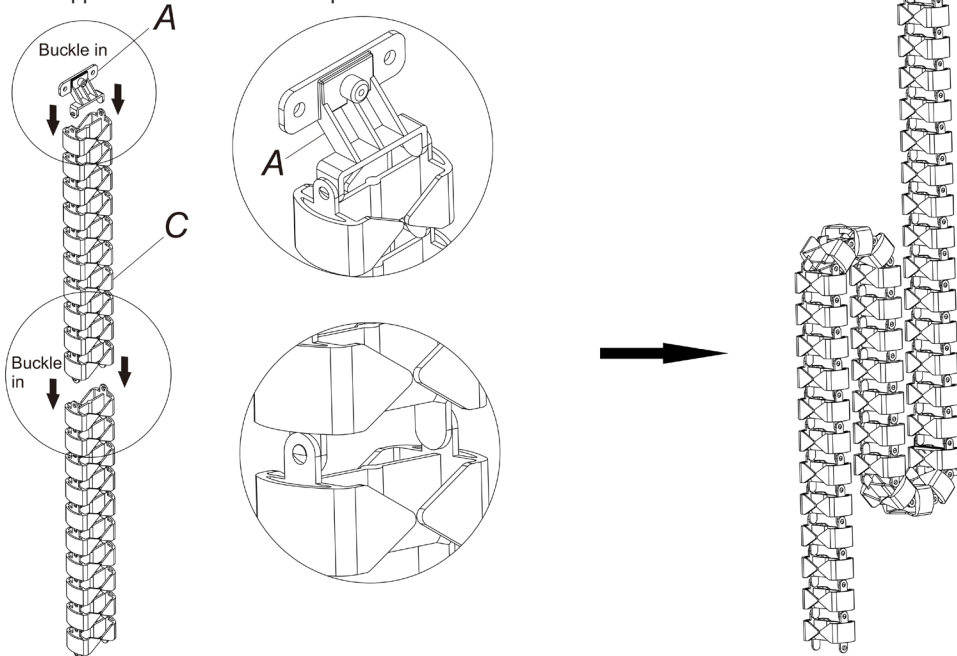
No.	Part	Qty
A	 Upper Connector	1
B	 Lower Connector	1
C	 Serpentine Tube	4
D	 Base	1



No.	Image	Spec	Qty
1		Allen Key 4x4	1
2		M5	4
3		ST4.2	4

Step 1

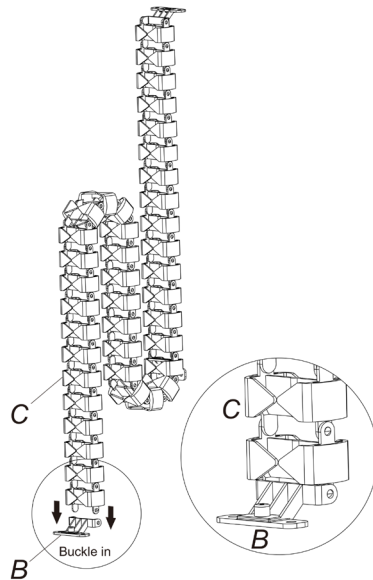
Install the upper connector and the serpentine tube.



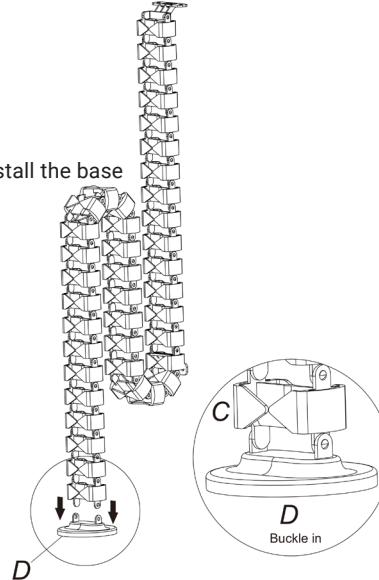
Step 2

Install the lower connector or the base

Install the lower connector



Install the base



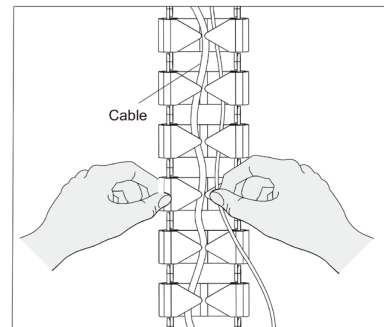
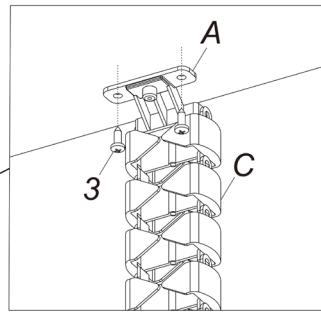
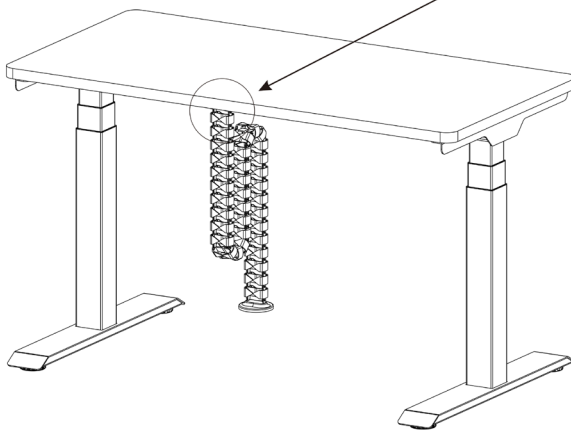
Step 3

Install the serpentine tube

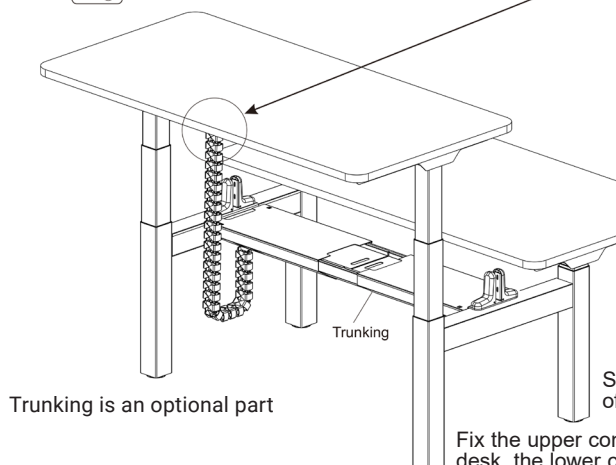


Base installation method for single desk

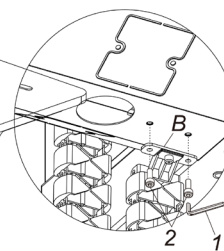
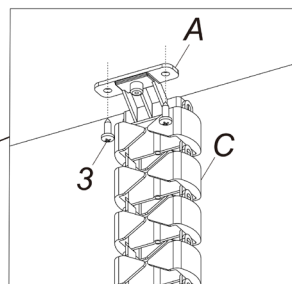
Fix the upper connector (A) on one end of the single-table serpentine tube on the desk, place the base (D) on the other end on the ground or on a flat surface. Finally, insert the cable into the serpentine tube.



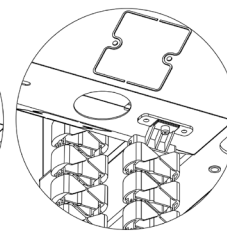
Installation method of lower connector for single desk



Trunking is an optional part



Schematic diagram of screw installation



Schematic diagram of magnetic installation

Fix the upper connector (A) on one end of the double-table serpentine tube on the desk, the lower connector (B) on the other end, is screwed on the trunking with screws (2) or attached by magnetism. The lower connector is magnetic.

• **CAUTION!**

- This product contains small items that could be a choking hazard if swallowed. Keep these items away from young children.
- Make Sure these instructions are read and completely understood before attempting installation.
- If you are unsure of any part of this installation, please contact a professional installer for assistance.
- Children are forbidden to play on the product because of unforeseen action when playing.
- Manufacturer will not accept any responsibility for any dangerous consequences caused by this improper action.
- This appliance can be used by children aged from 8 years and above and persons with reduced physical, sensory or mental capabilities or lack of experience and knowledge if they have been given supervision or instruction concerning use of the appliance in a safe way and understand the hazards involved. Children shall not play with the appliance.
- Cleaning and user maintenance shall not be made by children without supervision.
- Please make sure there is no hazard sources in your operating environment. e.g., do not litter the tools around. Always be careful to treat the packaging materials in order to avoid any possible danger, e.g. plastic bag may lead to choking hazard to children.
- Keep the original package of the equipment if necessary in case of the future use in transportation.



Environment Protection, Waste Electrical and Waste Electronic Equipment Regulations (WEEE)



Recycle unwanted packaging materials. When this product is no longer required, or has reached the end of its useful life, please dispose of in an environmentally friendly way. Drain any fluids (if applicable) into approved containers, in accordance with local waste regulations.

It is our policy to continually improve products and we reserve the right to alter data, specifications and parts without prior notice. No liability is accepted for incorrect use of this product. Guarantee is 12 months from purchase date, proof of which is required for any claim.

Dellonda Limited

Kempson Way, Suffolk Business Park, Bury St Edmunds, Suffolk. IP32 7AR



01284 757575



support@dellonda.co.uk



www.dellonda.co.uk