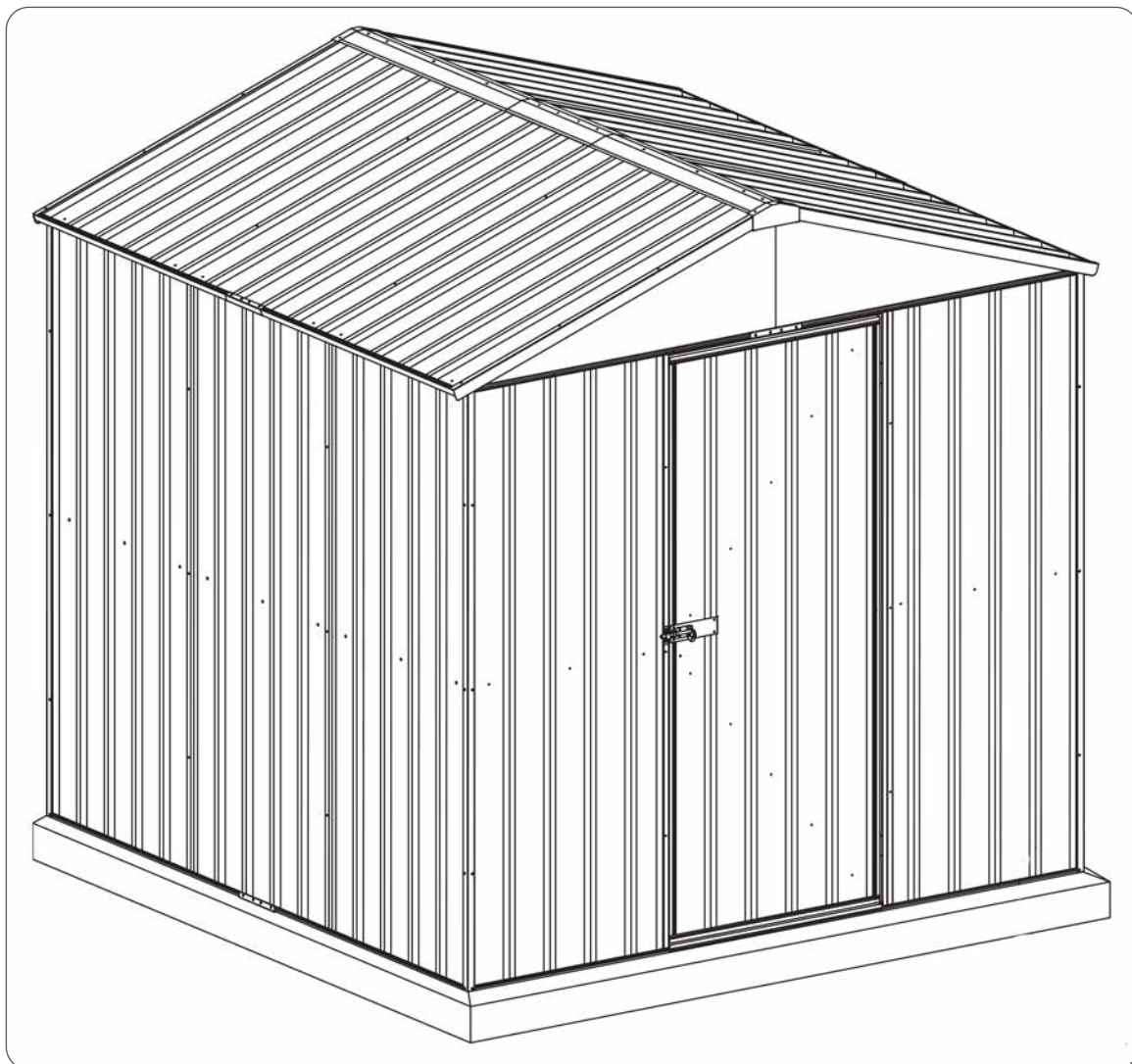




---

**Dellonda Galvanized Steel Garden Shed,  
2.3 x 2.3 x 2.2m Apex Style Roof -  
Green**



**Model No. DG115**

Thank you for purchasing a Dellonda product. Manufactured to a high standard, this product will, if used according to these instructions, and properly maintained, give you years of trouble free performance.

## Important Information

Please read these instructions carefully. Note the safe operational requirements, warnings & cautions. Use the product correctly and with care for the purpose for which it is intended. Failure to do so may cause damage and/or personal injury and will invalidate the warranty. Keep these instructions safe for future use.



Refer to instruction manual



Wear protective gloves



Wear eye protection



Wear safety footwear

## About the Product

Green painted galvanized steel panels easily screw and rivet together to form a rigid and secure structure. Features an apex style roof which gives extra water runoff. Single door fitted with cross bolt and eyelet that accepts padlock (not included) for additional security. Supplied with bolt down fixing kit for secure fixing.

### • SPECIFICATION

- Model no: ..... DG115
  - Width: ..... 2300mm
  - Depth: ..... 2300mm
  - Height: ..... 2200\*mm
  - Roof type: ..... Apex
- \* Denotes minimum wall height

## Safety Instructions

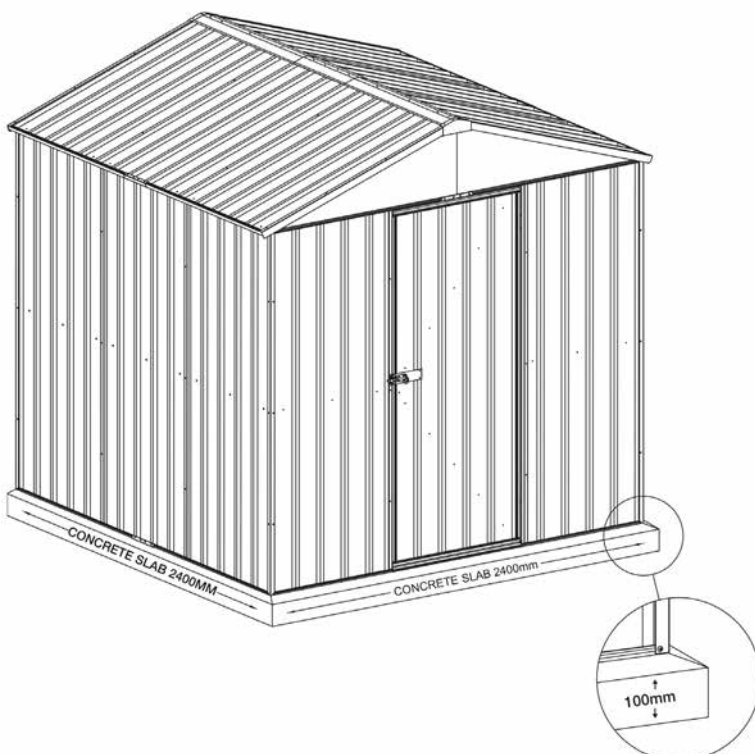
- **WARNING!** Ensure Health & Safety, local authority, and general workshop practice regulations are adhered to when building this shed.
- Keep children and unauthorised persons away from the working area
- **DO NOT** use the shed for any purpose other than that for which it is designed.
- Use appropriate safety clothing including eye protection.
- **NOTE:** The assembly of this product will require assistance.
- **DO NOT** attempt assembly in windy conditions.

## Tools required

- Drill, measuring tape, cross head screwdriver, rivet gun, rubber mallet, sturdy ladder, adjustable spanner, 2 saw horses, 3mm and 4mm steel drill bits, 10mm masonry drill bit.

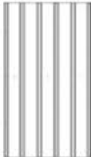



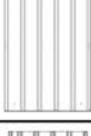
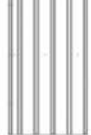




## Concrete Plinth








- Concrete slab: Please ensure that your site is level. It is recommended that your slab is 100mm thick and you use builders plastic and F52 reinforcing mesh. We recommend that you make your slab 100mm bigger than the base dimensions of your shed. This will allow for a 50mm edge around your shed. We recommend that you slope the 50mm edges downward by 10 mm so that rain water will drain away from your shed.












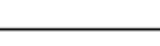












Tools required
Drill
Measuring tape
Cross head screw driver
Rivet gun
Rubber mallet
Sturdy ladder
Adjustable spanner
2 Saw horses
3mm and 4mm drill
10mm Masonry drill

**Build your garden shed in 7 easy steps!****Step 1:** Check all parts against the component list**Step 2:** Assemble the rear wall panels**Step 3:** Assemble the side wall panels**Step 4:** Assemble the roof panels**Step 5:** Assemble the front wall panel**Step 6:** Assemble the front door**Step 7:** Fit the panels together**1. CONTENTS LIST****Step 1:** Lay out all parts with number facing outwards and check off against parts list.





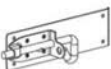

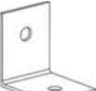









Picture	Description	Component	Location	Part No.	QTY	BOX	Check
	Sheet	Sheet 1800x770	Rear wall side wall	18M	9	2	
	Sheet	Sheet 1216x770	Roof	S16	2	1	
	Sheet	Sheet 1216x770	Roof	S17	2	1	
	Sheet	Sheet 1216x770	Roof	S27	2	1	
	Sheet	Sheet 1800x735	Front	S92	1	1	
	Sheet	Sheet 1800x735	Front	S93	1	1	
	Door Sheet	Sheet 1745x770	Door	D18R	1	1	
	Channel	Channel 1743	Door	M24	1	1	
	Channel	Channel 1743	Door	M25	1	1	
	Channel	Channel 768	Door	M26	2	2	

Picture	Description	Component	Location	Part No.	QTY	BOX	Check
	Brace	Brace 998	Door	U11	2	2	
	Channel	Channel 775	Front	23A	1	2	
	Channel	Channel 1124	Side wall roof	26A	4	1	
	Channel	Channel 1124	Side wall roof	26B	4	1	
	Channel	Channel 1124	Rear wall	26C	1	1	
	Channel	Channel 1124	Rear wall	26D	1	1	
	Channel	Channel 1124	Roof	26E	2	1	
	Channel	Channel 1124	Roof	26F	2	1	
	Channel	Channel 1124	Rear wall	26H	1	1	
	Channel	Channel 1124	Rear wall	26I	1	1	
	Channel	Channel 1124	Side wall	26J	2	1	
	Channel	Channel 1124	Side wall	26K	2	1	
	Channel	Channel 1124	Front	26L	1	2	

Picture	Description	Component	Location	Part No.	QTY	BOX	Check
	Channel	Channel 1124	Front	26M	1	2	
	Channel	Channel 1124	Front	26N	1	2	
	Channel	Channel 1124	Front	26P	1	2	
	Channel	Channel 674	Front	33R	1	2	
	Channel	Channel 674	Front	33L	1	2	
	Channel	Channel 1098	Side wall rear wall	34R	3	2	
	Channel	Channel 1098	Side wall rear wall	34L	3	2	
	Jamb	Jamb 1798	Front	J3	1	1	
	Jamb	Jamb 1798	Front	J5	1	1	
	Jamb	Jamb 775	Front	42A	1	2	
	Corner brace	Corner brace 1798	Corners	Z43	4	2	
	Lip	Lip 1219	Roof	54	4	2	
	Gable cap	Gable cap 1125	Roof	E2	2	2	

Picture	Description	Component	Location	Part No.	QTY	BOX	Check
	Connector	Gable cap connector 450	Roof	E3	1	2	
	Ridge beam	Ridge beam 1125	Roof	62	2	1	
	Gable R/H	Gable 1100	Roof	94R	2	2	
	Gable L/H	Gable 1100	Roof	94L	2	2	
	Logo cap	Logo cap	Roof	95	2	2	
	Roof brace	Roof brace (zinc)	Roof	96	2	1	
	Ridge beam connector	Ridge beam connector 450mm (zinc)	Roof	67	1	1	
	Channel connector	Channel connector 188mm	Side wall	66	11	2	
	Joining brace	Brace	Door	W	1	2	

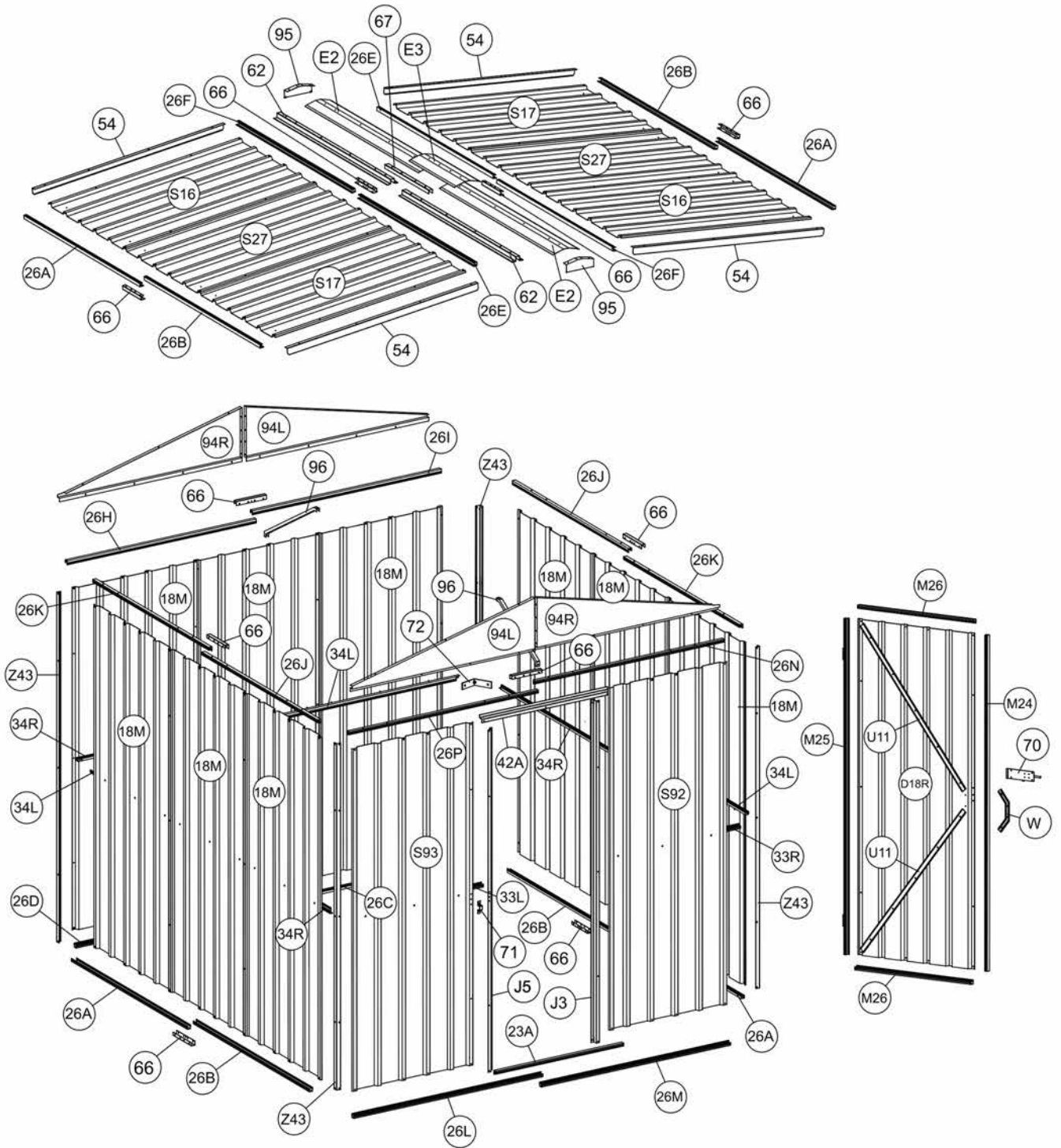
**Fittings part list:**

Picture	Component	QTY	Picture	Component	QTY	✓
	Self-tapping screws (10mm)	360		Self-tapping screws (16mm)	35	
	4 x 10mm Rivet	12		3 x 10mm Rivet	40	
	Pad bolt (part 70)	1		Keeper (part 71)	1	
	Base bracket	11		5/16" x 19mm Hexagonal bolt	11	
	5/16" Hexagonal nut	11		Mid wall brace bracket	4	
	Mid wall channel connector	3		Self taper safety cover	40	
	Channel safety cover (L type)	1		Channel safety cover (R type)	1	
	Plastic stopper	4		Sleeve anchor bolt	11	

**Note:** All fittings are located in box 2.



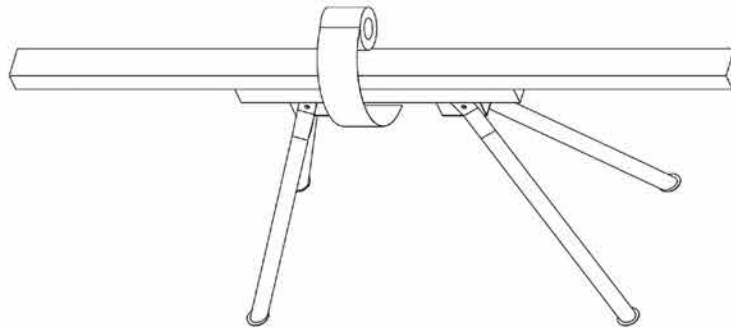
**Shed overview:**



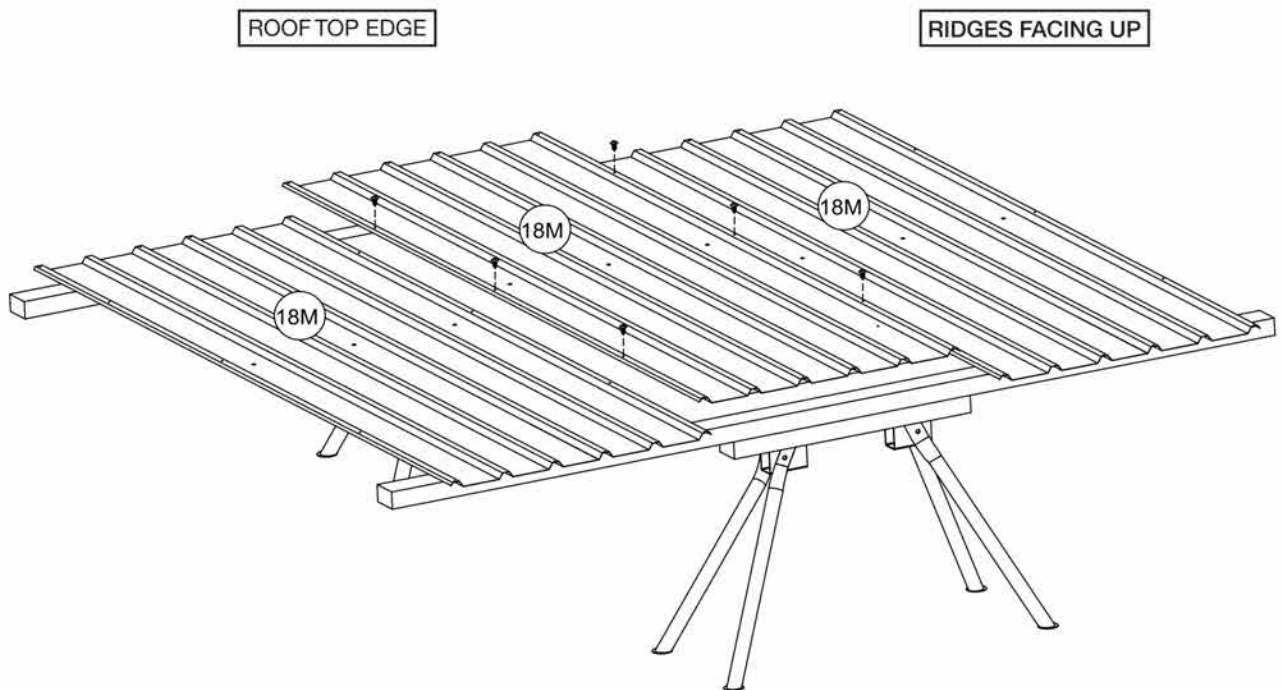


**Step 2:** Assemble the rear wall panels

You will find it easier to assemble your shed using sawhorses with timber studs attached (timber needs to be the same length as the shed (2.3m)) or alternatively, a trestle table.



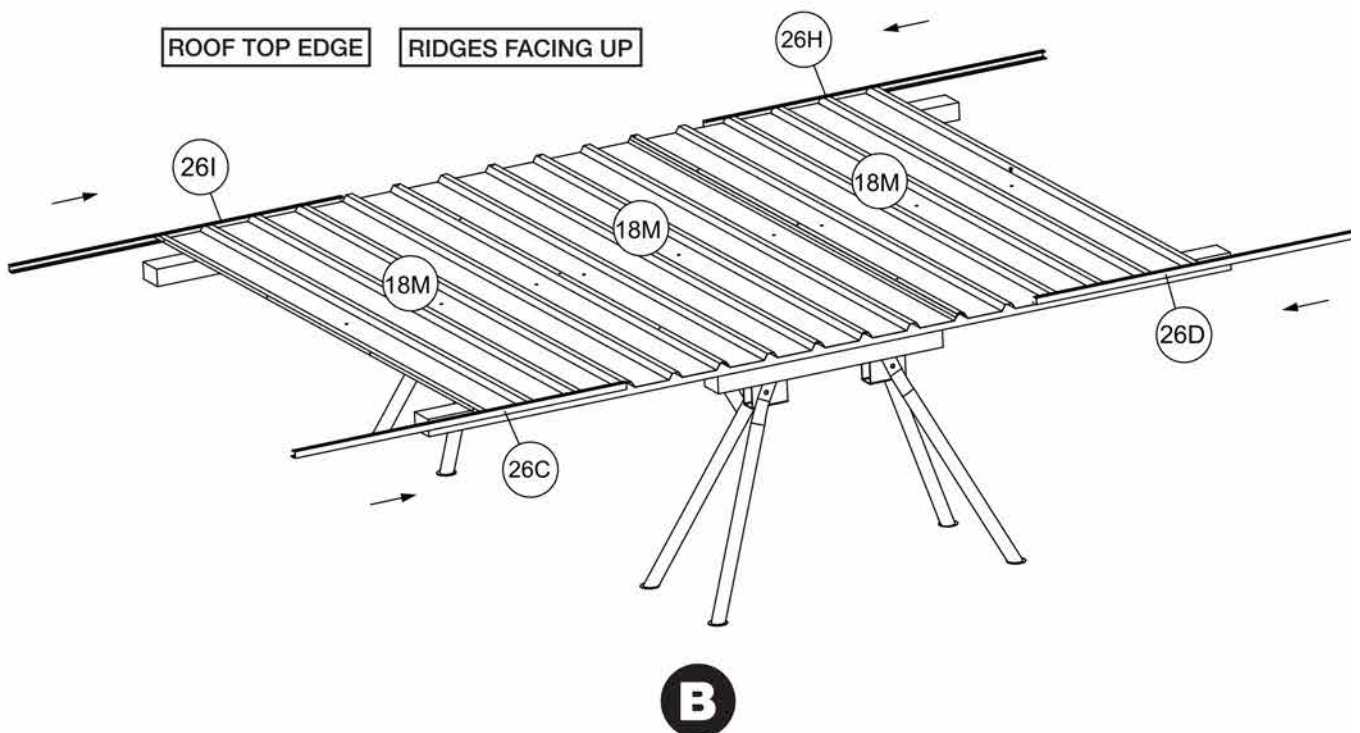
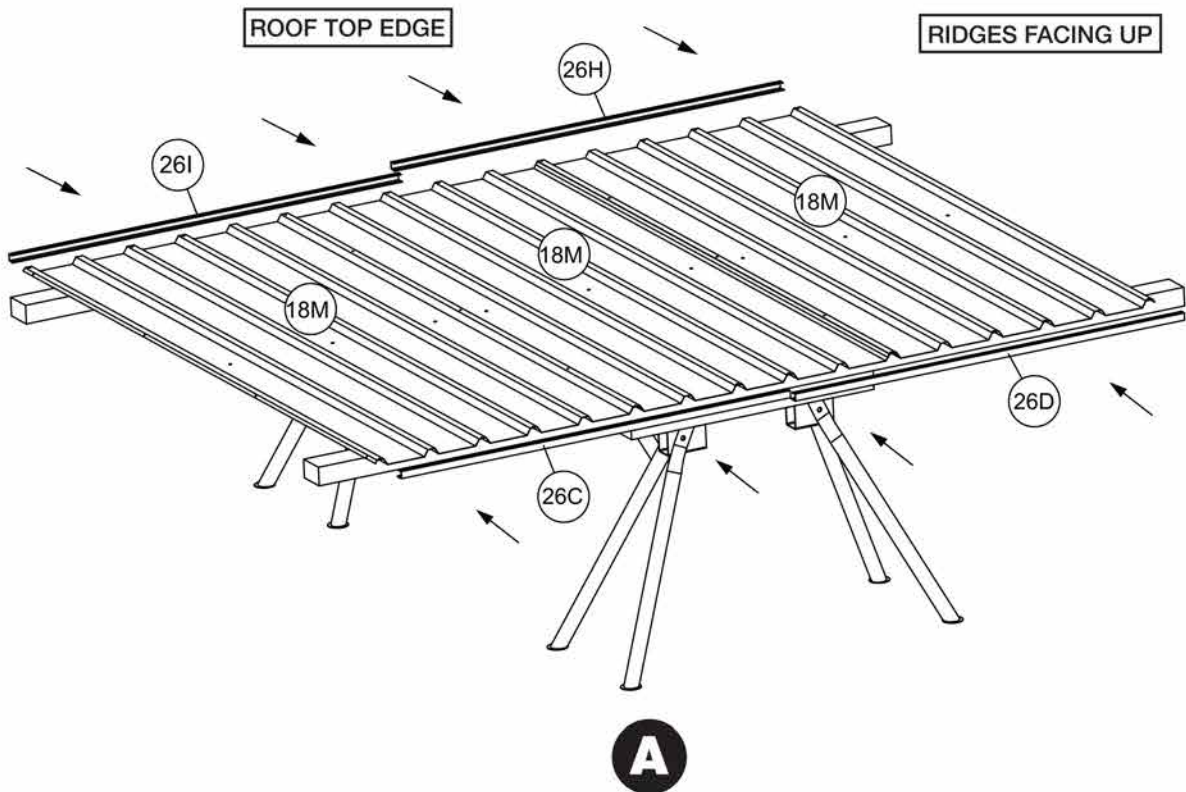
Place 3 x part 18M (sheeting) on your worktable and join together with self-tapping screws as per the diagram below ensuring the ridges are facing up.



**Tip:** If panel and screw holes do not line up, try pulling panel to match up holes.

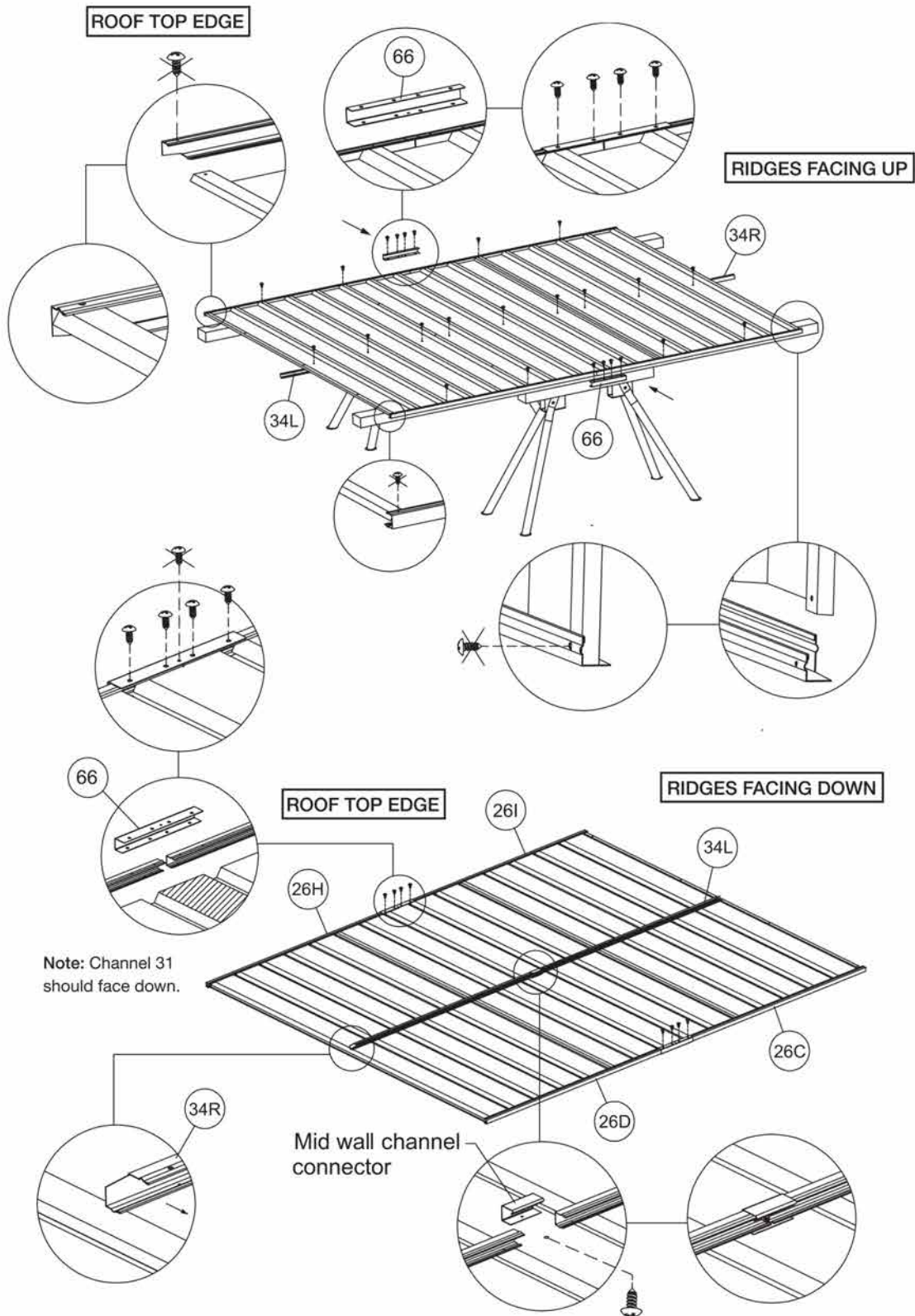
**Step 2:** Assemble the rear wall panels (continued)

Now fit parts 26I, 26H (top channels) and parts 26C, 26D (bottom channels) to the sheeting by tapping it in (diagram A) or sliding in (diagram B). Make sure the small lip on the channel is always facing out. This ensures rain water cannot build up inside your shed. Make sure part 26I and 26H are used as top side channels.



**Step 2:** Assemble the rear wall panels (continued)

Now fix parts 34R and 34L (mid wall channels) joined by mid wall channel connector to the sheeting with self-tapping screws. Please note that the groove should face downwards. Fix other channels with self-tapping screws. **TIP (before applying connectors):** to help panel and screw holes to line up, fasten screws one at a time from one side of the wall to the other and pull panel away from screw each time to match up holes. Apply part 66 (channel connector) on top and bottom channels to enhance the strength. **NOTE:** Screws are applied to both sides of the connectors. All screws marked with a cross should not be fixed at this stage.

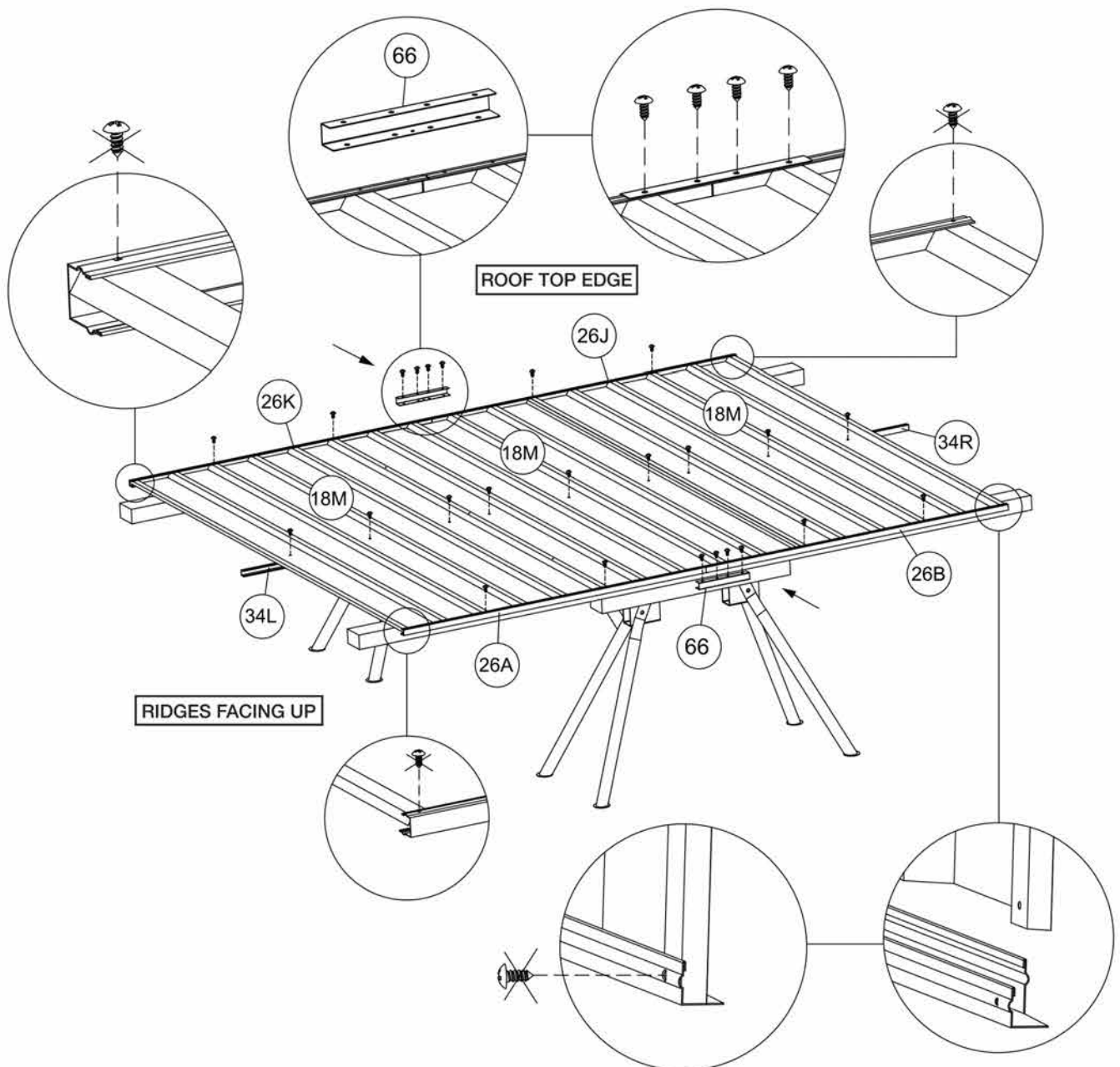




### Step 3: Assemble side wall panels

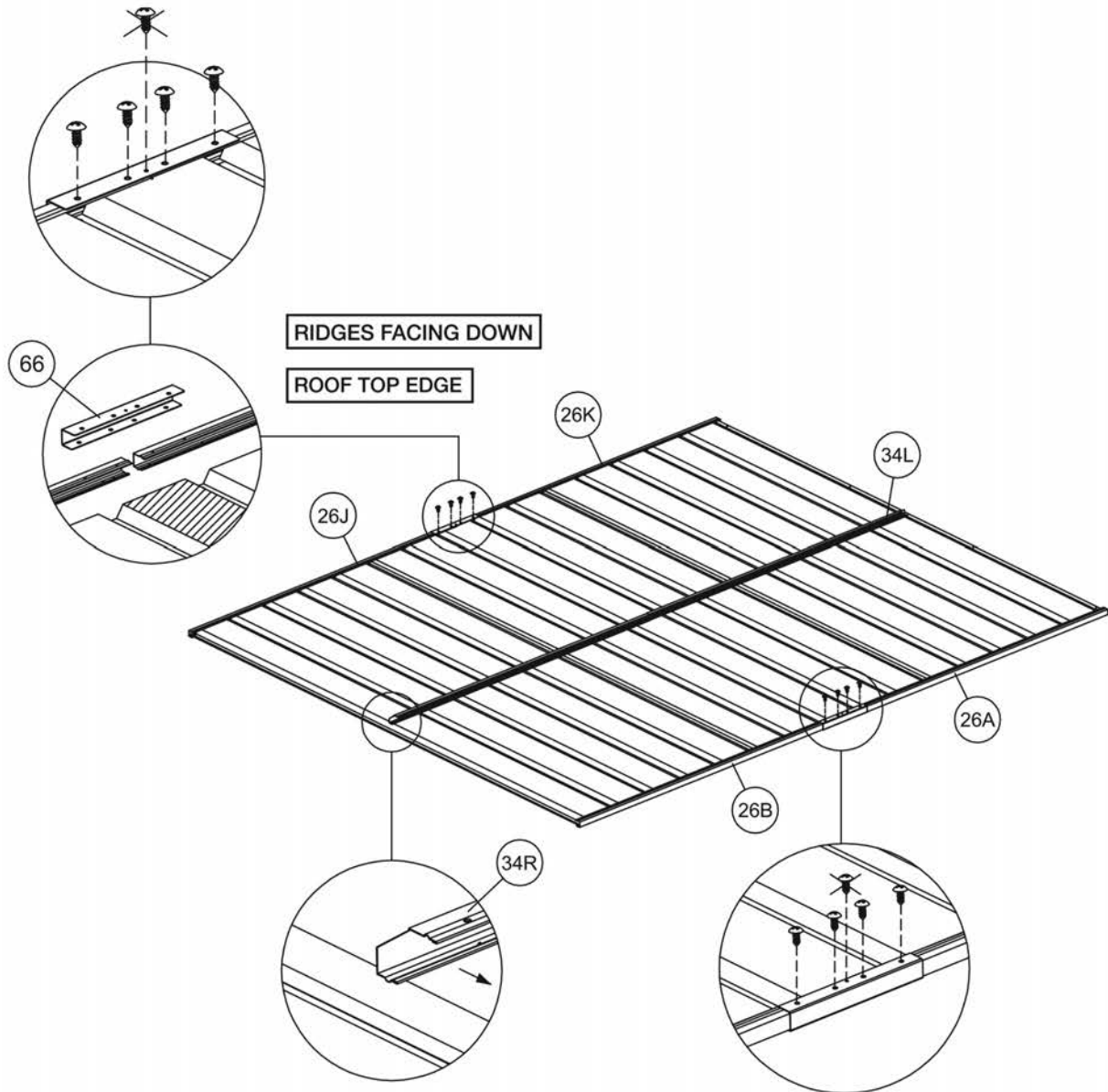
Place 3 x parts 18M (sheeting) on your worktable and join together with self-tapping screws as per the diagram. Now fit parts 26K, 26J (top channels) and parts 26A, 26B (bottom channels) to the sheeting by tapping or sliding it in. Make sure the small lip of the channel is always facing out. This ensures rainwater cannot build up inside your shed. Make sure parts 26K and 26J are used as top side channels. **TIP (before applying connectors):** to help panel and screw holes to line up, fasten screws one at a time from one side of the wall to the other and pull panel away from screw each time to match up holes.

Now fix parts 34R and 34L (mid wall channels) to the sheeting with self-tapping screws. Please note the groove should face downwards. Fix other channels using self-tapping screws through both sides of the connectors and enhance the strength by applying part 66 (channel connector). **NOTE:** Screws are applied to both sides of the connectors. All screws marked with a cross should not be fixed at this stage.



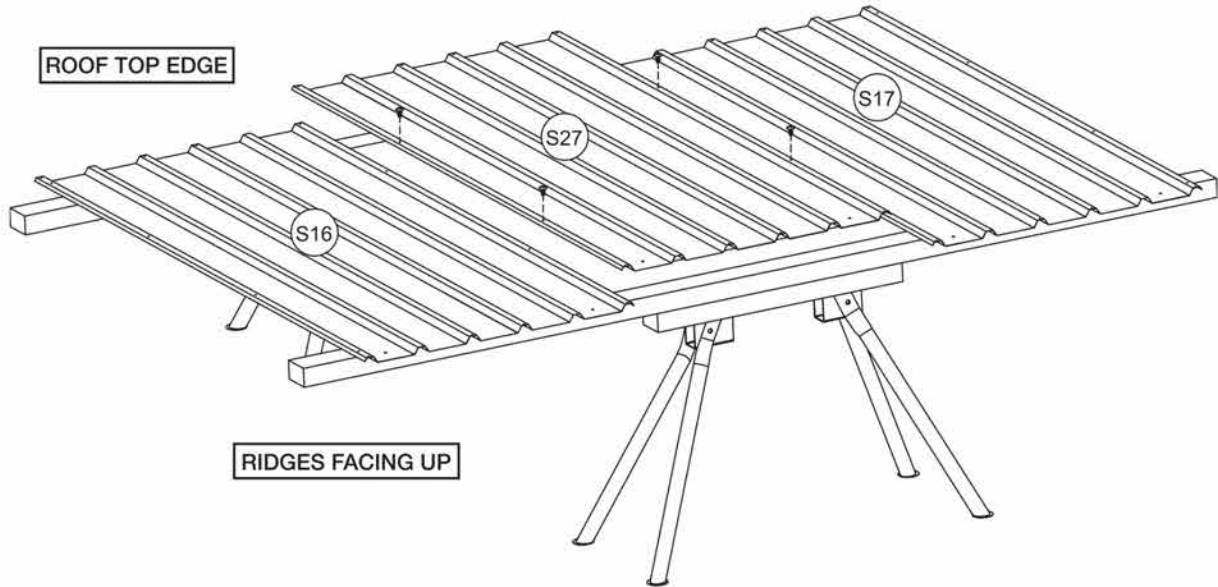
**Step 3:** Assemble side wall panels (continued)

Repeat the same steps for the other side. **NOTE:** All screws marked with a cross should not be fixed at this stage. Make sure the small lip on the channel is always facing out. This ensures rain water cannot build up inside your shed.

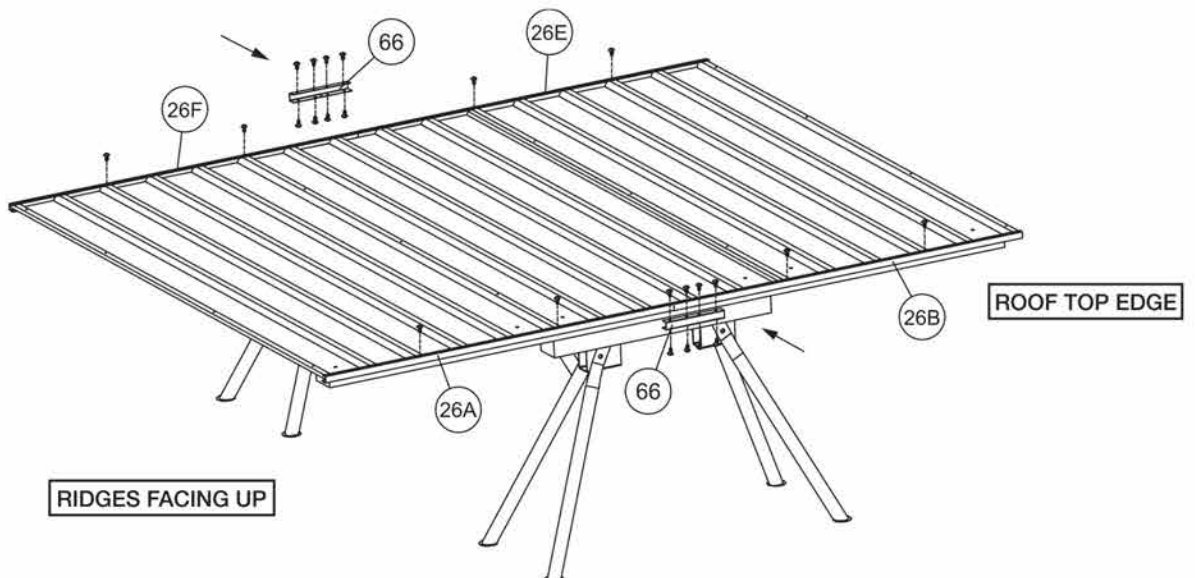


**Step 4:** Assemble the roof panels

Place parts S16, S27 and S17 (sheeting) on your worktable and join together with self-tapping screws as per the diagram below.



Fix parts 26F, 26E, 26A and 26B (channels) using self-tapping screws as per the diagram below. Please ensure parts 26A and 26B are attached to the side of sheeting which has pre-punched holes as per the diagram below. Make sure the small lip on the channel is always facing out. This ensures rain water cannot build up inside your shed.

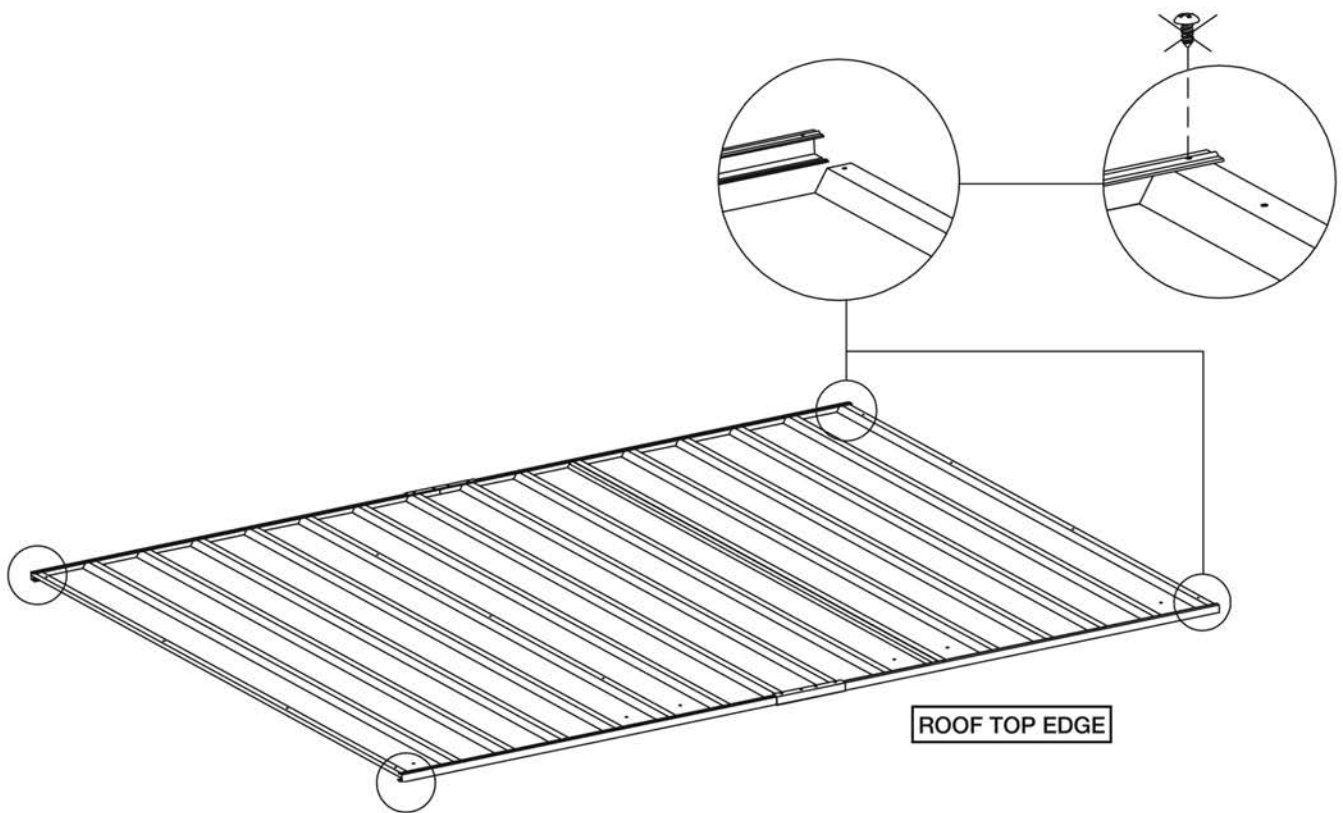


Enhance the structural strength by applying part 66 (channel connector). Note that screws are applied to both sides of the connectors.



**Step 4:** Assemble the roof panels (continued)

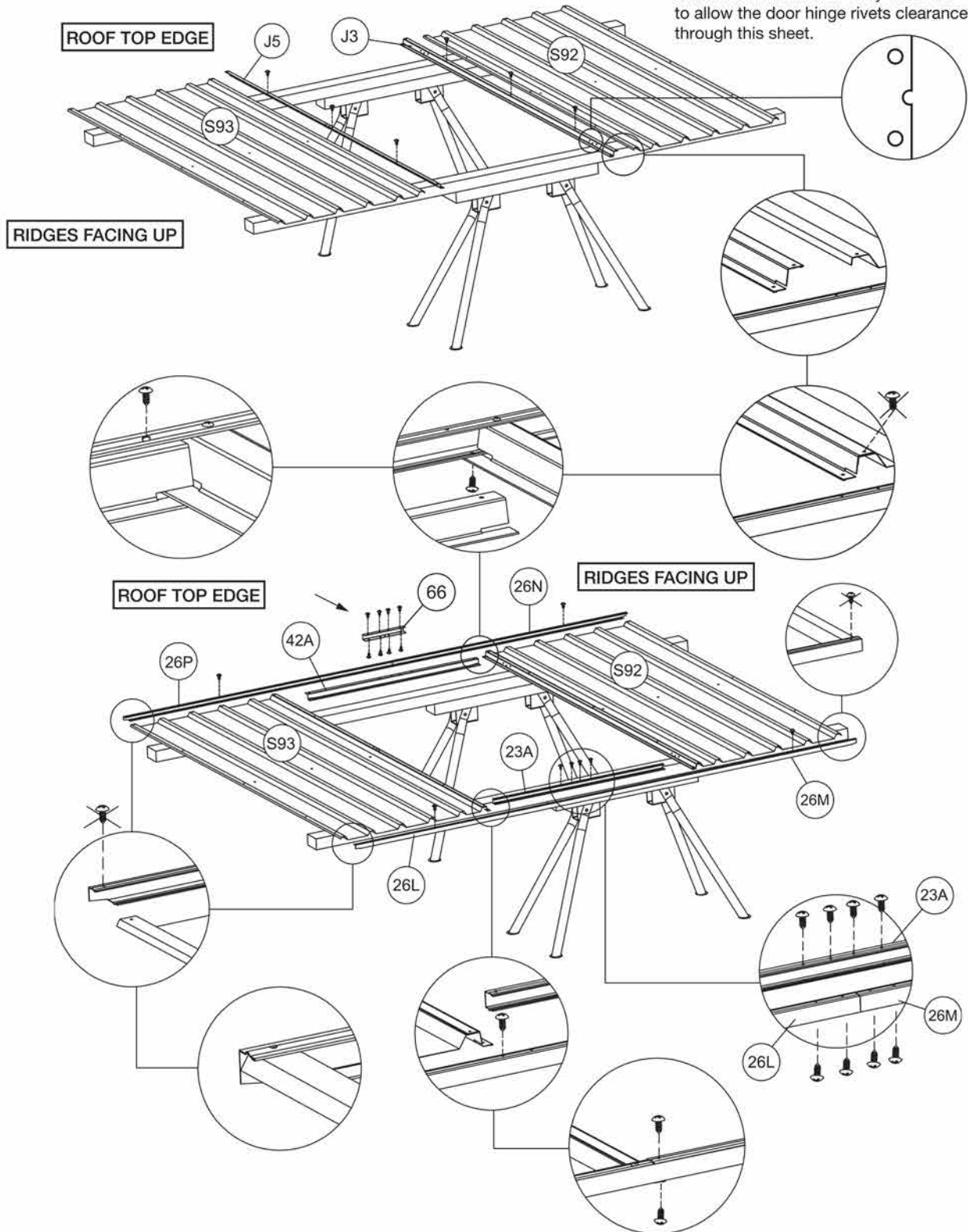
Leave 4 corners unfixed in this stage. Repeat the same steps for the other roof panel.



**Step 5:** Assemble the front wall panels

Fix parts J3 and J5 (jamb) to parts S92 and S93 (sheeting) with self-tapping screws as per diagram below. **NOTE:** All screws marked with a cross should not be fixed at this stage. Make sure the small lip on the channel is always facing out. This ensures rain water cannot build up inside your shed.

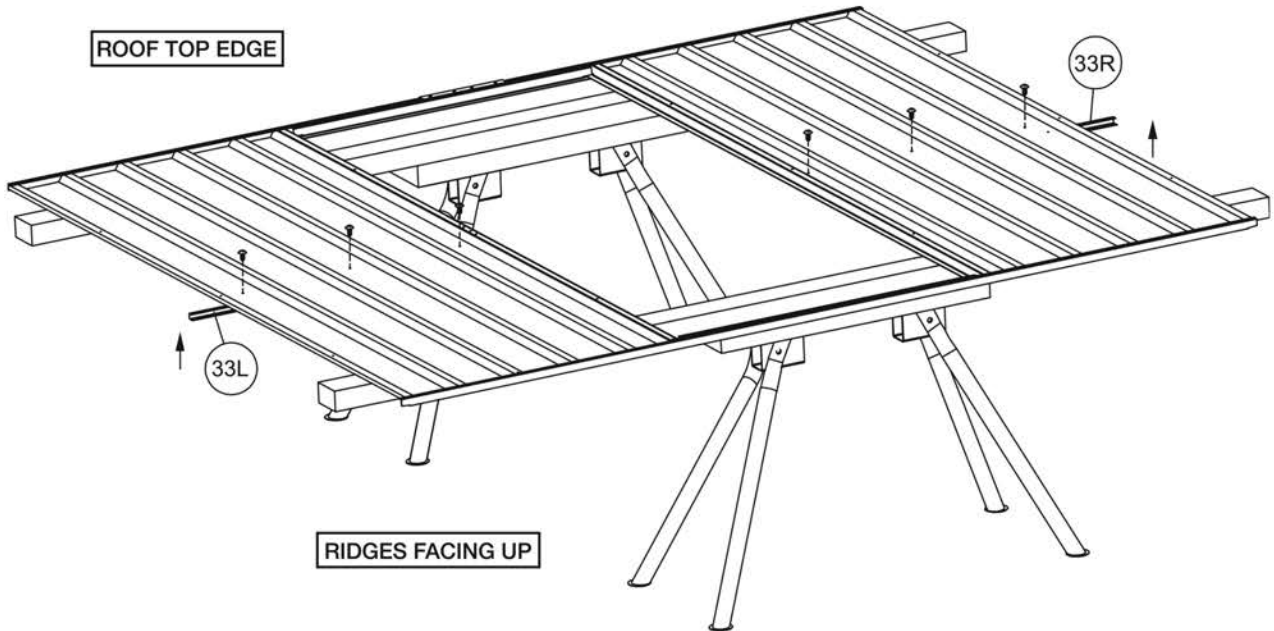
**Note:** Holes drilled in the edge of this sheet are not a defect. They are there to allow the door hinge rivets clearance through this sheet.



Fix parts 26P, 26N (top channels), 42A (jamb), 26L, 26M, and 23A (bottom channels) with self-tapping screws. Enhance the top channels by applying part 66 (channel connector).

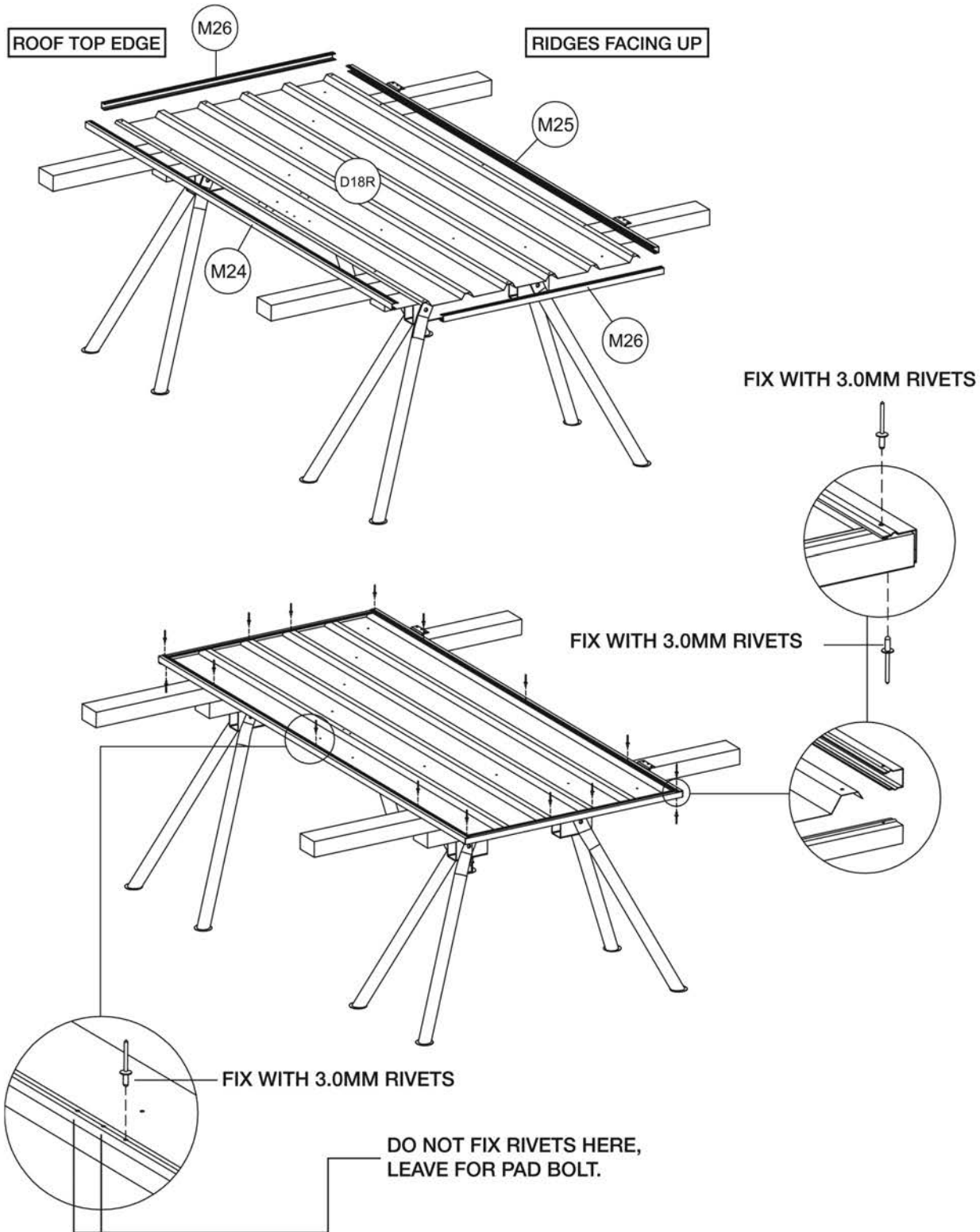
**Step 5:** Assemble the front wall panels (continued)

Now fix parts 33R and 33L (mid wall channels) to the sheeting with self-tapping screws. Please note the groove should face downwards.



**Step 6:** Assemble the front door

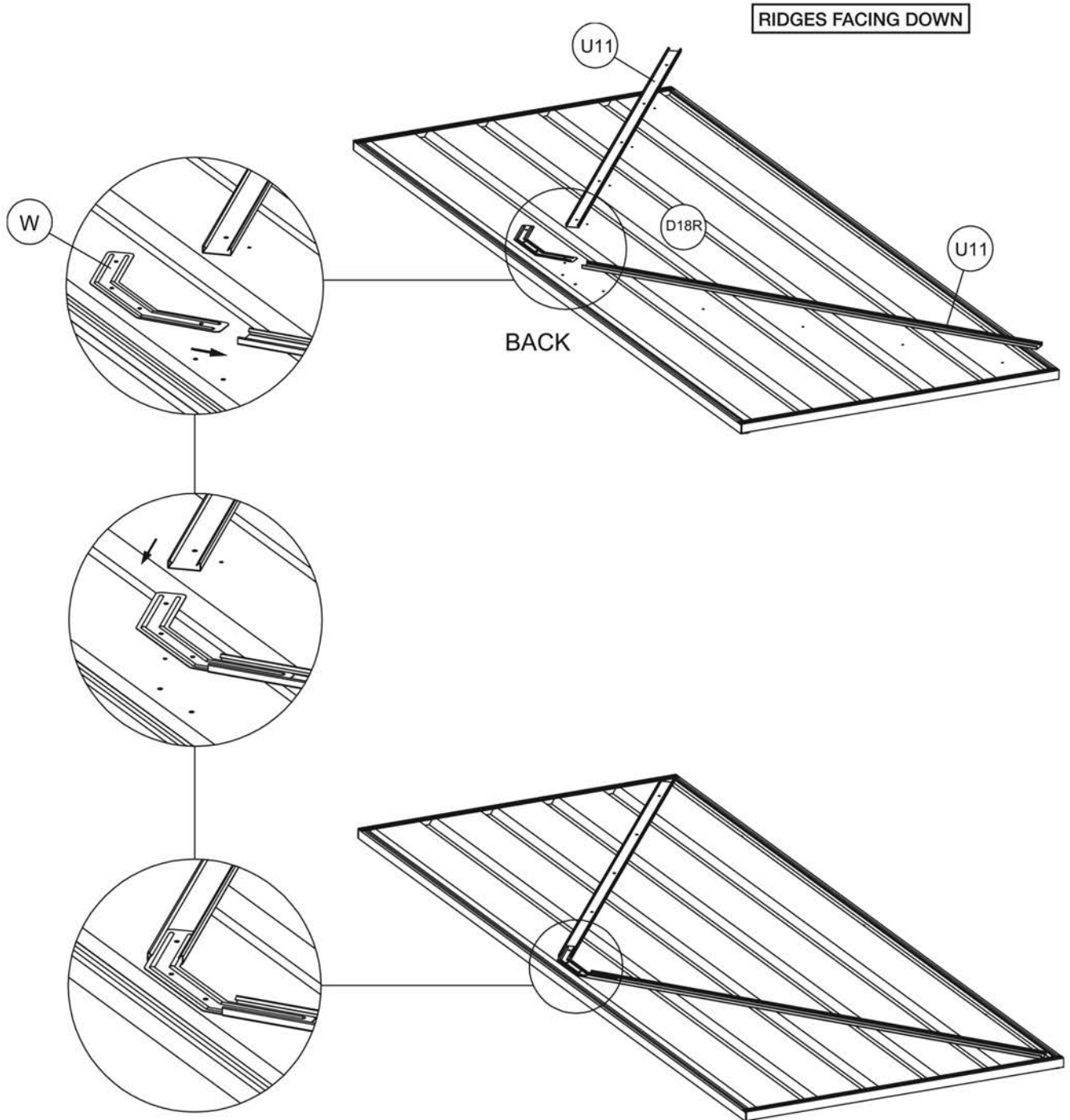
Place part D18R (door sheet) on the worktable and fit 2 x parts M26, M24, M25 (channels) to the door, fixing them with the provided 3.0 x 10mm rivets. Make sure the small lip on the channel is always facing out. This ensures rain water cannot build up inside your shed.





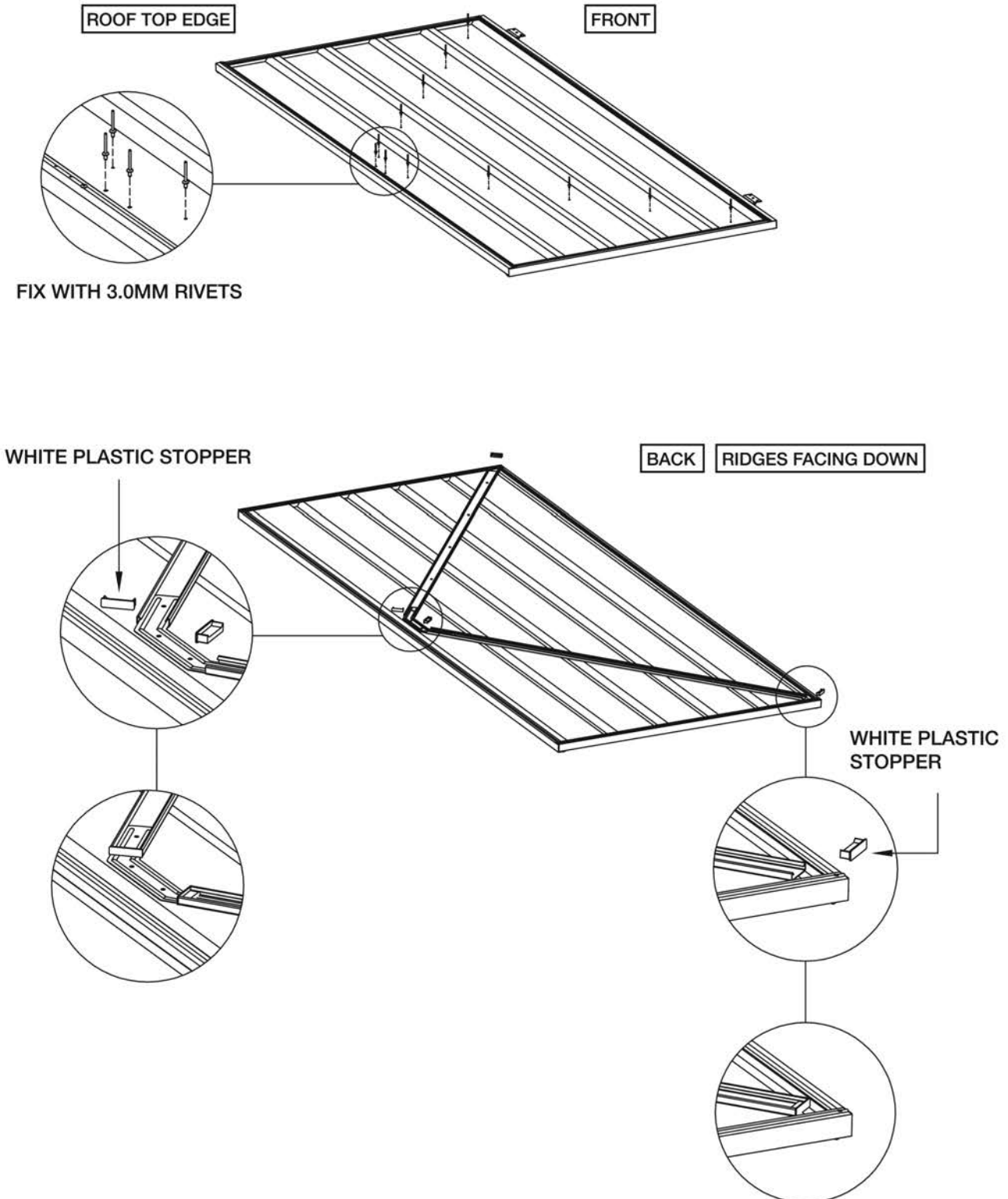
**Step 6:** Assemble the front door (continued)

Once channels are fitted to both doors, align 2 x part U11 (brace) and part W (joining brace) with holes on the back of the door and position temporarily with some tape or simply hold in place.



**Step 6:** Assemble the front door (continued)

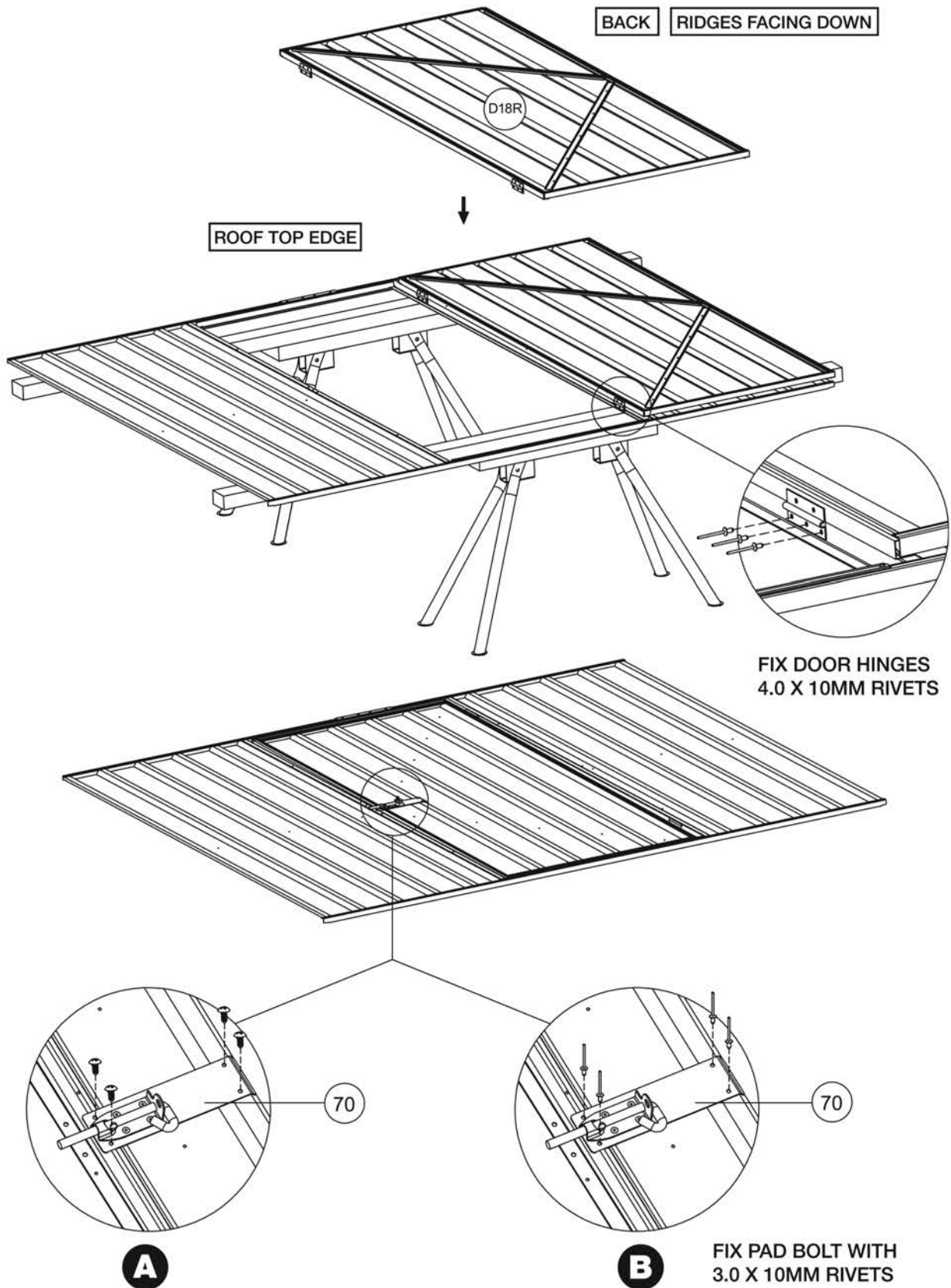
Turn door over with bracing aligned with holes (make sure the ridges of the door are facing up) and fix the bracing with the provided 3.0 x 10mm rivets through the front of the panel. Then turn door over and insert plastic stoppers at the ends of braces as shown below.





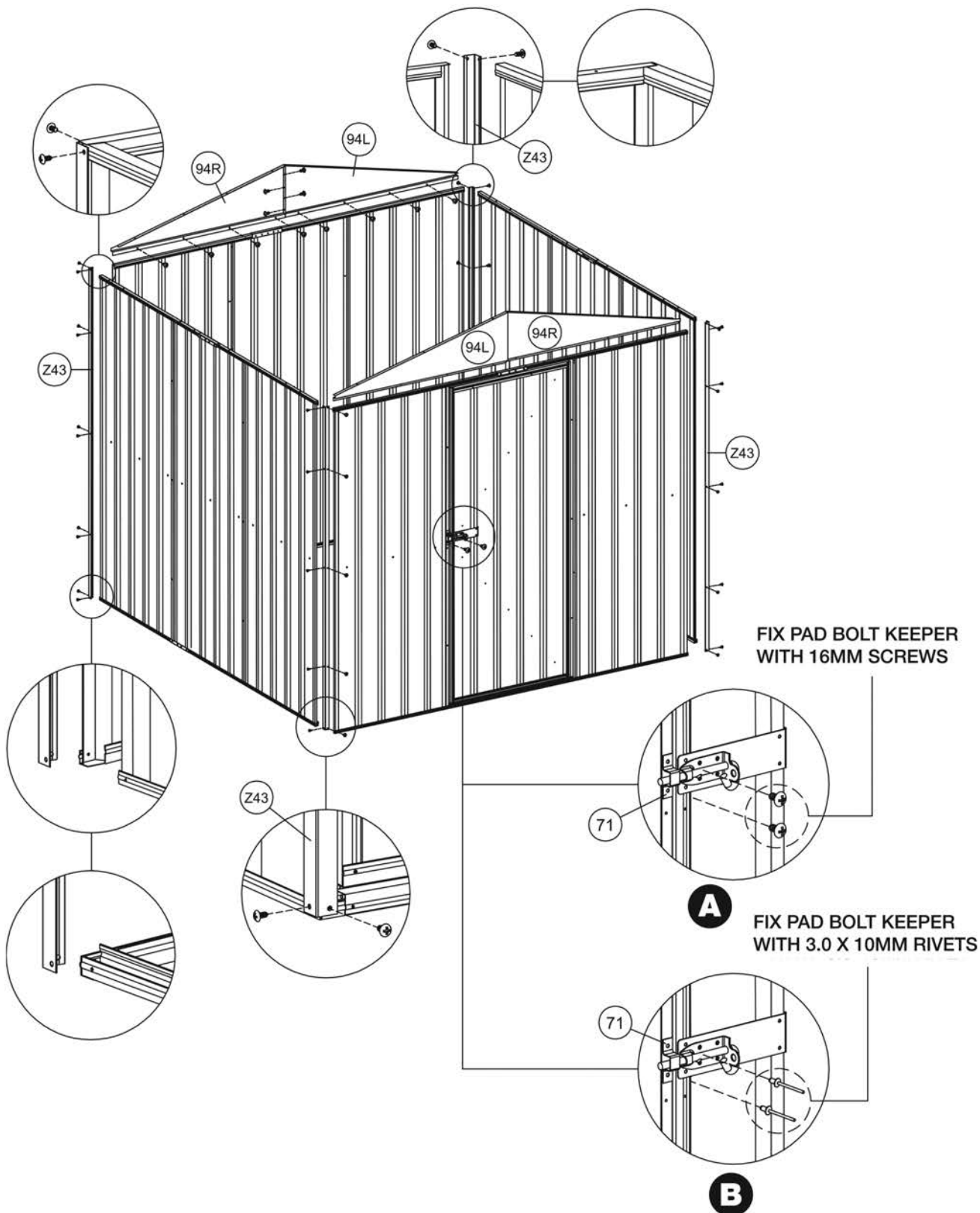
**Step 6:** Assemble the front door (continued)

Fit part D18R (assembled door) to the front wall panel as per the diagram below. Use a rivet gun to fix the door using the pre-drilled holes. Fix the pad bolt (but NOT its keeper at this stage) using the pre-drilled holes with the self-tapping screws or the rivets provided (see diagram A and B below).



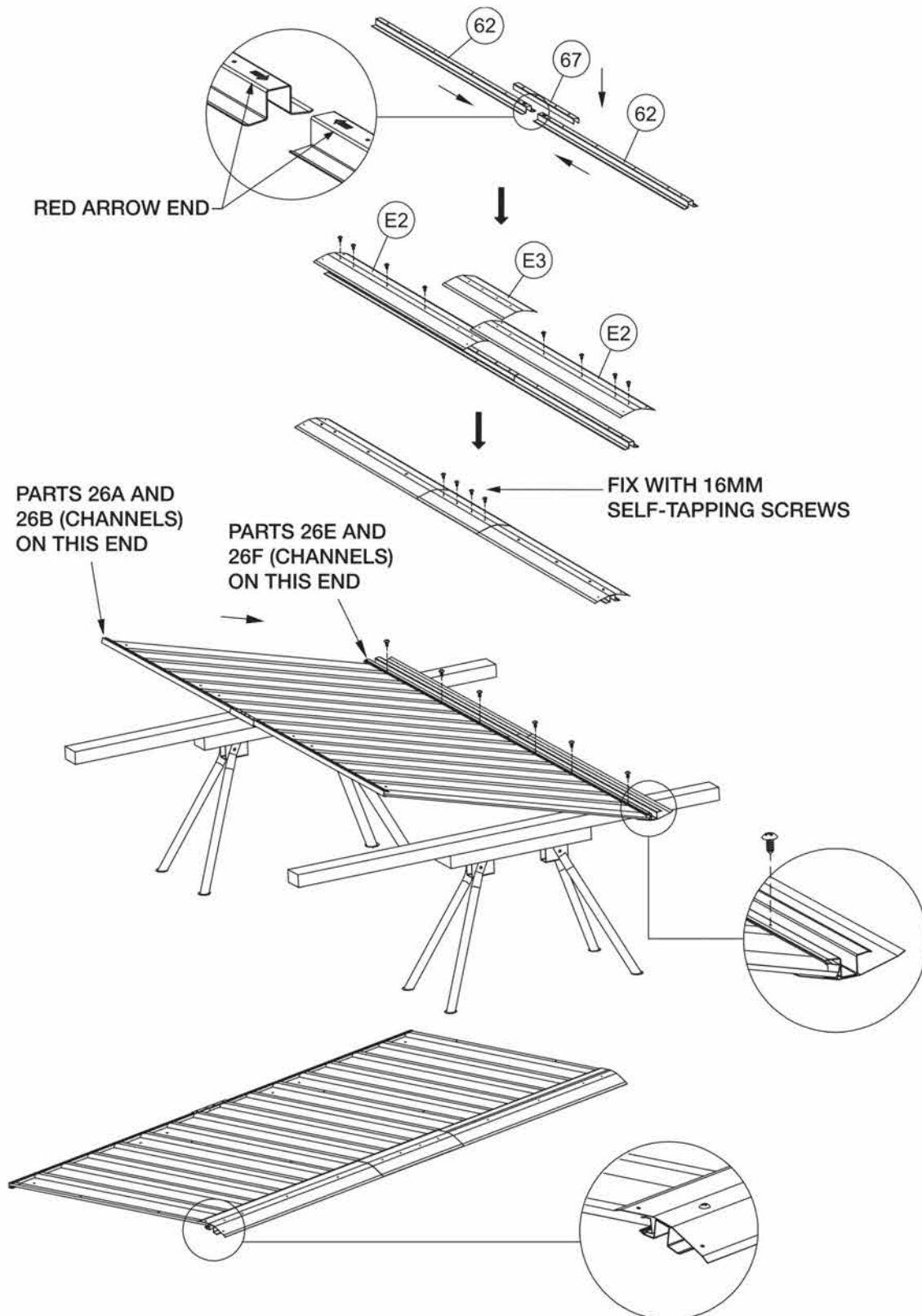
### Step 7: Fit the panels together

Now fix the front, side and rear panels and 2 x parts 94R, 2 x parts 94L (gables) together using the holes provided and then attach the pad bolt keeper using self-tapping screws (diagram A) or using rivets (diagram B). Also attach part Z43 (corner brace) to each corner using the self tapping screws provided.



**Step 7:** Fit the panels together (continued)

Join 2 x part 62 (ridge beam) with the end marked with red arrow using part 67 (ridge beam connector). Put on 2 x part E2 (gable cap) and join them using part E3 (gable cap connector). Fix this structure using the provided 16mm self-tapping screws.



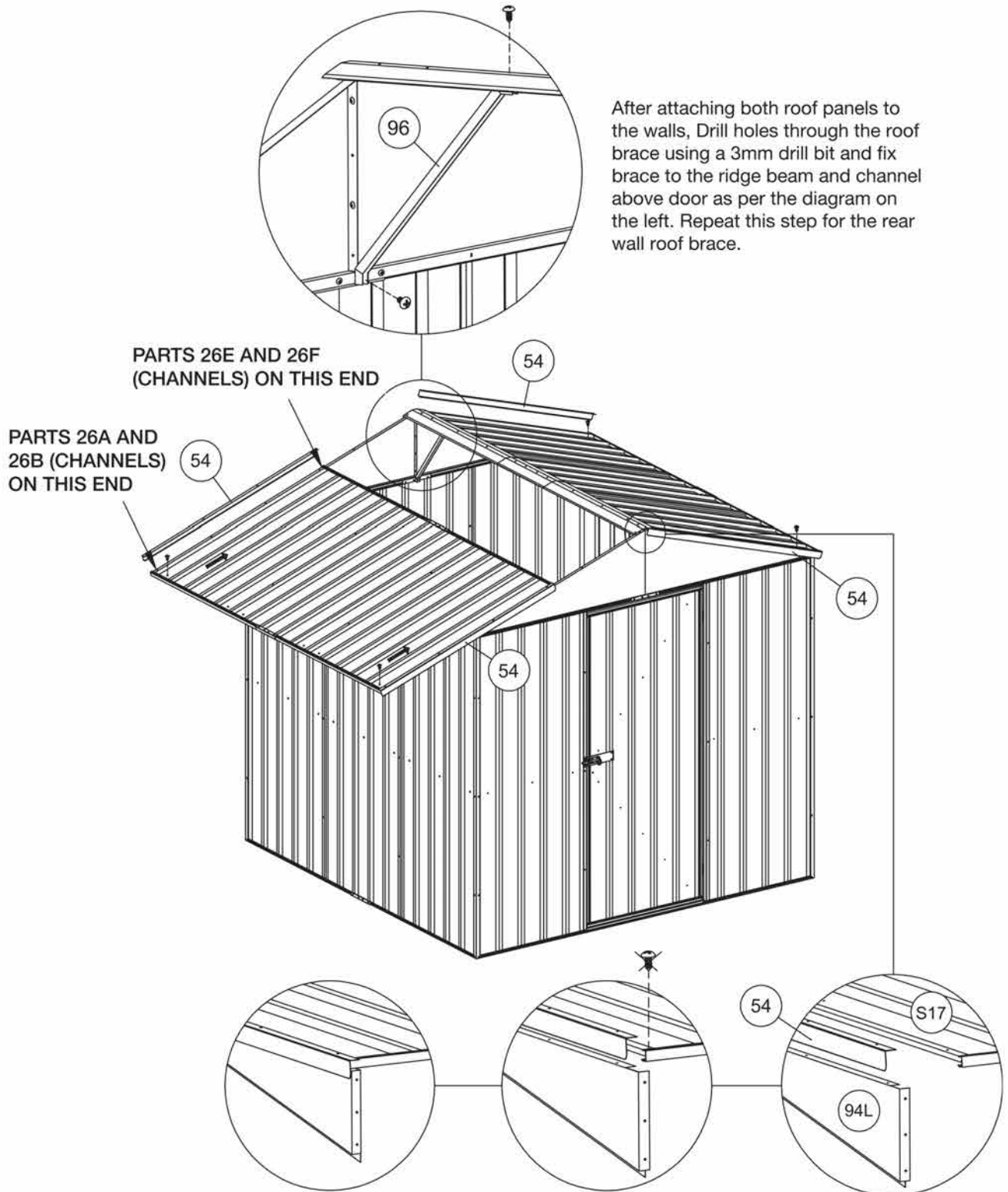
Slide the side of the roof panel with channels 26E and 26F into the ridge beam.



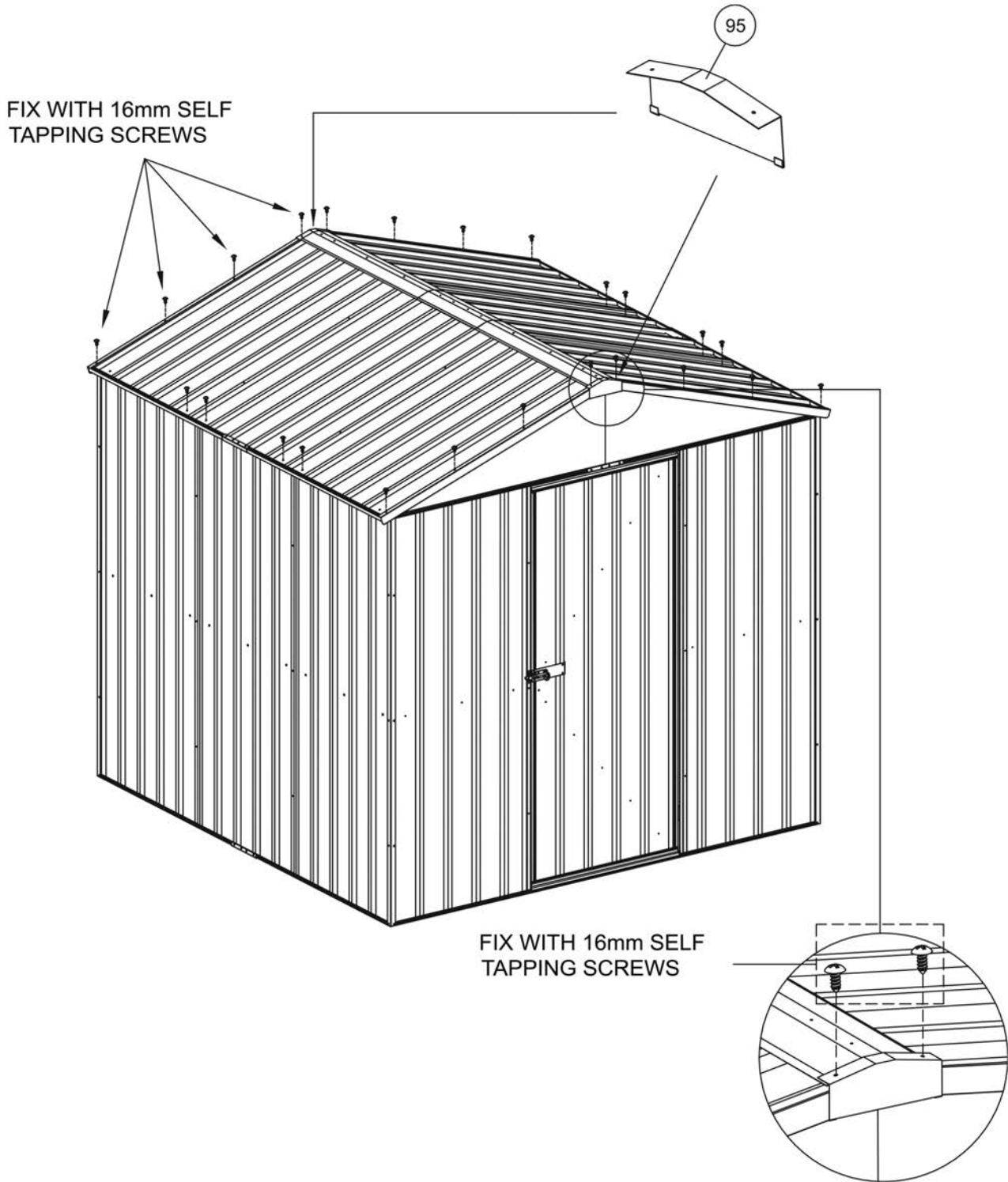
**Step 7:** Fit the panels together (continued)

Repeat the same step for the other assembled roof panel. Drill holes for roof brace using 3mm drill bit. Then fix the roof brace as per diagram below. Join the sheeting and the gable using part 54 (lip) and then fix the 4 corners using 16mm self-tapping screws.

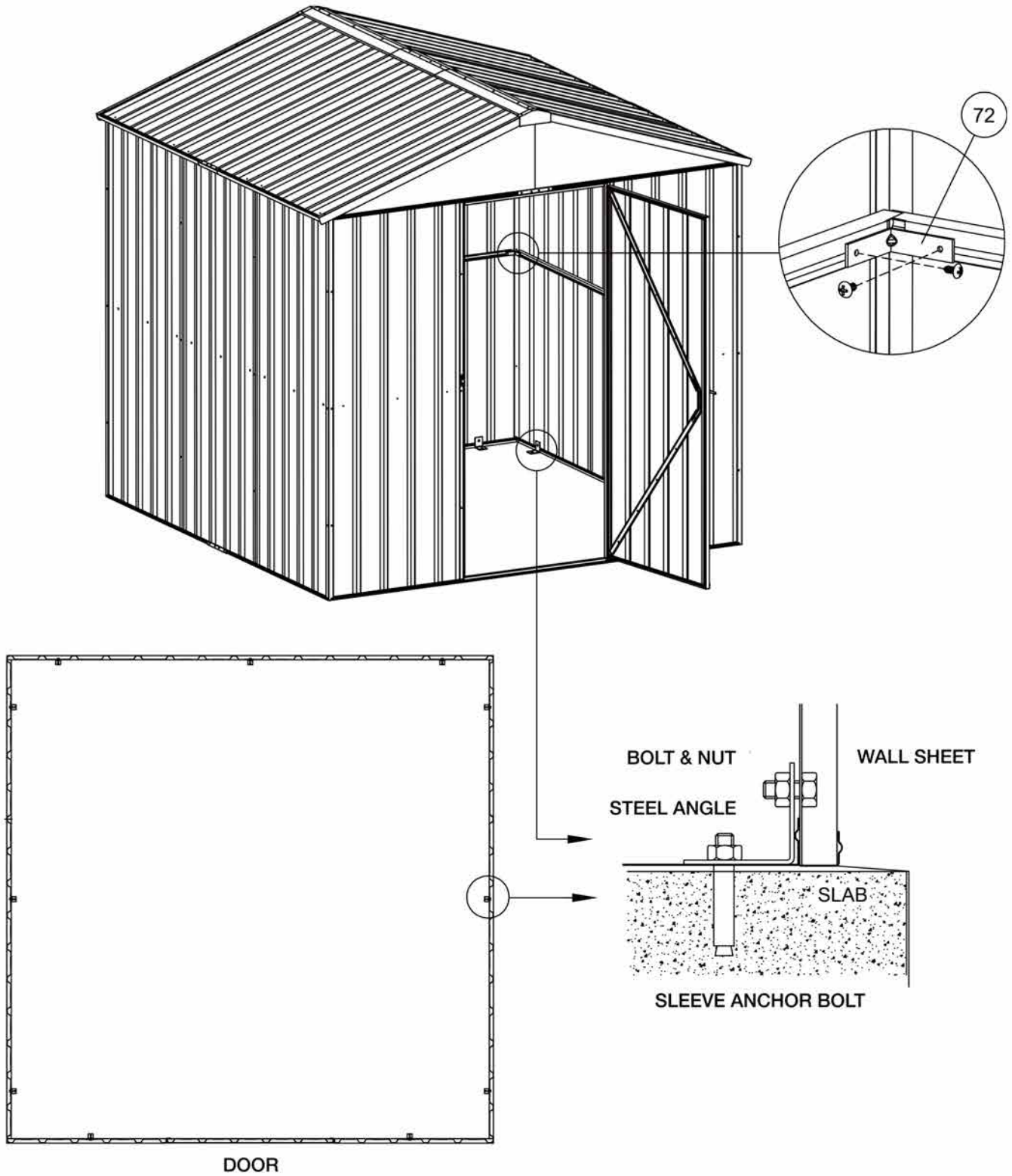
**Note:** Do not fix central screws marked with a cross at this stage).



Attach part 95 (logo cap) and fix the roof panels using 16mm self-tapping screws as per diagram below.

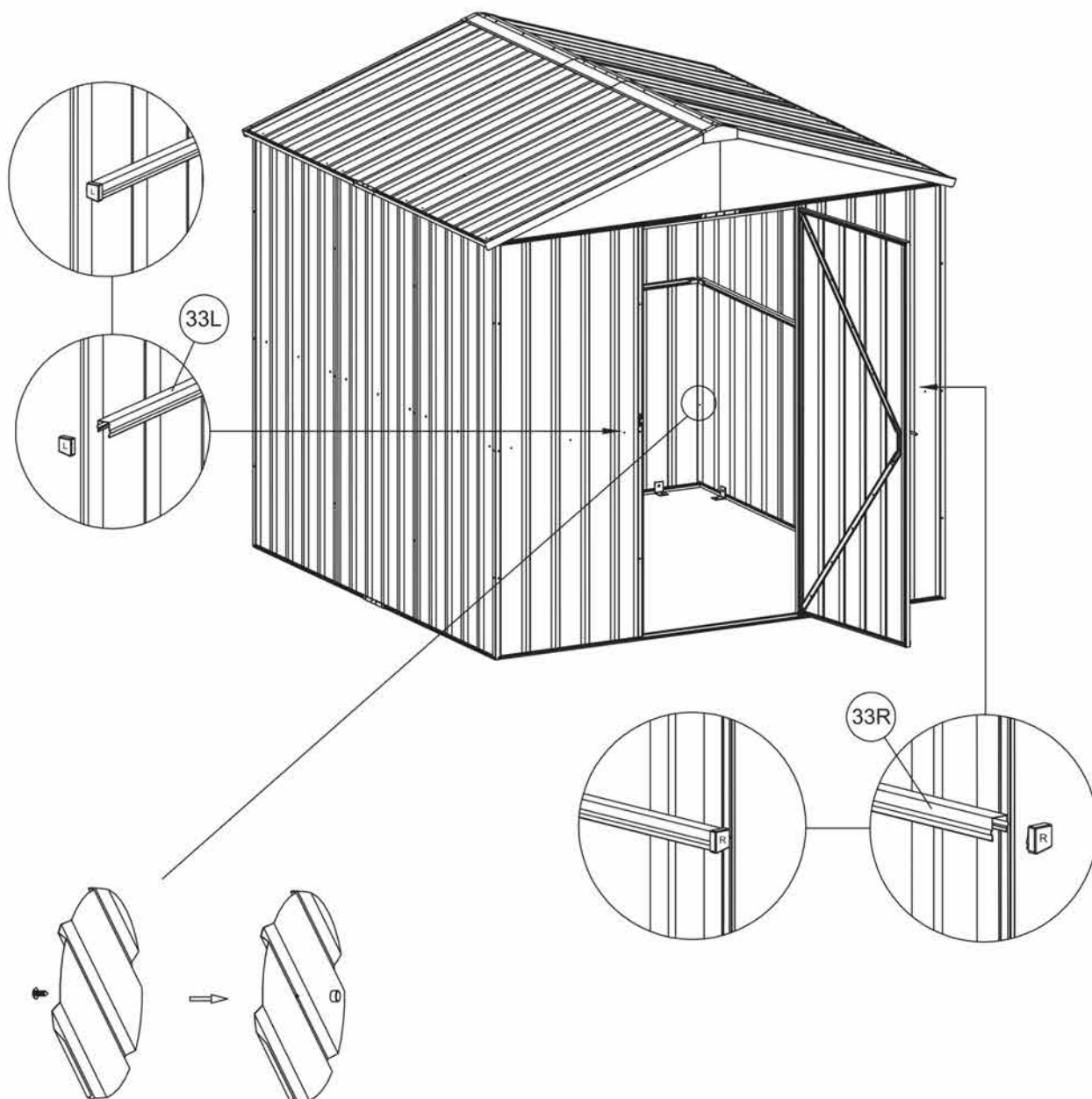


Now fit the bolt down kit as per the diagram below. Strengthen your mid wall brace by applying part 72 (mid wall brace bracket) to each corner if necessary.

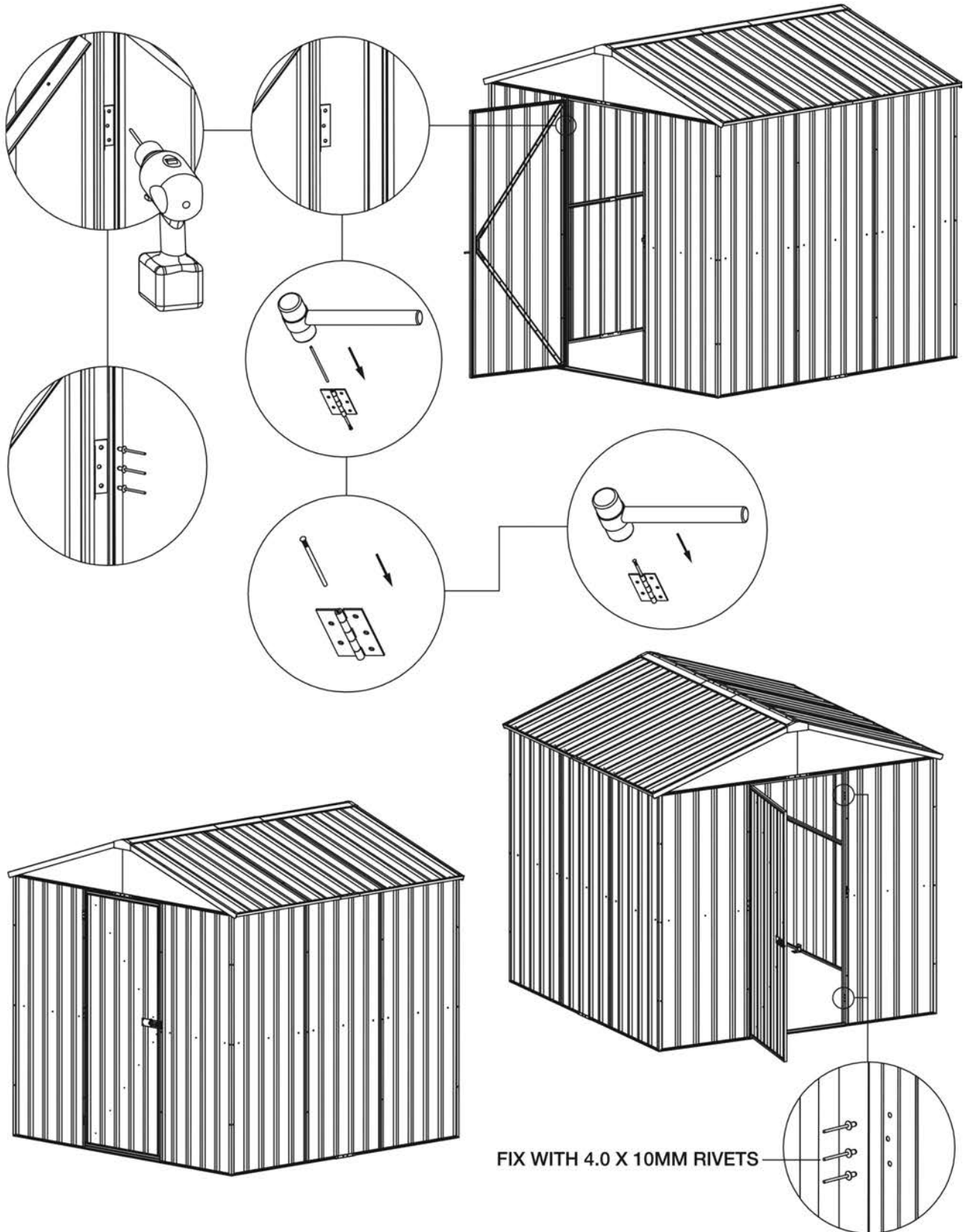




Apply channel safety cover L type to channel 33L and R type to channel 33R for safety. Also, apply the self-tapper covers to screw ends visible in walls on the inside of the shed.



The door can be hinged on the opposite side as well. Align the door with the edge and make holes using a cordless drill. Remove pins from the hinge and reverse their direction before you attach the door. If you are concerned about the visibility of any pre-drilled holes you can fill them with rivets. Perform the same procedure for the pad bolt.



### **Environment Protection and Waste Protection and Electrical Equipment Regulations (WEEE)**

Recycle unwanted packaging materials. When this product is no longer required, or has reached the end of its useful life, please dispose of it in an environmentally friendly way. Drain any fluids (if applicable) into approved containers, in accordance with local waste regulations. It is our policy to continually improve products and we reserve the right to alter data, specifications and parts without prior notice. No liability is accepted for incorrect use of this product. Guarantee is 12 months from purchase date, proof of which is required for any claim.


**Note:** It is our policy to continually improve products and as such we reserve the right to alter data, specifications and component parts without prior notice.

**Important:** No Liability is accepted for incorrect use of this product.

**Warranty:** Guarantee is 12 months from purchase date, proof of which is required for any claim.

## **Dellonda Limited**

Kempson Way, Suffolk Business Park, Bury St Edmunds, Suffolk. IP32 7AR

 01284 757575

 support@dellonda.co.uk

 www.dellonda.co.uk