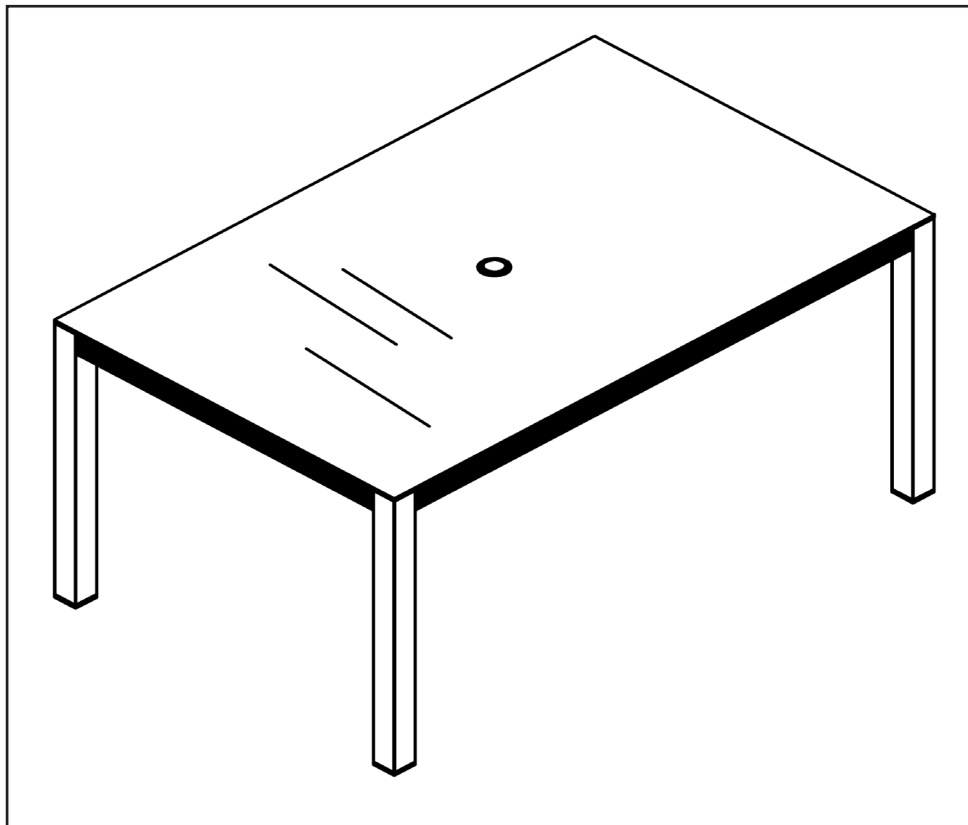




---

## **Fusion Shatterproof Tempered Glass Garden Dining Table with Parasol Hole**



**Model No. DG51**

Thank you for purchasing a Dellonda product. Manufactured to a high standard, this product will, if used according to these instructions, and properly maintained, give you years of trouble free performance.

## Important Information

Please read these instructions carefully. Note the safe operational requirements, warnings & cautions. Use the product correctly and with care for the purpose for which it is intended. Failure to do so may cause damage and/or personal injury and will invalidate the warranty. Keep these instructions safe for future use.



Refer to  
instruction  
manual



Wear gloves  
during  
assembly

## Specification

Model No.: DG51

Dimensions (W x D x H).....1525 x 960 x 740mm

## About the Product

Manufactured using powder coated rust proof aluminium. Includes 5mm shatterproof tempered glass table top with a central parasol hole. Some simple assembly is required.

## Safety Instructions

- **GENERAL SAFETY**
- **WARNING! The warnings, cautions and instructions in this manual cannot cover all possible conditions and situations that may occur. It must be understood by the operator that common sense and caution are factors which cannot be built into this product, but must be applied by the operator.**
- Ensure the item is assembled properly and securely.
- To avoid tipping, use on firm, level ground.
- **DO NOT** expose to high temperature heat sources i.e. barbecue.
- **DO NOT** stand on furniture.

## Assembly

- **CAUTION** It is inherent with fabricated steel parts That edges and corners can cause cuts if improperly handled during assembly. **BE CAREFUL** and wear correct work gloves.

## Maintenance

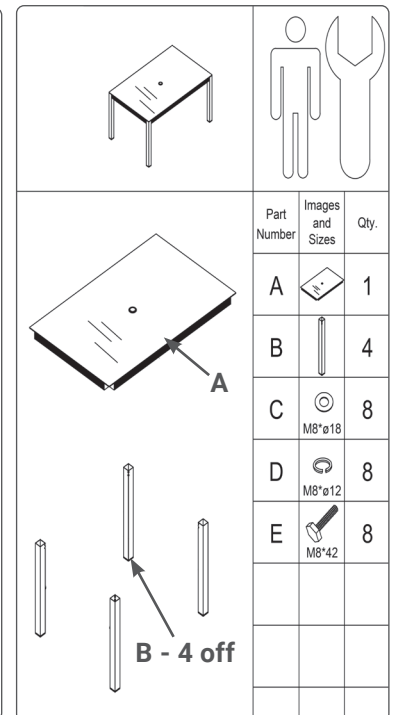
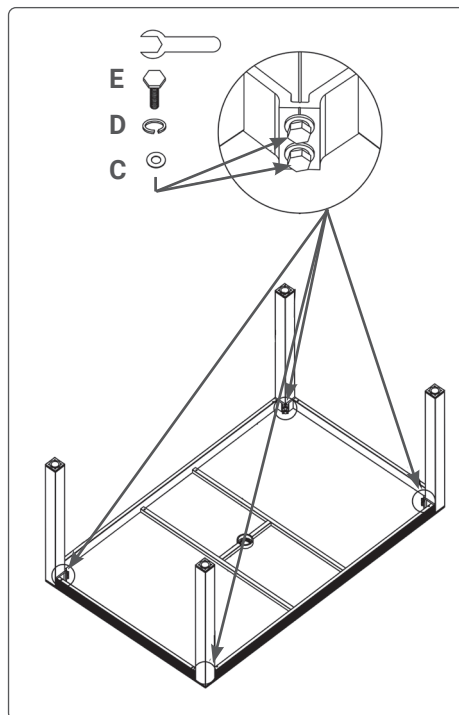
- Perform Maintenance at least once a year in order to extend the life of your furniture.
- Regularly check all fixings are secure.
- Any modifications of this appliance may be dangerous and are not permitted. **DO NOT** alter parts supplied by the manufacturer.

## Cleaning

- Regularly wipe down the with hot soapy water.

## Storage

- We recommend you use a cover to protect this item when not in use. Covers must be removed periodically to minimise moisture build up.



## Environment Protection and Waste Protection and Electrical Equipment Regulations (WEEE)

Recycle unwanted packaging materials. When this product is no longer required, or has reached the end of its useful life, please dispose of it in an environmentally friendly way. It is our policy to continually improve products and we reserve the right to alter data, specifications and parts without prior notice. No liability is accepted for incorrect use of this product. Guarantee is 12 months from purchase date, proof of which is required for any claim.

## Dellonda Limited

Kempson Way, Suffolk Business Park, Bury St Edmunds, Suffolk. IP32 7AR

01284 757575

support@dellonda.co.uk

www.dellonda.co.uk