



---

**Dellonda Premium 3x3m Pop-Up Gazebo  
Water Resistant Carry Bag, Stakes, Weight  
Bags - Beige, Blue, Dark Green and Grey**



**Model No. DG130, DG131, DG132, DG133**

Thank you for purchasing a Dellonda product. Manufactured to a high standard, this product will, if used according to these instructions, and properly maintained, give you years of trouble free performance.

## Important Information

Please read these instructions carefully. Note the safe operational requirements, warnings & cautions. Use the product correctly and with care for the purpose for which it is intended. Failure to do so may cause damage and/or personal injury and will invalidate the warranty. Keep these instructions safe for future use.



Refer to  
instruction  
manual



Wear protective  
gloves

## About the Product

Premium, height adjustable pop-up style gazebo. Features PVC coated, water resistant canopy making it the perfect shelter even on rainy days. Suitable for use on a range of surfaces such as grass, decking and patios. Support struts in the gazebo roof mean there is no need for wind bars. Supplied with 4 x guide ropes, 4 x pegs/stakes, 4 x weight bags suitable for use with sand and 1 x carry bag. Available in four canopy colours: Beige, Blue, Dark Green & Grey. Side walls available separately.

### • SPECIFICATION

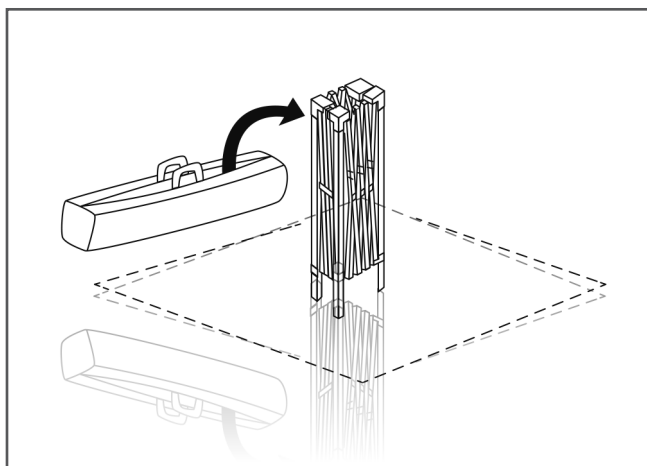
- **Model no:** ..... **DG130, DG131, DG132, DG133**
- **Size:** ..... 3x3m (10 x 10ft)
- Gazebo Legs: ..... Steel Tube 30 x 25mm
- Gazebo Metal Struts/Cross Bars Thickness: ..... 0.7mm
- Canopy: ..... 260g/m<sup>2</sup> **PVC** Coating Oxford Fabric

## Safety Instructions

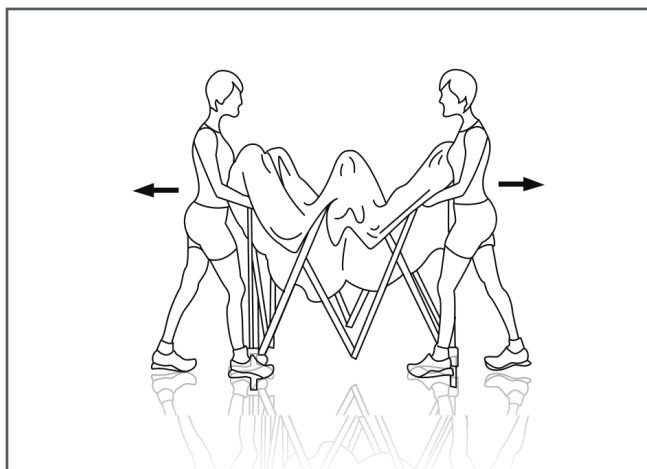
- Always read these instructions fully before assembling and using your Gazebo.
- This is a temporary structure and is not recommended as a permanent structure.
- Choose your shelter's location carefully. Check for overhead utility lines, branches, etc.
- **DO NOT** install near rooves or other structures that may shed snow, ice or excessive run-off onto your shelter. Keep away from electrical wires!
- Have an overview of all parts before attempting erection and positioning.
- **DO NOT** use this product in environments for which it is not intended (i.e. extreme cold, high winds, extreme heat, heavy rainfall, etc).
- Always wear safety glasses when assembling this product. Wear gloves when working with tubing to prevent cuts or abrasions.
- **WARNING!** Anchors must be used with all shelters.
- Proper anchoring and keeping cover tight and free of snow and debris, is the responsibility of the consumer. Damages caused by improper anchoring are not covered under warranty.
- **WARNING!** Keep all flame and heat sources away from the shelter fabric. The fabric will burn if left in continuous contact with a flame source.
- **DO NOT** use open flames or cooking or heating devices inside or in close proximity to the product, including all types of stoves, gas heaters, gas lanterns, citronella torches, mosquito coils, etc.
- **WARNING!** In order to reduce risk of burning and avoid damage, **DO NOT:**
  - cook, smoke, refuel or use any open flame devices in or around the shelter.
  - store flammable liquids (gasoline, kerosene, propane, etc.) in the shelter.
  - operate gas powered equipment in or around the shelter.
- Keep open flames a safe distance away from the shelter.
- **DO NOT** use hard-edged tools or instruments, such as rakes or shovels, to remove snow. These can cause punctures to the cover.
- **DO NOT** use bleach, alkaline or harsh detergents for cleaning. Soap and warm water are recommended.
- This temporary shelter is intended to offer some protection from sunlight, light rain, light snow, tree sap, bird and animal excrements.
- **DO NOT** use it to shield goods from high winds, heavy snow or ice storms. Only use it for its intended use.
- **WARNING!** This gazebo should be erected with the ground fixing kit provided, this is so it will not be affected by stronger winds or adverse weather conditions.
- **DO NOT** position the gazebo within 2 metres of anything such as paddling pools, trampolines, swings, slides and climbing frames, fences walls or other garden structures.
- Ensure there is always adequate ventilation if the walls and doors are being used, never block the entrance and ensure you always have a clear route to the exit.
- Components are not equally durable and so may need to be replaced over time at different intervals.
- To clean, use warm soapy water and a soft damp cloth.
- Never use solvents, scourers, abrasives, bleach, acids, strong detergents or aggressive chemical cleaners on these products.
- **DO NOT** use a high-pressure washer to clean this product.
- This product has a reasonable level of protection against **UV** degradation, however as with any material it will begin to fade and degrade after long periods of exposure to the sun.
- **DO NOT** use in strong wind conditions and secure using the appropriate ground fixings and/or weights.
- **WARNING!** This Gazebo is for **outdoor use only**.

## PITCHING THE GAZEBO

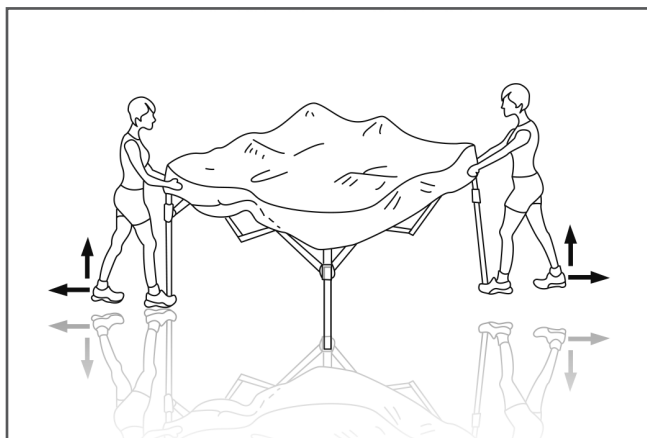
- **NOTE:** Follow these instructions carefully to avoid pinching your hands or fingers in any of the moving parts as the frame opens and closes.
- **Requires two people (minimum).**
- **CAUTION:** Attempting to put up the Pop-Up Gazebo in windy conditions may be hazardous and could result in injury and/or damage to the product.
- Place your Pop-Up Gazebo in the centre of the area to be sheltered.
- Remove the carry bag and stand the Gazebo on its feet.
- Check to make sure that the roof struts are not stuck before moving.



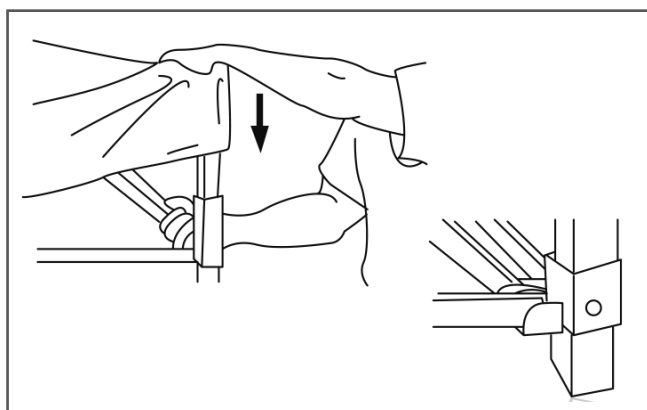
- With your assistant on the opposite side, grasp two outer legs, slightly lift the frame off the ground and take a small step backwards.
- Be careful not to pull backwards too hard as this will result in the side supports bending.



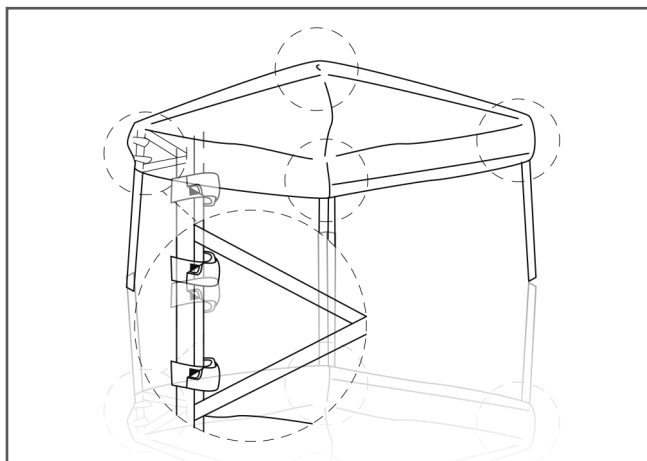
- Push the top and bottom of the diamond formed by side supports together.
- Move to the opposite corner and do the same.
- Move from one corner pole to the other taking a small step backwards each time until the Gazebo is almost fully open.
- (You may find it easier to place the canopy over frame at this stage. Loose fit it over the corners, you can attach the tabs over the frame struts as detailed after the next section).



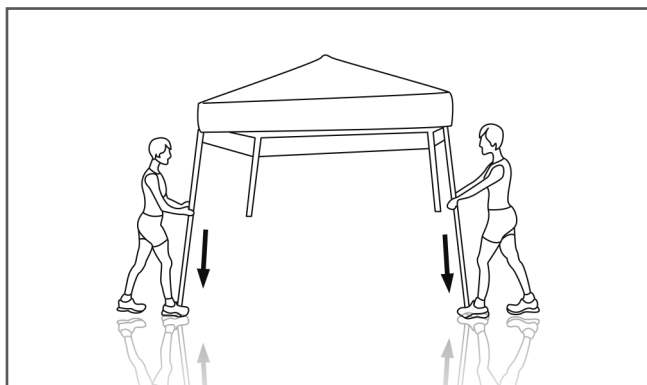
- Engage the slider at each corner by pushing up with one hand while holding down the top of the leg with the other hand.
- A snap button will engage in the locating hole.
- Repeat this operation on the remaining three legs.



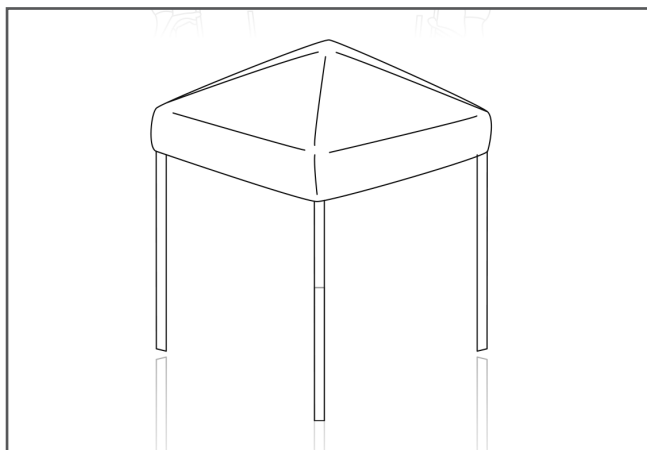
- Place the canopy over the frame.
- Attach the hook and loop tabs, located on the underside of the top cover, around the frame struts.



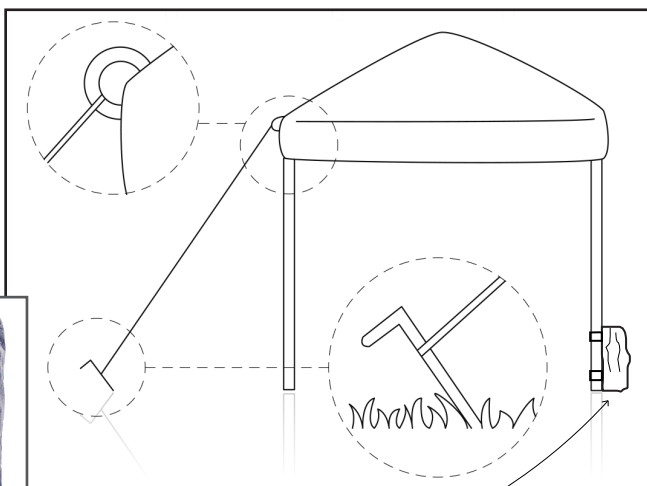
- You and your assistant should each place a foot on the foot plate of the bottom of adjacent legs and lift up the leg, sliding the inner leg out until the snap button locks in the locating hole.
- Repeat this operation for the other two legs.



- Square up the Pop-Up Gazebo.

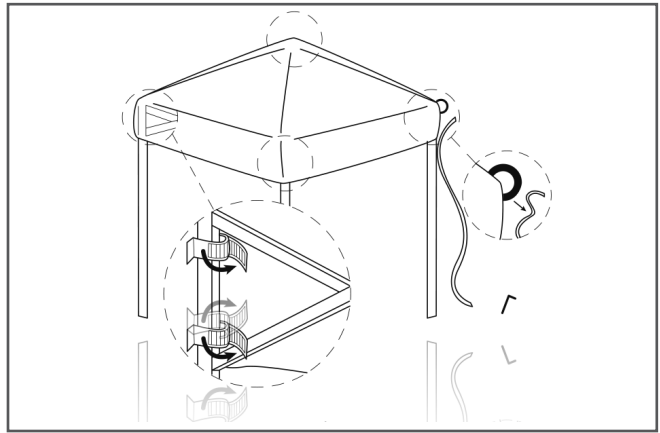


- Use the guide ropes attached to the ring on each corner of the roof cover and the ground stakes to secure your Pop-Up Gazebo to the ground.
- Alternatively (or in addition), use the stakes through the hole in each leg foot.
- Weight bags are also included and can be filled with a suitable material and tied around the base of the Gazebo legs.
- **Note: The roof canopy is fitted with 'storm drain' eyelets to help prevent water pooling up on the roof in extreme weather conditions – these should not be blocked.**

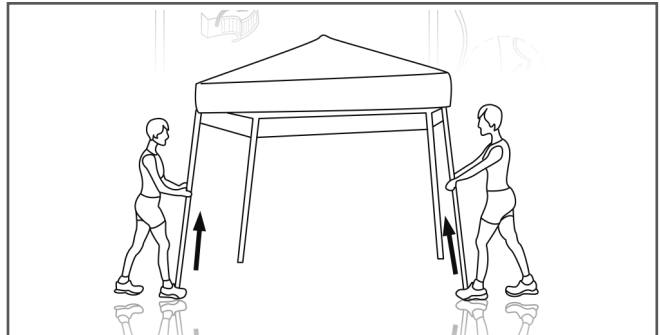


## TAKING THE GAZEBO DOWN

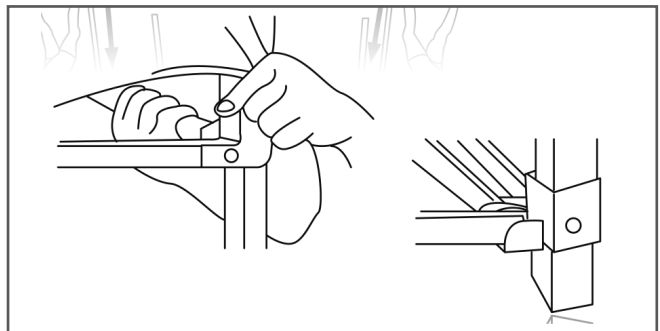
- Remove any ground stakes and guide ropes, undo the hook and loop tabs off the top cover from around the top of the frame.



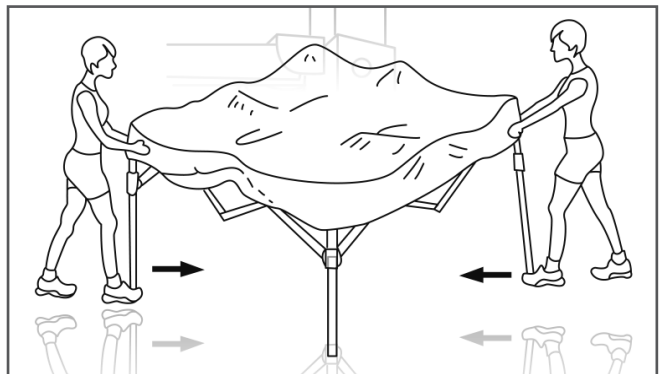
- You and your assistant should each lift up two adjacent outer legs lightly, depress the snap button and push the telescopic inner legs into the out legs.
- Repeat this for the remaining two legs.



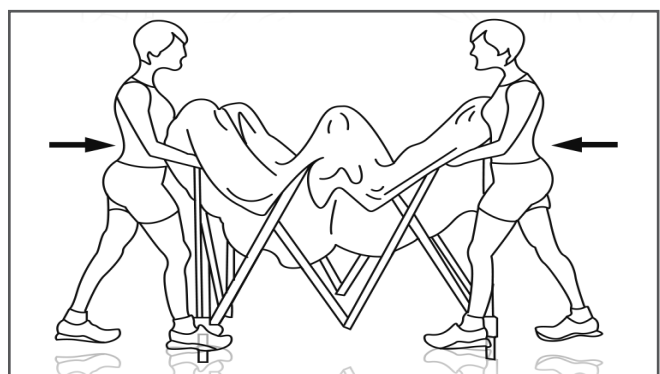
- Release the slider at all four corners with a slight upward lift pressure with one hand while depressing the snap button to release the slider with the other.
- Push slider down past the snap button.



- Each person should grasp the top of the diamond (see diagram) on the opposite side and slightly lift up. Shake the canopy a little. Pull hands apart while stepping towards your partner until the unit is three quarters closed.



- Grasp the two outer legs. Slightly lift off the ground and push together to fully close.
- Finally having made sure the canopy material is completely dry return the folded up canopy to the storage bag.



## SIDE WALLS (Optional)

- Side walls are available for this product, they hang from the canopy skirt and attach with hook and loop seams.

## STORAGE

- Ensure that the canopy and walls are clean, mud-free and completely dry before they are packed away in their storage bags.
- Wipe down the bottom part of the frame legs that may have been exposed to mud and dirt.
- Ensuring the gazebo is completely dry before storage give the best chance for the integrity of the components and materials.

### Environment Protection and Waste Protection and Electrical Equipment Regulations (WEEE)

Recycle unwanted packaging materials. When this product is no longer required, or has reached the end of its useful life, please dispose of it in an environmentally friendly way. Drain any fluids (if applicable) into approved containers, in accordance with local waste regulations. It is our policy to continually improve products and we reserve the right to alter data, specifications and parts without prior notice. No liability is accepted for incorrect use of this product.

**Note:** It is our policy to continually improve products and as such we reserve the right to alter data, specifications and component parts without prior notice.

**Important:** No Liability is accepted for incorrect use of this product.

**Warranty:** Guarantee is 12 months from purchase date, proof of which is required for any claim.

## Dellonda Limited

Kempson Way, Suffolk Business Park, Bury St Edmunds, Suffolk. IP32 7AR



01284 757575



support@dellonda.co.uk



www.dellonda.co.uk