



---

# Dellonda 28" Adjustable Standing Desk Riser

505mm Max Height 15kg Load Capacity



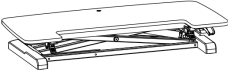



## Model No. DH14

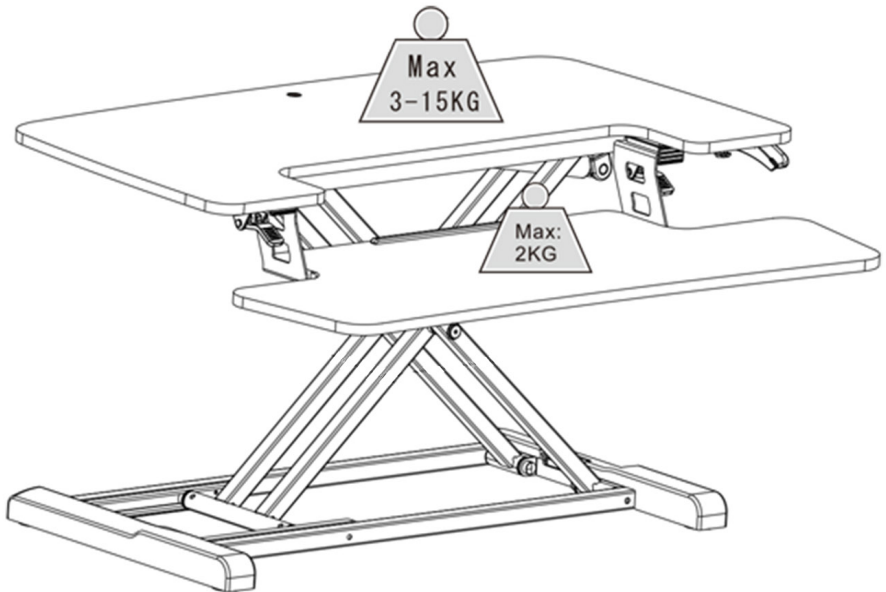
Thank you for purchasing a Dellonda product. Manufactured to a high standard, this product will, if used according to these instructions, and properly maintained, give you years of trouble free performance.

## Important Information

Please read these instructions carefully. Note the safe operational requirements, warnings & cautions. Use the product correctly and with care for the purpose for which it is intended. Failure to do so may cause damage and/or personal injury and will invalidate the warranty. Keep these instructions safe for future use.

## Contents

A	 x1	B	 x1	C	 x4
No.	Spare part				
D	 x2				



## About the Product

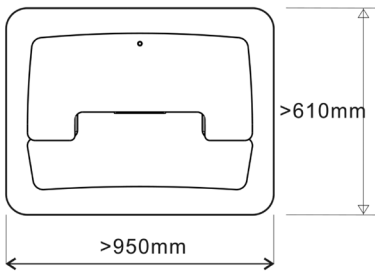
Height adjustable desk riser creates the possibility of a sitting or standing working environment. Spacious 28" work surface enables you to keep all your essential office items in one space. Features sizeable keyboard tray which is easily removable when not in use. Desk riser is vertically adjustable ensuring you stay within the footprint of your desktop.

## Safety Instructions

- **WARNING! DO NOT** put hands near the supporting bars, as they change during adjusting and may hurt you.
- Make sure all installed equipments are on the table, and not sticking out of the edge, or it may harm or cause damage.
- Leave enough length of cable for height adjustment function, otherwise the cable may be accidentally unplugged.
- First adjust it to the highest, then remove equipment to avoid harm or damage.
- Move it by two persons, or parts may collide and cause damage.
- Place the product properly according to size of it, or it may harm or cause damage.

## Positioning, Lighting, Usage & Care Information

- Ensure the desk riser is positioned on a permanent, flat, level, surface away from any tabletop edges.



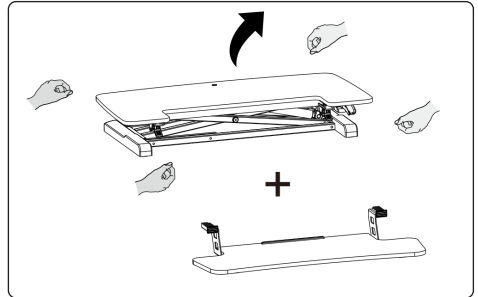
**WARNING! DO NOT** exceed the weight limit

Loading range	3~15Kg
Height adjustment range	120 - 505 mm

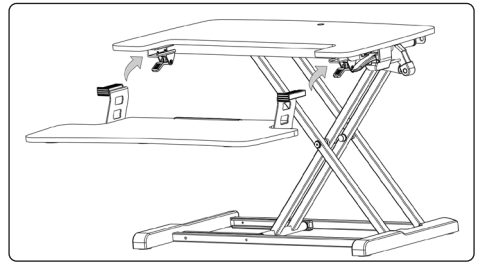
- Ensure that the surface that you place the desk riser on is strong enough to support the desk riser and any equipment you are planning on using.

## Assembly

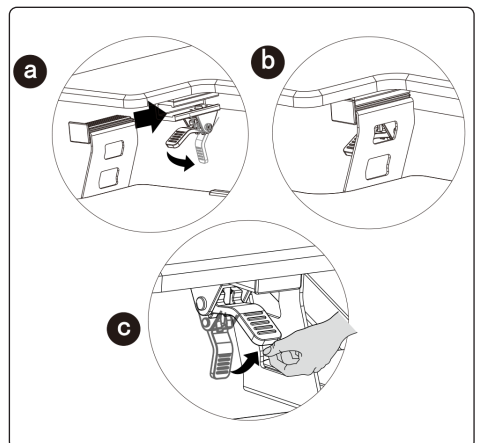
- Remove the desk riser parts from the packaging.



- Check the contents are correct before you start assembling the desk riser.



- Lock the keyboard tray into place using the latches.



## Specification

Work Surface Size (W x D):	720 x 415mm
Keyboard Tray Size (W x D):	720 x 308mm
Height Range:	120 - 505mm
Load Capacity	15kg



Recycle unwanted materials instead of disposing of them as waste. All tools, accessories and packaging should be sorted, taken to a recycling centre and disposed of in a manner which is compatible with the environment. When the product becomes completely unserviceable and requires disposal, drain any fluids (if applicable) into approved containers and dispose of the product and fluids according to local regulations.

**Note:** It is Dellonda's policy to continually improve products and we reserve the right to alter data, specifications and component parts without prior notice.

**Important:** No Liability is accepted for incorrect use of this product.

**Warranty:** Guarantee is 12 months from purchase date, proof of which will be required.

### Dellonda Limited

Kempson Way, Suffolk Business Park, Bury St Edmunds, Suffolk. IP32 7AR



01284 757575



support@dellonda.co.uk



www.dellonda.co.uk