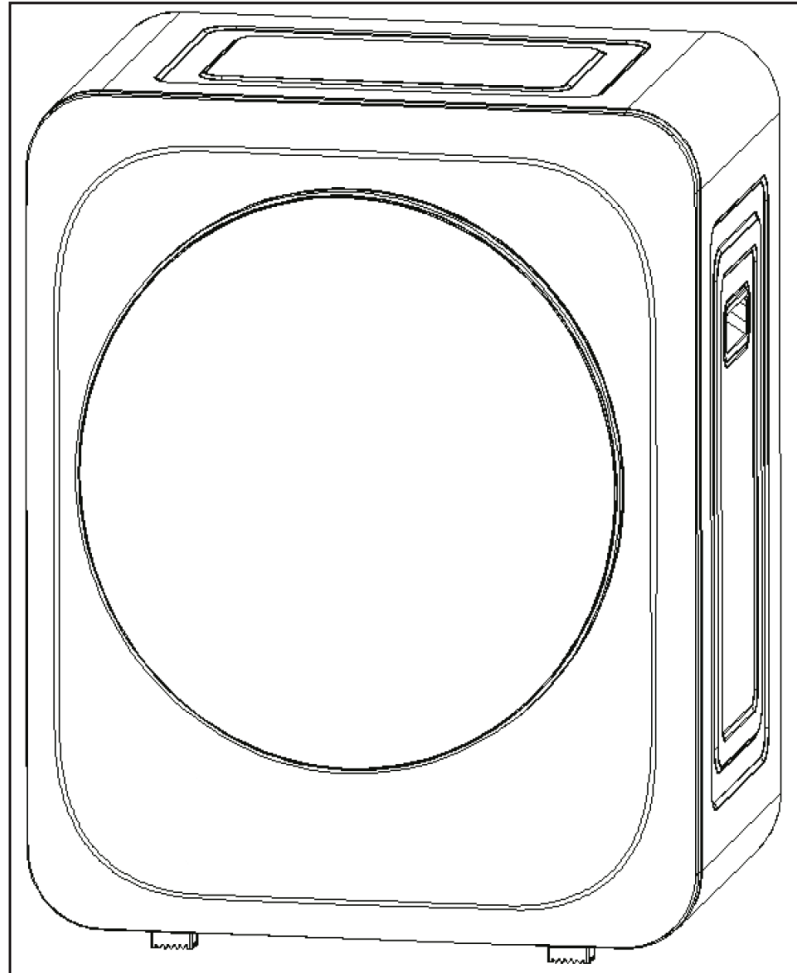


baridi

Small Tumble Dryer, Black Portable 2.5kg Vented, Perfect for Counter Tops, Digital Controls



Model No. DH229

Thank you for purchasing a Dellonda product. Manufactured to a high standard, this product will, if used according to these instructions, and properly maintained, give you years of trouble free performance.

Important Information

Please read these instructions carefully and note any safe operational requirements, warnings & cautions. Use the product correctly and with care for the purpose for which it is intended. Failure to do so may cause damage and/or personal injury and will invalidate the warranty. Keep these instructions safe for future use.



Refer to
instruction
manual



Warning:
Hot
Surface



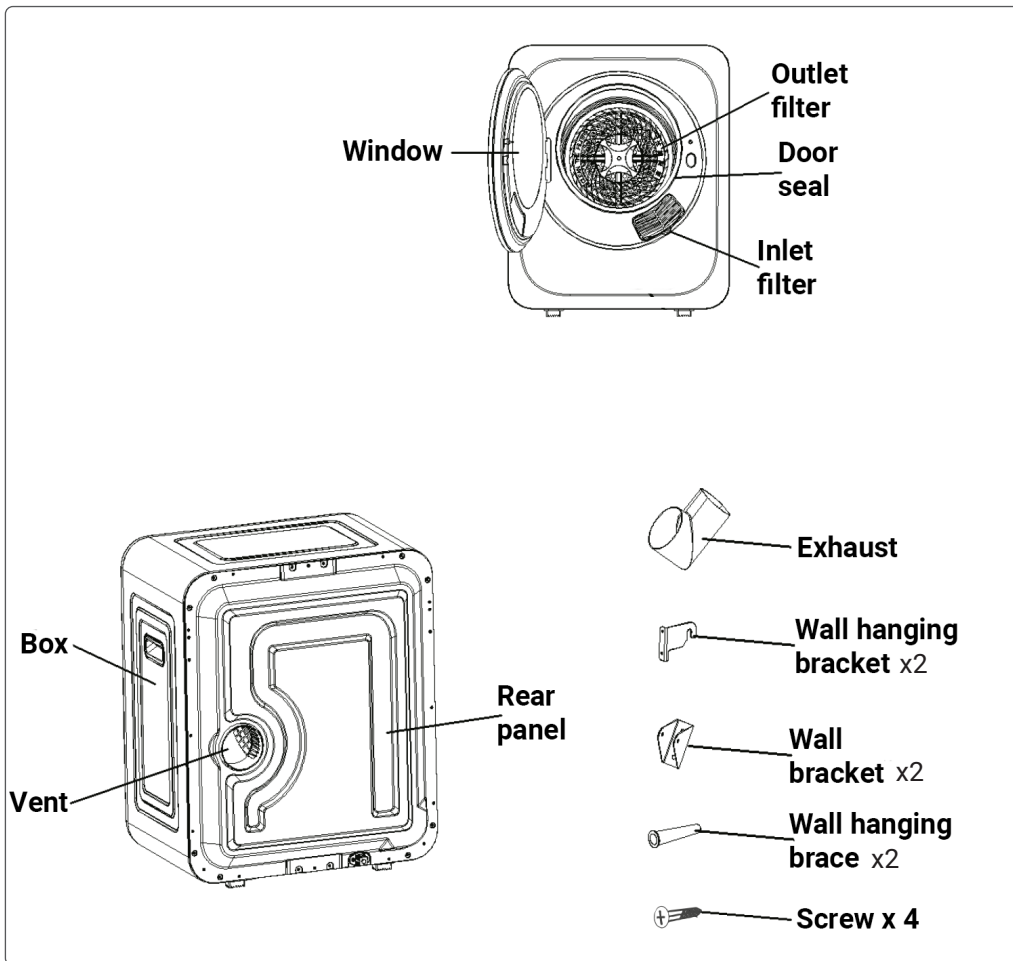
Caution:
Fire

- **WARNING!** It is the user's responsibility to read and follow these instructions
- Check all electrical equipment and appliances to ensure that they are safe before using. Inspect power supply leads, plugs and all electrical connections for wear and damage. Sealey recommend that an RCD (Residual Current Device) is used with all electrical products.
- Electrical safety information. It is important that the following information is read and understood:
- Ensure that the insulation on all cables and on the appliance is safe before connecting it to the power supply.
- Regularly check all connections to ensure that they are secure.
- Important: Ensure that the voltage rating on the appliance suits the power supply to be used and that the plug is fitted with the correct fuse.
- DO NOT pull or carry the appliance by the power cable.
- DO NOT pull the plug from the socket by the cable.
- DO NOT use worn or damaged cables, plugs or connectors. Ensure that any faulty item is repaired or is replaced immediately by a qualified electrician.
- If the cable or plug is damaged during use, switch off the electricity supply and remove from use.
- Ensure that repairs are carried out by a qualified electrician.
- During the operation of the clothes dryer DO NOT put flammable and volatile substances (such as gasoline, alcohol) near the clothes dryer to avoid fire.
- DO NOT install the clothes dryer in wet places such as bathrooms or where it is likely to be wet by rain, so as to avoid electric shock, leakage and other accidents.
- When the clothes dryer is in normal use, the power cord plug should be easy to plug and unplug. When there is a power outage, movement, disuse or cleaning, unplug the power cord plug. DO NOT plug or pull the plug with wet hands.
- It is strictly forbidden to put the clothes dryer on the packaging during operation.
- When the inside of the drum or the outside of the dryer is dirty, wipe it with a soft wet towel, do not rinse directly with water, and do not wipe with volatile substances (such as alcohol, gasoline, etc.).
- If chemicals are used to clean clothes, drum dryers cannot be used.
- Cotton shavings/material are not allowed to accumulate around the drum dryer.
- Exhaust is not allowed in the flue of appliances for burning gas or other materials.
-
- This appliance is not intended for use by persons (including children) with reduced physical, sensory or mental capabilities, or lack of experience and knowledge, unless they have been given supervision or instruction concerning use of the appliance by a person responsible for their safety. Children should be supervised to ensure that they do not play with the appliance.
- This appliance can be used by children aged from 8 years and above and persons with reduced physical, sensory or mental capabilities or lack of experience and knowledge if they have been given supervision or instruction concerning use of the appliance in a safe way and understand the hazards involved.
- Children shall not play with the appliance.
- Cleaning and user maintenance shall not be made by children without supervision.
- Children of less than 3 years should be kept away unless continuously supervised.
- If the supply cord is damaged, it must be replaced by the manufacturer, its service agent or similarly qualified persons in order to avoid a hazard.
- The maximum mass of dry textile material in kilograms to be used in the appliance is 2.5kg.
- The tumble dryer is not to be used if industrial chemicals have been used for cleaning.
- The lint trap has to be cleaned frequently.
- Lint must not to be allowed to accumulate around the tumble dryer.
- Adequate ventilation has to be provided to avoid the back flow of gases into the room from appliances burning other fuels, including open fires.
- DO NOT dry unwashed items in the tumble dryer.
- Items that have been soiled with substances such as cooking oil, acetone, alcohol, petrol, kerosene, spot removers, turpentine, waxes and wax removers should be washed in hot water with an extra amount of detergent before being dried in the tumble dryer.
- Items such as foam rubber (latex foam), shower caps, waterproof textiles, rubber backed articles and clothes or pillows fitted with foam rubber pads should not be dried in the tumble dryer.
- Fabric softeners, or similar products, should be used as specified by the fabric softener instructions.
- **WARNING!** Never stop a tumble dryer before the end of the drying cycle unless all items are quickly removed and spread out so that the heat is dissipated.
- **WARNING!** The appliance must not be supplied through an external switching device, such as a timer, or connected to a circuit that is regularly switched on and off by a utility.
- That exhaust air must not be discharged into a flue which is used for exhausting fumes from appliances burning gas or other fuels.
- The appliance must not be installed behind a lockable door, a sliding door or a door with a hinge on the opposite side to that of the tumble dryer, in such a way that a full opening of the tumble dryer door is restricted.

REQUIREMENTS FOR USE

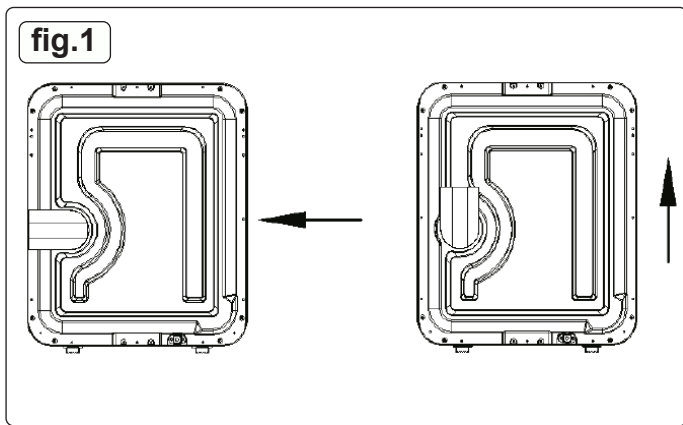
- Clothes wrung by hand should be avoided due to the existence of large amounts of water, the possibility of leakage and increase of drying time.
- Before drying, please check your clothes carefully remove: lighters, matches, sharp metal objects such as coins, hairpins and paper clip and keys.
- Zippers, and buttons should be fastened and clothes should be turned over inside out to dry. (This reduces the sound of colliding with the drum).

- If the clothing maintenance label states “dry cleaning” or “clothes cannot be washed with water” they cannot be dried by a clothes dryer.
- Woolen fabrics, wool clothes, leather materials should not be used in the clothes dryer because leather will be damaged, wool clothing will shrink and deform.
- After use, the thread shavings, on the air inlet filter screen and the air outlet filter cotton, must be cleaned.
- It is best to dry clothes of the same or similar texture at one time.
- DO NOT dry clothes that have the following requirements on their care label:
 - do not dry in a tumble dryer
 - drip dry only
 - dry in the shade

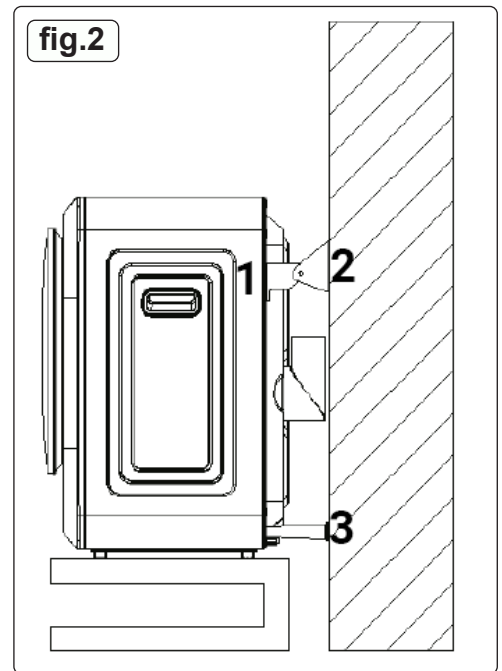


- The clothes dryer should be placed on a horizontal and solid floor, desktop or special bracket.
- The dryer should be installed 10-15cm away from the back wall.
- If used in a narrow space, a ventilator can be installed or an exhaust pipe can be installed at the air outlet to vent hot and humid air outside.
- The length of the exhaust pipe should not exceed 2 meters.

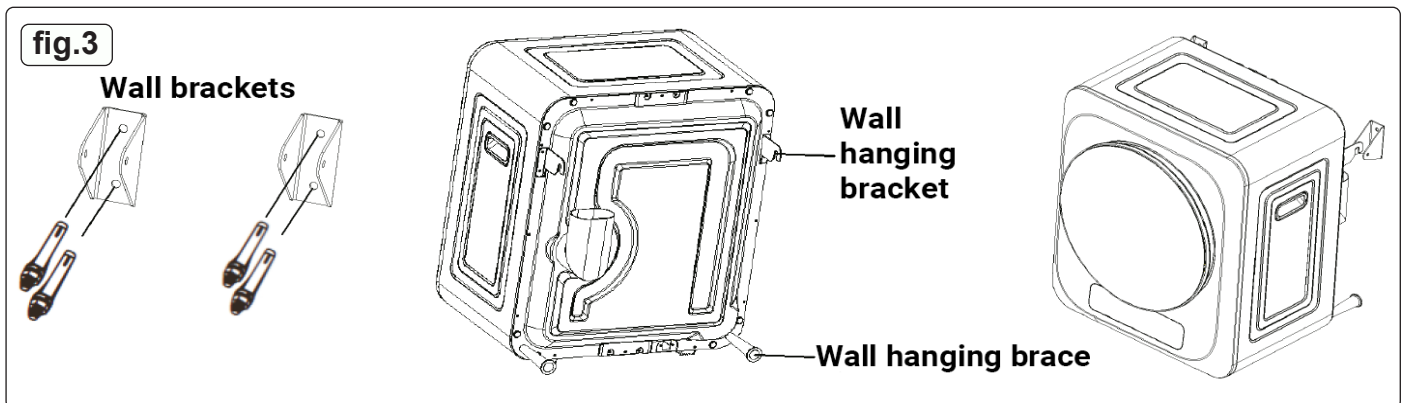
- 1. INSTALLATION OF THE EXHAUST PIPE JOINT fig.1
- Adjust angle of the exhaust to desired position.



- 2. DRYER MUST BE INSTALLED ON HORIZONTAL SURFACE
- Clothes dryer is not allowed to stand upside down. When the clothes dryer is placed on the horizontal ground or a countertop desktop, make sure that the floor and desktop are firm and not tilted, so that the clothes dryer is upright.

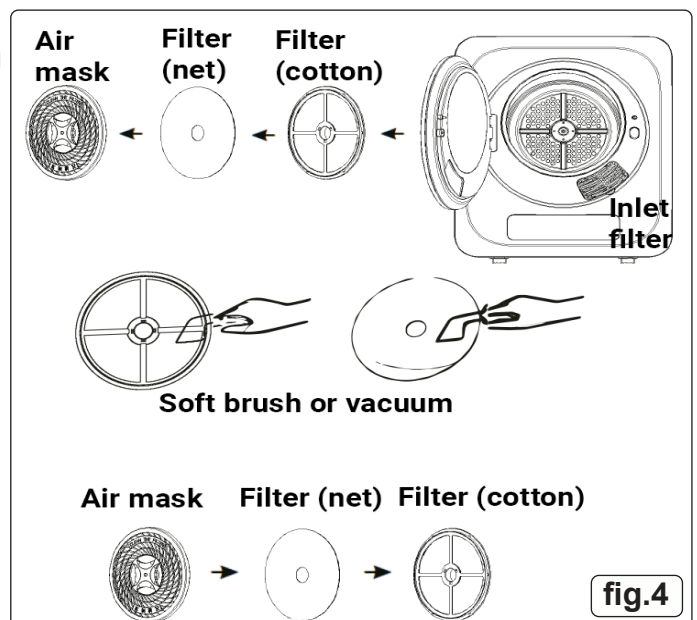


- 3. WALL MOUNTED INSTALLATION refer to fig's 2 & 3
- 3.1 Installation of clothes dryer bracket
- When the clothes dryer is installed on the bracket is necessary to ensure that the wall bracket is firmly fixed to a surface capable of withstanding the weight of the dryer and its load.
- There should be at least a 13 cm distance between the bracket and the wall.
- 3.2 Wall installation of the dryer
- Determine the wall position of the dryer and note that the distance between the top of the dryer and the ceiling is recommended to be greater than 100 mm.
- a. Fasten the wall bracket fig. 2.2 to the wall with expansion screws (M6).
- b. Fix the wall hanging bracket fig.2.1 to the rear of the dryer with four 4 x 10 large flat head tapping screws (provided).
- c. Screw the wall hanging braces fig.2.3 to the bottom of the rear of the body of the dryer.
- d. Hang the clothes dryer safely on the brackets.



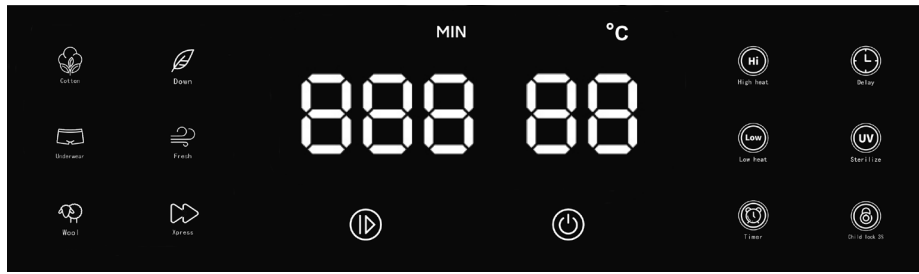
DAILY MAINTENANCE fig.4

- WARNING! Remove from mains supply before performing maintenance.
- To ensure safe operation of the dryer air outlet and air inlet filters should be cleaned regularly.
- 1. OUTLET FILTER CLEANING
- Outlet filter needs to be cleaned after each use.
- a. Remove the filter from inside the drum:
- Insert your hand into the drum and gently pull the filter out using the four cutouts in the air mask.
- b. Carefully ease the filters apart noting their orientation.
- Use a soft brush or vacuum cleaner to clean each of them.
- Take care to not damage the filters.
- c. Install the filters in the correct order and orientation: cotton first, then net, finally the air mask and refit them into the drum.
- Check that the filters are securely fixed.
- 2. INLET FILTER CLEANING
- NOTE: Clean filters once a month.
- a. Release the inlet filter door by tilting it upwards and remove it.
- b. Use a soft brush or vacuum to remove the dust attached to it.
- c. Replace after cleaning.
- 3. DRYER CLEANLINESS
- Wipe the dirt inside the drum or on the outside of the dryer with a damp cloth.



- If the dirt is difficult to remove, wipe it with a small amount of mild soap and then wipe it with a clean cloth.
- DO NOT use solvents or any abrasive cleaners.

CONTROLS



Label	Function
	Power On/ Off.
	Start /Pause.
Cotton 	Select heat (Hi,Low),Set timer. Default temp.set to 60° C.
Down 	Select heat (Hi,Low),Set timer. Default temp.set to 60° C.
Underwear 	Select heat (Hi,Low),Set timer. Default temp.set to 60° C.
Fresh 	To remove smells, default heat low. Set timer to required value - either 30, 35 or 40 minutes (incremented per press).
Wool 	Default heat low. set timer to required value.
Xpress 	Default heat high, set timer to required value in 10 minute increments per press up to 40 minutes.
High Heat 	Set to high heat if option flashing.
Low Heat 	Set to low heat if option flashing.
Delay 	Set start time delay. Initially sets to 30 minutes then increments by one hour per press up to maximum of 8 hours.
UV 	Select UV, hold for three seconds to set timer for 30 minutes, press again to raise in 10 minute increments. UV mode can work alongside 6 drying modes. Select the desired drying mode first and then press UV.
Child Lock 	Hold for three seconds and lock comes on. Hold for 3 seconds and lock cancels.
Timer 	Press to increase function in 30 minutes steps up to 240 minutes.

TROUBLESHOOTING

Problem	Cause	Solution
Dryer will not start	No power Dryer overloaded with clothes Temperature controller faulty	Check mains supply Clothes must not be soaking wet when loaded If there are too many clothes, dry in batches. Contact Dellonda or repair professional.
Dryer is hot on the outside or there is a hot smell.	Filter screen of the air intake filter is blocked with material. The air outlet or the exhaust duct is blocked.	Clean the 'thread shavings' on the filter net before and after each use. Clear the blockage.
Clothes are not dry.	Dryer is too full of clothes. Filter is clogged, affecting airflow in and out. Too many clothes in the dryer and they are twisted. The dryer is installed in a narrow 'airtight' position.	Reduce batch size, dry the clothes again. Clean the inlet and outlet filter regularly. Shake the clothes loose and redry. Reposition the dryer in a more suitable location.
Too many wrinkles in the clothes	Dryer too full of clothes. Clothes were not removed at the end of the cycle in time. Clothes are not sorted properly. Temperature is set too high.	Don't overload dryer, reduce batch size. Clothes should be taken out immediately at end of cycle. Dry clothes after sorting. Follow the instructions on the clothing's label.
Clothing shrinkage.	Excessive dryness.	Follow instructions on label on clothing. If clothing shrinks easily, it should be checked frequently when drying. Take out the clothes while they are still slightly damp to avoid being too dry, and then hang them up or lay them flat to make them completely dry.
Hair balls on the clothes.	It is normal for synthetic fibres and non-ironing fibres to produce 'hair' masses. This is caused by friction.	Soften clothes with a fabric softener. Turn inside out to reduce friction.



Environment Protection, Waste Electrical and Waste Electronic Equipment Regulations (WEEE)



Recycle unwanted packaging materials. When this product is no longer required, or has reached the end of its useful life, please dispose of in an environmentally friendly way. Drain any fluids (if applicable) into approved containers, in accordance with local waste regulations.



Please note that this product contains one or more batteries. It is our policy to continually improve products and we reserve the right to alter data, specifications and parts without prior notice. No liability is accepted for incorrect use of this product. Guarantee is 12 months from purchase date, proof of which is required for any claim.



Dellonda Limited, Sole UK Distributor of Baridi

Kempson Way, Suffolk Business Park, Bury St Edmunds, Suffolk. IP32 7AR



01284 757575



support@dellonda.co.uk



www.dellonda.co.uk

Product Information Sheet. Tumble Drier.

SUPPLIER_NAME_OR_TRADEMARK	Dellonda EU Ltd.
DELEGATED_ACT	932/2012/EU
MODEL_IDENTIFIER	DH229
Small Tumble Dryer, Portable, 2.5kg, Vented, Perfect for Counter Top or Wall Mounted Use with Digital Controls, Compact, Black Mini Spin Dryer	
ADDRESS	Farney Street, Carrickmacross, Co. Monaghan, A81 PK68 Ireland
PHONE_NUMBER	01284 757 500
EMAIL_ADDRESS	TechnicalCompliance@dellonda.co.uk

Parameter	Verification tolerances
-----------	-------------------------

Rated Capacity (Kg).	2.5
Energy efficiency class.	C
Weighted Annual Energy Consumption.	207.0
Automatic tumble dryer.	No
Built in tumble drier.	No
Energy Consumption . Standard cotton programme at full load.	1.68
Energy Consumption . Standard cotton programme at partial load.	0.97
Power Consumption of the off-mode.	0.00
Power Consumption of the left-on mode.	0.48
Duration of the left-on mode (minutes).	NA
Weighted programme time of the 'standard cotton programme at full and partial load'.	94
Programme time of the 'standard cotton programme at full load'. Minutes.	130
Programme time of the 'standard cotton programme at partial load'. Minutes.	74
Condensation Class.	NA
Average condensation efficiency full load.	NA
Average condensation efficiency partial full load.	NA
Sound power level.	60
Suppliers website	https://www.dellonda.co.uk/

