



---

**Dellonda 1500W Electric 2-in-1 Scarifier with 5-Heights, 36cm Cutting Diameter, 45L Grass Collection Bag, 10m Mains Cable, Hand Push**






**Model No. DG216**

Thank you for purchasing a Dellonda product. Manufactured to a high standard, this product will, if used according to these instructions, and properly maintained, give you years of trouble free performance.

## Important Information

Please read these instructions carefully. Note the safe operational requirements, warnings & cautions. Use the product correctly and with care for the purpose for which it is intended. Failure to do so may cause damage and/or personal injury and will invalidate the warranty. Keep these instructions safe for future use.

Warning! Live electrical parts	Warning! Ejected objects	Warning! Keep hands and feet away from the blades	Warning! Electricity	Wear ear protection	Warning! Rotating equipment
					
					
Read instructions before use	Warning! Keep bystanders away	Remove power supply before cleaning/ maintenance	Warning! Avoid cutting power cable	Warning! Keep unit dry	Warning! Blades continue to move



Wear protective  
footwear



Wear protective  
gloves when  
changing tools.

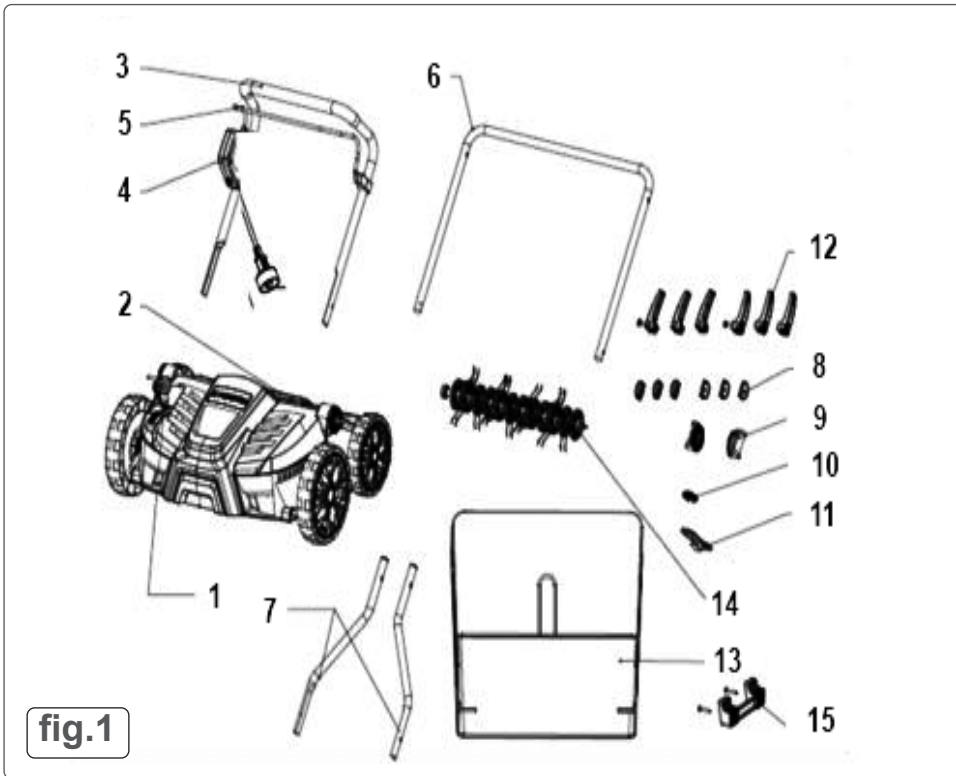
## Safety Instructions

- ✓ Read and fully understand instruction manual before using the machine. Retain manual for future use and future users.
  - ✓ Users must be fully trained before using this unit.
  - ❑ **WARNING!** Keep hands and feet away from moving blades. Be aware of the danger of being drawn in by moving parts.
  - ❑ **WARNING!** Be aware of live electrical parts.
  - ❑ **WARNING!** Before carrying out any maintenance or adjustments remove the power source and ensure all moving parts have come to a complete standstill and cannot start again unexpectedly.
  - ✓ Suitable/protective clothing (long trousers) and appropriate PPE must be worn: ear protection, safety, slip resistant footwear.
  - ✗ **DO NOT** use whilst tired, ill or under the influence of alcohol or other drug.
  - ✓ **ALWAYS** inspect and risk assess the area to be worked prior to working. Review for items such as foreign objects (stones, toys, wires sticks, bones), slope, ditches, drop-offs.
  - ✗ **DO NOT** use the unit on slopes. Be aware of the risk of overturning or slipping on too steep a slope. Always 'travel' along slope contours not up and down slopes.
  - ✓ **ALWAYS** inspect the unit prior to use for loose fittings, fatigue and damage.
  - ✓ **ALWAYS** keep bystanders and pets at a safe distance from the mower when in use.
  - ✓ Only use the unit when there is good visibility (daylight or good artificial light.)
  - ✗ **DO NOT** use the unit without either the grass bag or deflector fitted.
  - ✗ **DO NOT** use the unit if there is a risk of lightning.
  - ✗ **DO NOT** use in the rain.
  - ✗ **DO NOT** leave the unit running without supervision.
  - ✓ Allow the unit to cool down completely before moving or storing.
  - ✓ Use genuine replacement parts only.
  - ✓ Keep the unit in good operating condition and perform regular maintenance. Keep unit clean.
  - ✓ Check for and replace worn or damaged parts.
  - ✗ **DO NOT** modify the unit in any way. **DO NOT** tamper with or modify safety features in any way.
- NOTE:** This appliance can be used by children aged from 8 years and above and persons with reduced physical, sensory or mental capabilities or lack of experience and knowledge if they have been given supervision or instruction concerning use of the appliance in a safe way and understand the hazards involved. Children shall not play with the appliance. Cleaning and user maintenance shall not be made by children without supervision.

## About the Product

Rejuvenate your lawn/garden with the Dellonda 2 in 1 Electric Scarifier. Powerful 1500W motor together with a cutting width of 36cm gets the job done quickly and efficiently. 5 depth settings ranging from -12 to 10mm give you complete control over the finish of your lawn/garden. Features spacious 45L grass collection bag. Weighing in at just 12kg makes this scarifier easy and comfortable to use around the garden.

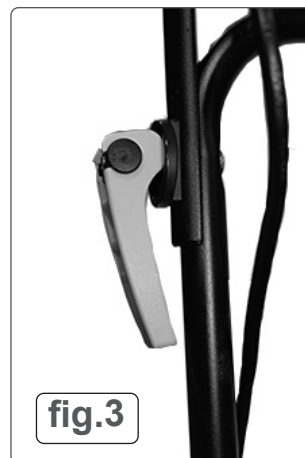
## Contents



Item	Description
1	Height Adjuster
2	Rear Flap
3	Upper Handle
4	Switch box
5	Switch Bar
6	Lower Handle
7	Middle Handle
8	Handle Locator
9	Angle Adjustment Block
10	Cable Clamp
11	Cable Holder
12	Quick Clamps
13	Grass Bag
14	Scarifier or Aerator Tool
15	Wall Hanging Hook

## Assembly

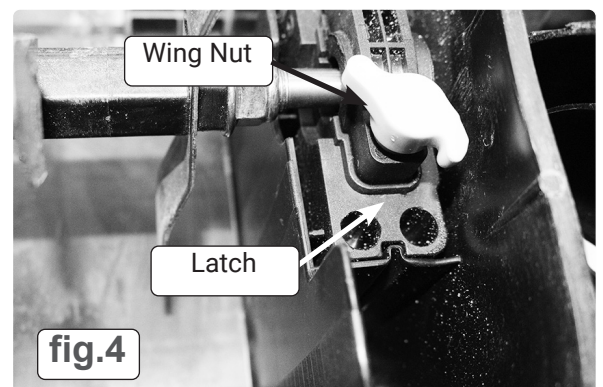
- Insert lower handle (fig.1.6) into the angle adjusting block (fig.1.9).
- Slide the tube and block over the stud fitted in unit's body, fit the locking tab (fig.1.8) and screw the quick clamp (fig.1.12) onto the thread.
- Adjust the engagement of the clamp lever such that the clamp lever can be closed thus firmly locking the adjusting block to the body.



- Typical quick clamp arrangement shown in fig.3.
- Pass Coach bolt through the tubular frame from the inside edge of handle, slide the handle locator (fig.1.8) onto the thread and thread the quick clamp onto the exposed bolt thread.
- Engage the clamp sufficiently onto the thread of the bolt and adjust position such that the clamp lever can be closed thus firmly joining the handle frames together.
- Once the frame is complete, clip the control cable at suitable locations on the handle frame using the clips supplied.

## Changing the tool bar

- ❑ **WARNING!** Disconnect from the power supply before attempting any maintenance or work on the unit.
- ❑ **WARNING!** Both tools (scarifier and rotavator) have sharp edges. Wear suitable gloves to protect yourself.
- Place the unit upside down on a stable, clean surface.
- Full unscrew the wing nut and push up the latch (fig.4).
- Partially lift the tool bar out of the unit and slide it out to the side.
- Replacing a tool bar is the reverse process.



## Adjusting the handle angle

- While supporting the handle frame, release the clamp levers (fig.2) and rotate the handle to the desired angle.
- Retighten the clamp levers and check that the handle is firmly held in position.

## Operation

- **DO NOT** attempt to set the depth while the blades are spinning.
- To set the depth of cut push the spring loaded selector lever (fig.6) out of the current slot and slide it to the required depth setting as indicated on the unit's label.
- To start the unit, depress the start button on the control unit (fig.5) and pull the start bar towards the handle (fig.5).
- Releasing the start button the will cause the unit to stop working.
- **NOTE:** The blades may still spin and eventually stop after the start button is released.



## Maintenance

- ❑ **WARNING! DO NOT** attempt any cleaning or maintenance without having disconnected the power supply.
- After each use and before stowage, wipe off and dry all outer surfaces.
- When removing the blade, wear safety gloves to avoid personal harm.
- **NOTE:** Hanger and screws provided for wall mounting storage if required.

## Specification

Attribute	Value
Cable Length	10m
Cutting Width	36cm
Noise Power/Pressure	102/90dB(A)
Power	1500W
Speed	3600rpm
Supply	230V
Type	Hand Push
Vibration/Uncertainty	3.5/1.8m/s <sup>2</sup>

### **Environment Protection and Waste Protection and Electrical Equipment Regulations (WEEE)**

Recycle unwanted packaging materials. When this product is no longer required, or has reached the end of its useful life, please dispose of it in an environmentally friendly way. Drain any fluids (if applicable) into approved containers, in accordance with local waste regulations. It is our policy to continually improve products and we reserve the right to alter data, specifications and parts without prior notice. No liability is accepted for incorrect use of this product. Guarantee is 12 months from purchase date, proof of which is required for any claim.

## **Dellonda Limited**

Kempson Way, Suffolk Business Park, Bury St Edmunds, Suffolk. IP32 7AR



01284 757575



support@dellonda.co.uk



www.dellonda.co.uk