



**Dellonda Deluxe Firepit, Fireplace, Outdoor
Patio Heater, Cooking Grill & Poker**



Model No. DG117

Thank you for purchasing a Dellonda product. Manufactured to a high standard, this product will, if used according to these instructions, and properly maintained, give you years of trouble free performance.

Important Information

Please read these instructions carefully. Note the safe operational requirements, warnings & cautions. Use the product correctly and with care for the purpose for which it is intended. Failure to do so may cause damage and/or personal injury and will invalidate the warranty. Keep these instructions safe for future use.

About the Product

Contemporary style circular fire pit is perfect for relaxing outdoors with family and friends. Features galvanized grill giving the option of an al fresco dining experience. Includes mesh safety screen to prevent embers and sparks flying. Suitable for use with untreated wood and logs. Supplied with fire poker. Optional cover available, Model No. DG123.



Refer to
instruction
manual



Wear
Gloves



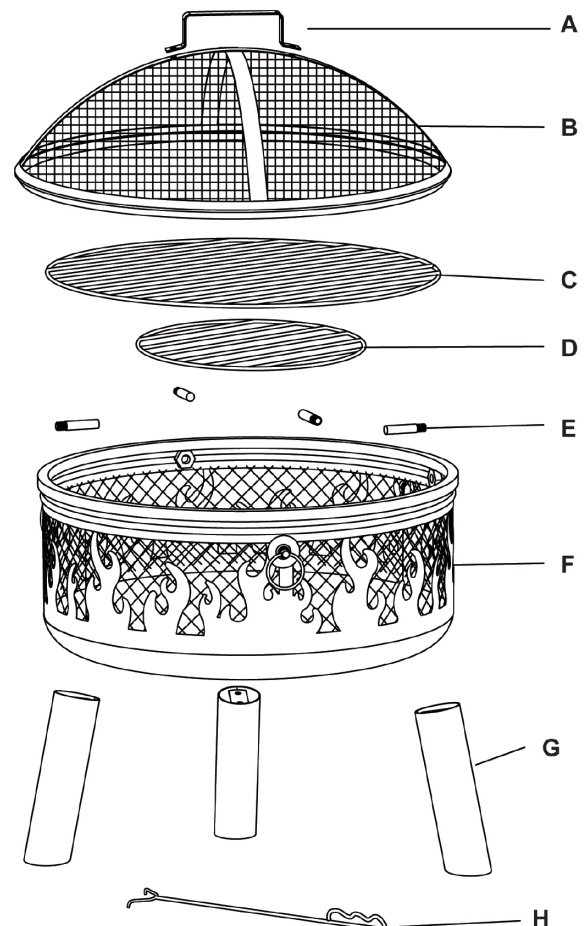
Warning:
Hot
Surface

Safety Instructions

- **WARNING! The warnings, cautions and instructions in this manual cannot cover all possible conditions and situations that may occur. It must be understood by the operator that common sense and caution are factors which cannot be built into this product, but must be applied by the operator.**
- **WARNING! For outdoor use only, never burn in vehicles, tents or indoors.**
- Risk assess the area where the fire pit is to be used.
- **DO NOT** use the fire bowl to cook food, only use the grill for cooking and grilling food.
- This fire bowl is intended to burn wood logs only. **DO NOT** use on wooden decks. **DO NOT** burn coal, leaves, or other combustible materials in the fire bowl.
- Add fuel gradually, a bit at a time.
- A gusty day can make a fire burn more fiercely, causing it to flare up unexpectedly.
- **DO NOT** use flammable liquids to start fires.
- Ensure there is a garden hose nearby, in case of emergency.
- Consider neighbours, ensure the smoke generated will not affect them.
- Keep away from combustible materials. Site at least 2 metres away from fences, shrubs, trees, garden structures and buildings.
- Not for use by children. Keep children and pets away from the fire bowl.
- The fire bowl is hot. Use with caution.
- **DO NOT** touch the hot fire bowl with bare hands.
- Never leave the burning fire bowl unattended, and always extinguish the fire completely.
- Ensure that the fire is fully extinguished, with no hot embers, before it is left.
- **DO NOT** use fire bowl near flammable or combustible objects or materials.
- When the fire bowl is in use, the handle on the mesh screen can reach extreme temperatures that can cause serious injury to an unprotected hand. Use a poker or an appropriate heat resistant glove or pad when handling.
- The poker handle may become hot during and after use.
- Check local fire regulations and municipal by-laws for safe use.
- Check tightness of fixings periodically.
- Only use on level ground.
- **DO NOT** move whilst lit.
- **WARNING** Although we take every effort to ensure that the assembly process is as easy as possible, it is inherent with fabricated steel parts that corners and edges can cause cuts if improperly handled during assembly procedures. Be careful whilst handling parts during assembly. It is strongly recommended that hands are protected with a pair of work gloves.
- Keep children and pets away from the area.

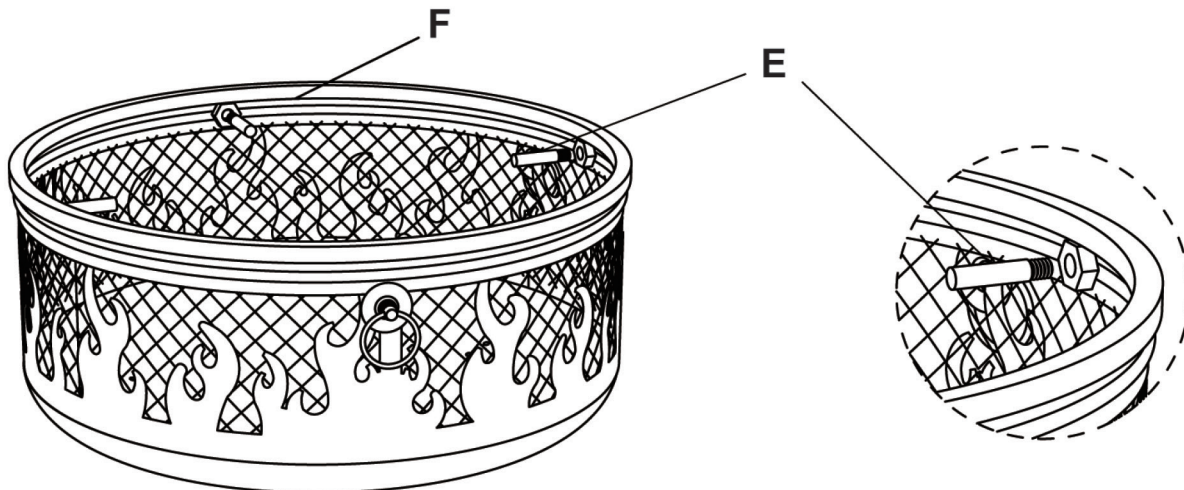
Contents

No.	Description.	Qty.
A	Handle	1
B	Mesh screen	1
C	Grill	1
D	Wood grate	1
E	Grill supports	4
F	Fire bowl	1
G	Leg	3
H	Poker	1
AA	M6 x 10mm bolt	8
BB	M6 nut	2

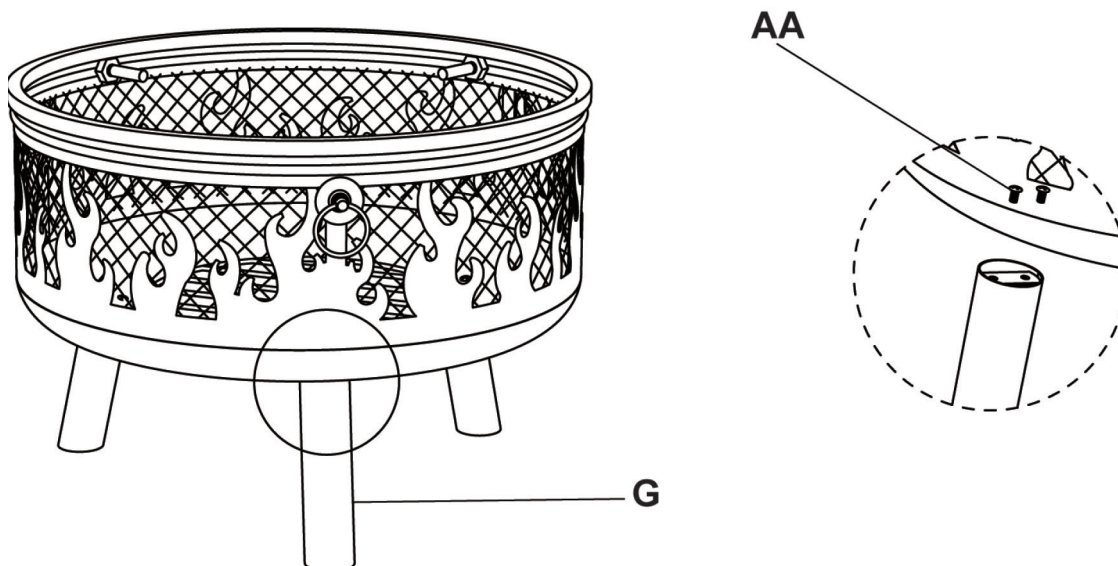


Assembly

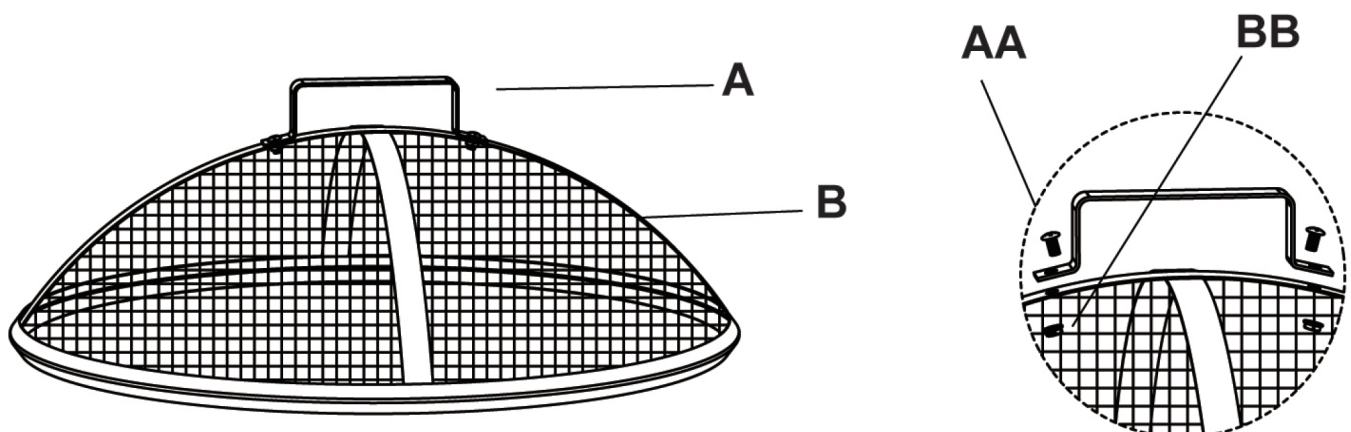
- Before assembly ensure there is enough space to work on the fire pit, lay a sheet of card down to assemble the unit onto to avoid damage.
- **Step 1:** Screw the grill supports (E) into the welded nuts on the inside of the fire bowl (F).



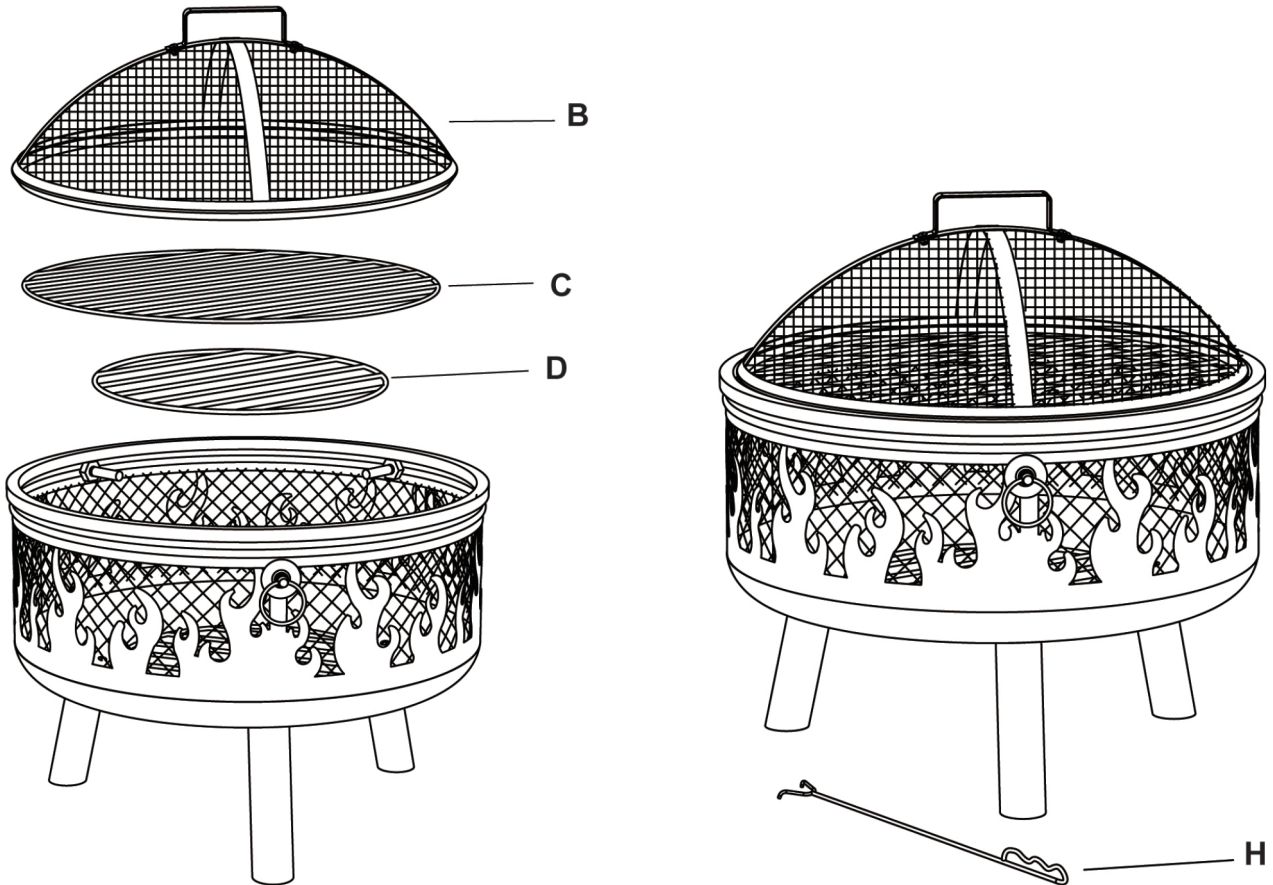
- **Step 2:** Attach the leg (G) to the bottom of the fire bowl (F) with two M6 x 10mm bolts (AA). Repeat with the other two legs.



- **Step 3:** Attach the handle (A) to the mesh cover (B) with two M6 x 10mm bolts (AA) and M6 nuts (BB).



- **Step 4:** Put the wood grate (D) into the base of the fire bowl (F). Place the grill (C) onto the assembled grill supports (E), Place the mesh cover (B) on the fire bowl (F) to complete the fire pit assembly.
- Keep the poker (H) with the fire pit.



Maintenance

- Clean with a non abrasive, non solvent based, mild detergent.

Storage

- Store in a dry place.

Environment Protection and Waste Protection and Electrical Equipment Regulations (WEEE)

Recycle unwanted packaging materials. When this product is no longer required, or has reached the end of its useful life, please dispose of it in an environmentally friendly way. Drain any fluids (if applicable) into approved containers, in accordance with local waste regulations. It is our policy to continually improve products and we reserve the right to alter data, specifications and parts without prior notice. No liability is accepted for incorrect use of this product. Guarantee is 12 months from purchase date, proof of which is required for any claim.

Dellonda Limited

Kempson Way, Suffolk Business Park, Bury St Edmunds, Suffolk. IP32 7AR



01284 757575



support@dellonda.co.uk



www.dellonda.co.uk