



**Dellonda 1500W Electric Tiller/
Cultivator 40cm Working Width 6
Blades 10m Cable**



Model No. DG217

Thank you for purchasing a Dellonda product. Manufactured to a high standard, this product will, if used according to these instructions, and properly maintained, give you years of trouble free performance.

Important Information

Please read these instructions carefully. Note the safe operational requirements, warnings & cautions. Use the product correctly and with care for the purpose for which it is intended. Failure to do so may cause damage and/or personal injury and will invalidate the warranty. Keep these instructions safe for future use.



Refer to instruction manual



Wear eye protection



Wear ear protection



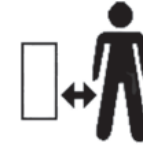
Wear protective gloves



Wear safety footwear



Warning




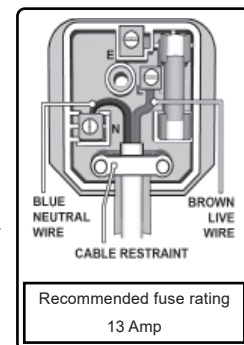
Keep people and animals at a safe distance



Risk of injury from ejected parts

Electrical Safety

- **WARNING!** It is the user's responsibility to check the following:
- Check all electrical equipment and appliances to ensure that they are safe before using. Inspect power supply leads, plugs and all electrical connections for wear and damage. Sealey recommend that an **RCD** (Residual Current Device) is used with all electrical products. You may obtain an **RCD** by contacting your local Sealey Stockist.
- If the product is used in the course of business duties, it must be maintained in a safe condition and routinely **PAT** (Portable Appliance Test) tested.
- Electrical safety information, it is important that the following information is read and understood.
- Ensure that the insulation on all cables and on the appliance is safe before connecting it to the power supply.
- Regularly inspect power supply cables and plugs for wear or damage and check all connections to ensure that they are secure.
- **Important:** Ensure that the voltage rating on the appliance suits the power supply to be used and that the plug is fitted with the correct fuse - see fuse rating in these instructions.
- **DO NOT** pull or carry the appliance by the power cable.
- **DO NOT** pull the plug from the socket by the cable. Remove the plug from the socket by maintaining a firm grip on the plug.
- **DO NOT** use worn or damaged cables, plugs or connectors. Ensure that any faulty item is repaired or replaced immediately by a qualified electrician.
- This product is fitted with a **BS1363/A** 13 Amp 3 pin plug.
- If the cable or plug is damaged during use, switch the electricity supply and remove from use.
- Replace a damaged plug with a **BS1363/A** 13 Amp 3 pin plug. If in doubt contact a qualified electrician.
- Class **II** products are wired with live (brown) and neutral (blue) only, and are marked with the  Class **II** symbol;
- A) Connect the **BROWN** live wire to the live terminal 'L'.
- B) Connect the **BLUE** neutral wire to the neutral terminal 'N'.
- C) After wiring, check that there are no bare wires and ensure that all wires have been correctly connected.
- Ensure that the cable outer sheath extends inside the cable restraint and that the restraint is tight.
- **DO NOT** connect either wire to the earth terminal.
- Sealey recommend that repairs are carried out by a qualified electrician.



General Safety

- **WARNING!** This product is not intended for use by persons, including children, with reduced sensory or mental capacity or lack of experience or knowledge, unless they are under the supervision of the person responsible for their safety or has instructed them on how to use this product, also the product is not intended for use by children and persons with reduced mobility or with a poor physical disposition.
- Familiarise yourself with the applications, limitations and hazards of the product.
- Maintain the cultivator in good condition (use an authorised service agent).
- Replace or repair damaged parts. Use recommended parts only. Unauthorised parts may be dangerous and will invalidate the warranty.
- Keep the cultivator in good working order, regularly maintained and clean for best results.
- **DO NOT** remove the plug from the power socket by pulling on the cable. Keep the supply cable away from sharp edges.
- If using an extension cable ensure that is clearly marked for outdoor use.
- **WARNING!** Keep hands, feet or any body part or clothing away from the rotating tines.
- Wear suitable/protective clothing, (long trousers), and appropriate personal protection equipment.
- **DO NOT** operate the cultivator barefoot or with open toed shoes. Always wear sturdy non-slip boots.
- **DO NOT** operate the cultivator when you are tired or under the influence of alcohol, drugs or intoxicating medication.
- Keep bystanders and pets at a safe distance from the cultivator when in use.
- Only use the product for its designed purpose.
- The cultivator must only be operated by one person.
- **DO NOT** operate the product with one hand. Grip the handles firmly with both hands.
- Work only in daylight or good artificial light.
- **DO NOT** use in the rain or if there is a risk of lightning.
- **DO NOT** operate the cultivator on a slope that is too steep for safe operation.
- **DO NOT** operate up or down slopes. Work across slopes, slow down and ensure you have good footing. Take extreme care when changing direction on slopes.
- Operate the cultivator at walking pace only. **DO NOT** over reach. Maintain proper footing and balance at all times.
- **WARNING!** Take extra care when reversing or pulling the cultivator towards you.
- **WARNING!** Be aware of your surroundings. **DO NOT** operate the cultivator near underground utilities and use caution when tilling near fences and buildings.
- **DO NOT** pick up or carry the cultivator while the motor is running.
- **DO NOT** operate the cultivator with a damaged or missing guard.
- **DO NOT** leave the cultivator running unattended and always turn off after use.
- Before carrying out any maintenance or adjustments, switch off the product, disconnect from the power source and wait until the tines have stopped rotating.

- **WARNING!** Be aware of the power cable during tilling. Take care not to trip over the cable and guide the cable away from the rotating tines.
- If the tines strike a foreign body, switch off and remove the plug from the power source. Examine the product for signs of damage and carry out any necessary repairs.
- If abnormal vibrations occur or there are unusual sounds emitted during tilling, switch off, remove the plug from the power source then check for the cause immediately. Vibrations generally indicate a malfunction. Have the product repaired at an authorised service centre.
- **WARNING!** The warnings, cautions and instructions in this manual cannot cover all possible conditions and situations that may occur. It must be understood by the operator that common sense and caution are factors which cannot be built into this product, but must be applied by the operator.

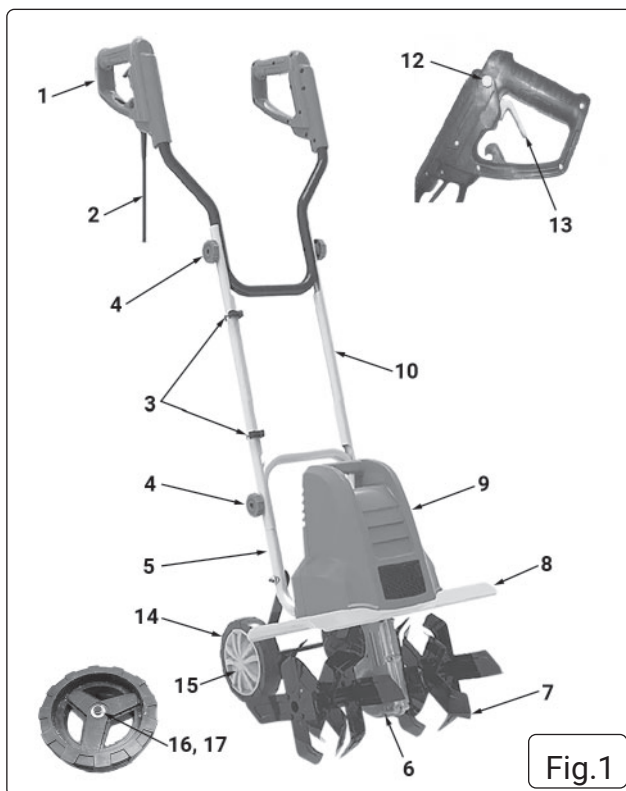
About the Product

Powerful 1500W motor makes light work of almost any soil and digging of various surfaces such as vegetable/flower patches as well as your lawn. Six steel blades gives you maximum durability and efficiency. Weighing in at just 11kg makes the Dellonda electric tiller/cultivator easy and comfortable to use and manoeuvre round your garden/lawn. 10m power cable gives you freedom to cover a wider area in your garden/lawn.

• SPECIFICATION

- **Model no:**DG217
- **Cable Length:**10m
- **Cutting Width:**40cm
- **Noise:**.....93dB
- **Power:**.....1500W
- **Speed:**.....400rpm
- **Supply:**.....230V
- **Type:**.....Push

Contents



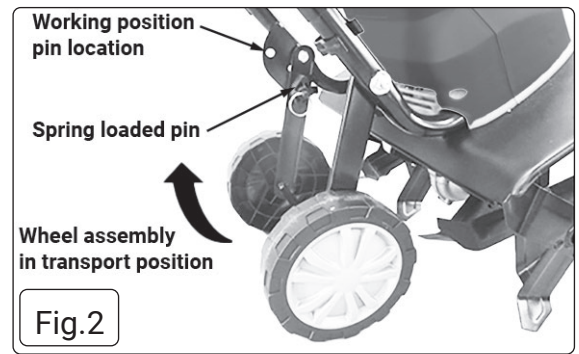
Item	Description
1	Upper handle assembly
2	Power cable
3	Cable clamp
4	Locking nut & screw
5	Lower handle assembly
6	Gearbox
7	Tines
8	Guard
9	Motor cover
10	Mid handle section
11	Not used
12	Safety button
13	Switch trigger
14	Wheel
15	Wheel trim
16	Washer
17	Split pin

Assembly

- Unpack the product and check contents. Should there be any damaged or missing parts contact your supplier immediately.
- **ATTACH THE WHEELS**
- Slide wheel (fig 1-14) and washer (fig 1-16) onto the shaft and secure in place by inserting the split pin (fig 1-17) into the hole at the end of the shaft and using pliers (not supplied), bend the ends of the split pin away from each other.
- Push fit the clip-on wheel trim (fig 1-15) into place.
- Repeat for the other wheel.
- **HANDLE ASSEMBLY**
- Attach the mid handle section (fig 1-10) to the outside face of the lower handle section (fig 1-5) and secure with locking nut and screw (fig 1-4).
- Repeat for other mid handle section (fig 1-10).
- **DO NOT** over tighten screws.
- Locate upper handle assembly (fig 1-1) between mid handle sections (fig 1-10) and secure with locking nut and screw (fig 1-4).
- Fully tighten all screws.
- **ATTACH CABLE CLAMP**
- Place the cable from the motor into the cable clamp (fig 1-3) and clip the clamp onto the lower part of the mid handle section (fig 1-10).
- Repeat for the other cable clamp and locate the clamp towards the upper part of the mid handle section.

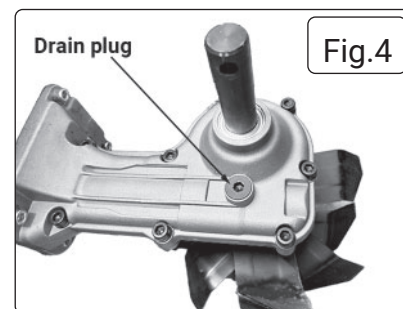
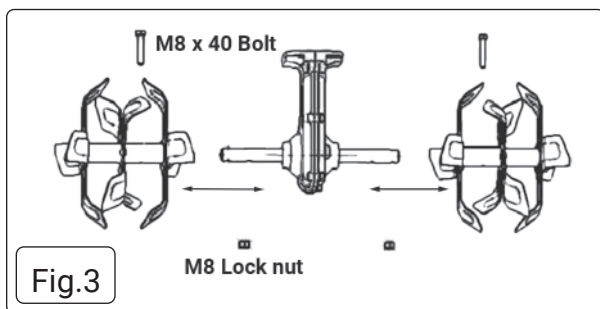
Operation

- Risk access the area to be worked. Remove all objects that may damage the tines or be ejected causing possible injury.
- It is recommended that the cultivator wheel assembly is placed in the transport position (fig 2) when not in use or when being positioned ready for use.
- Move the cultivator to the work area prior to starting the motor.
- Pull out the spring loaded pin (fig 2) and move the wheel assembly to the working position (fig 2).
- **WARNING! DO NOT** attempt to adjust the wheel assembly if the cultivator is connected to the power source
- **STARTING THE CULTIVATOR**
- Connect the cultivator power cable (fig 1-2) to a power source.
- **WARNING!** Hold the cultivator firmly while switching on.
- To start, press the safety button (fig 1-12), then pull the switch trigger (fig 1-13) back towards the handle.
- **WARNING!** The tines will start to rotate as soon as the switch trigger is pulled.
- Hold the switch trigger (fig 1-13), while releasing the safety button (fig 1-12) to keep the motor running.
- **STOPPING THE CULTIVATOR**
- To stop the cultivator release the switch trigger (fig 1-13).
- **WARNING!** The tines will continue to rotate for a period of time after the motor is switched off.
- Disconnect the cultivator power cable (fig 1-2) from the power source.
- Pull out the spring loaded pin (fig 2) and move the wheel assembly to the transport position (fig 2).



Maintenance

- **WARNING!** Disconnect from the mains power supply before undertaking any cleaning or maintenance.
- Regularly check that all fixings are firmly tightened.
- Ensure ventilation openings are clear of any obstructions and debris.
- Check the condition of the tines.
- If the tines are blunt or damaged take them to a specialist for sharpening or repair.
- **REMOVING THE TINES**
- **WARNING!** Disconnect from the mains power source and wear protective gloves.
- With the wheel assembly in the transport position (fig 2) lay the upper handle assembly (fig 1-1) down onto a flat level surface.
- With care remove the M8 x 40 bolt (fig 3) and M8 locking nut (fig 3) and place in a secure location.
- Slide the tine blade off the shaft.
- Repeat for the other tine blade.
- **REFITTING THE TINES**
- Wipe clean the drive shaft.
- Slide the tine blade onto the shaft (fig 3).
- Align the fixing hole on the tine with the corresponding hole on the shaft and secure with the M8 x 40 bolt (fig 3) and M8 locking nut (fig 3).
- Repeat for the other tine blade.
- **NOTE:** Always replace the tines in pairs and each tine can be fitted to either side of the shaft.
- **CHECKING TRANSMISSION LUBRICANT**
- On a flat level surface lay down the cultivator onto it's left side.
- Remove the tine blade (fig 4).
- Clean the area around the drain screw of any debris.
- Unscrew the drain plug (fig 4) with a hex key (not supplied) and place in a secure location.
- Check the level of the lube. It should be level with the outer rim of the drain plug opening.
- Refill as required with a lithium grease **EP0**.
- Reinstall the drain plug.
- Reattach the tine blade.



- **CLEANING**
- Where possible clean the cultivator after each use.
- To remove soil and debris from the tines and guard use a stiff brush or a dampened cloth.
- **DO NOT** allow water ingress to the motor.
- Clean other areas with a soft damp cloth.
- **DO NOT** use solvents
- **STORAGE**
- Store the cultivator in a clean, dry, dark, dust free and frost free childproof location.
- Use, if possible, original packaging.
- **DO NOT** store in direct sunlight for long periods of time.
- Cover the cultivator with a non moisture retaining cover.

Troubleshooting

Problem	Possible cause	Remedy
Motor does not start	No power	Check mains connection
	Defective power cable	Contact Dellonda service centre
	Defective safety switch/plug combination	Contact Dellonda service centre
	Overheating protection activated	Working depth too deep. Set to shorter depth
Tines blocked. Switch off. Remove any blockages		
Soil too hard. Select correct work depth. Wait 15 minutes for motor to cool down before restarting		
Abnormal noises	Tines are jammed	Switch off. Remove any objects
	Lubrication running low	See Maintenance section - Checking transmission lubricant
	Loose fixings or components	Tighten all fixings. Contact Dellonda service centre if noises persist
Abnormal vibrations	Worn or damaged tines	Contact Dellonda service centre
	Working depth too deep	Set to correct working depth
Poor results	Working depth too shallow	Set to correct working depth
	Worn tines	Contact Dellonda service centre

Note: It is our policy to continually improve products and as such we reserve the right to alter data, specifications and component parts without prior notice.

Important: No Liability is accepted for incorrect use of this product.

Warranty: Guarantee is 12 months from purchase date, proof of which is required for any claim.



Environment Protection, Waste Electrical and Waste Electronic Equipment Regulations (WEEE)



Recycle unwanted packaging materials. When this product is no longer required, or has reached the end of its useful life, please dispose of in an environmentally friendly way. Drain any fluids (if applicable) into approved containers, in accordance with local waste regulations.

It is our policy to continually improve products and we reserve the right to alter data, specifications and parts without prior notice. No liability is accepted for incorrect use of this product. Guarantee is 12 months from purchase date, proof of which is required for any claim.

Dellonda Limited

Kempson Way, Suffolk Business Park, Bury St Edmunds, Suffolk. IP32 7AR

01284 757575

support@dellonda.co.uk

www.dellonda.co.uk