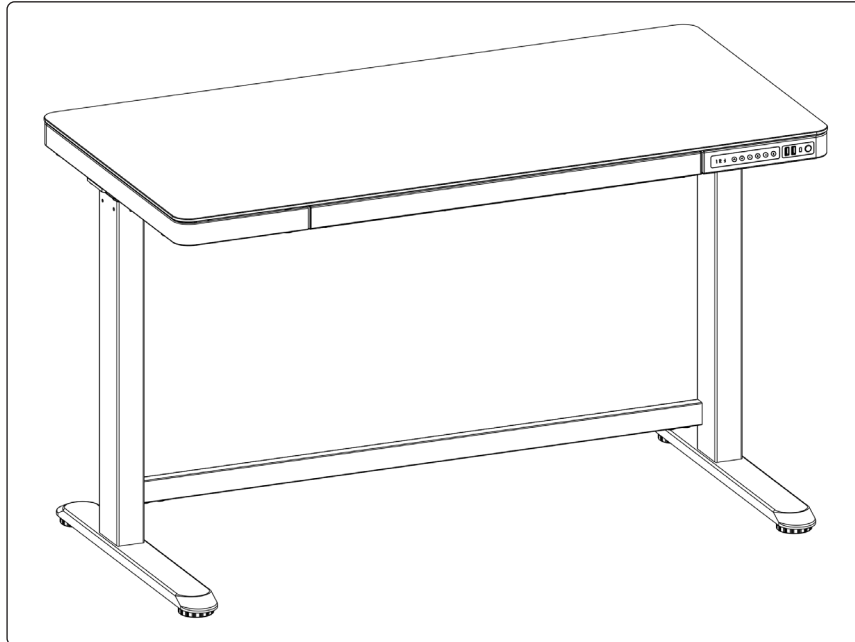




Dellonda Height-Adjustable Electric Sit & Stand Desk with Control Panel & Drawer



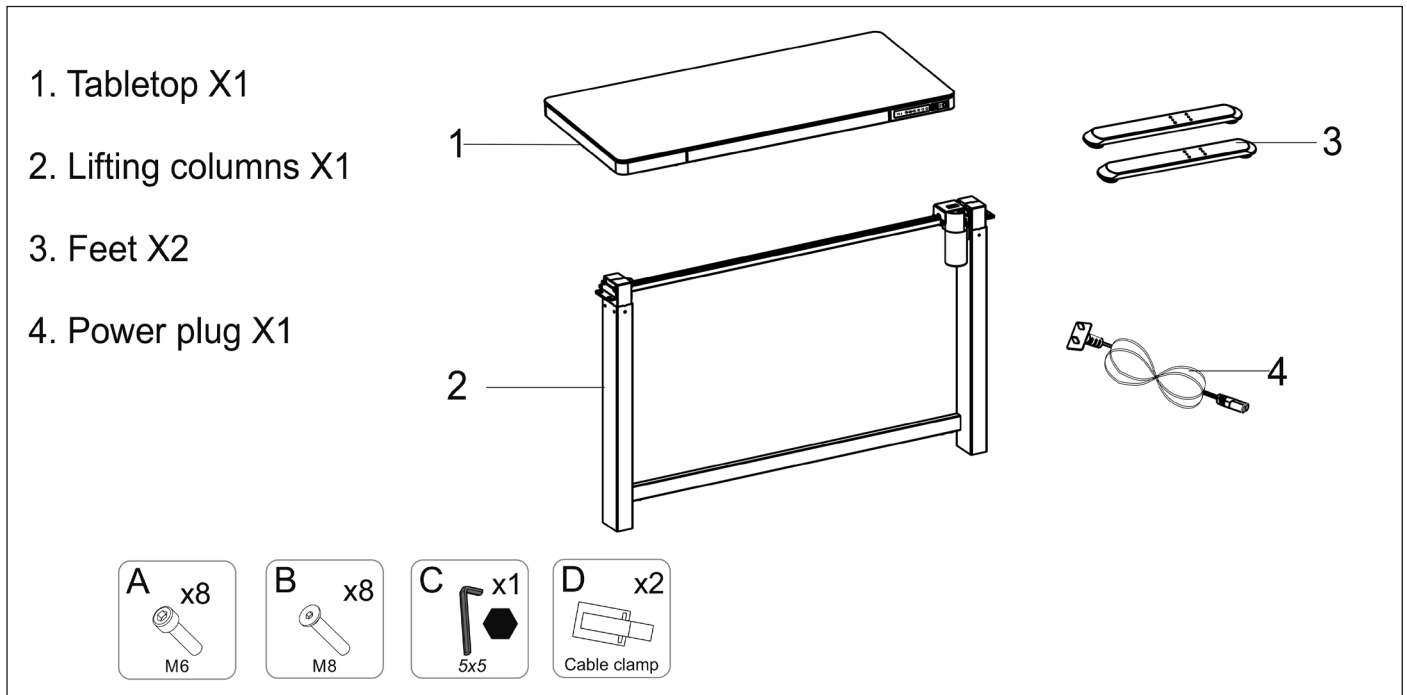
Model No. DH53

Thank you for purchasing a Dellonda product. Manufactured to a high standard, this product will, if used according to these instructions, and properly maintained, give you years of trouble free performance.

Important Information

Please read these instructions carefully and note any safe operational requirements, warnings & cautions. Use the product correctly and with care for the purpose for which it is intended. Failure to do so may cause damage and/or personal injury and will invalidate the warranty. Keep these instructions safe for future use.

Contents



About the Product


Height-adjustable desk with stylish 6mm tempered glass desktop ideal for your office or home needs. Features digital control panel with four programmable memory presets enabling you to reach your desired height with the push of a button. Control panel also features 2x USB and 1x Type C port. Includes handy storage drawer to store your office or home essentials. Single motor system ensures a fast and stable adjustment. Features ultra-quiet operation with a sound level less than 50dB. Some simple assembly is required.

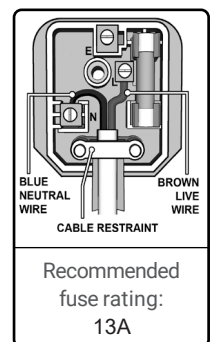
Specification

- Height range: 720-1210mm
- Speed: 25mm/s²
- Desktop dimensions 1200 x 600mm
- Drawer dimensions 666 x 315 x 40mm
- Sound level <50dB
- Max. load capacity 50kg
- Supply 230v

Safety Instructions

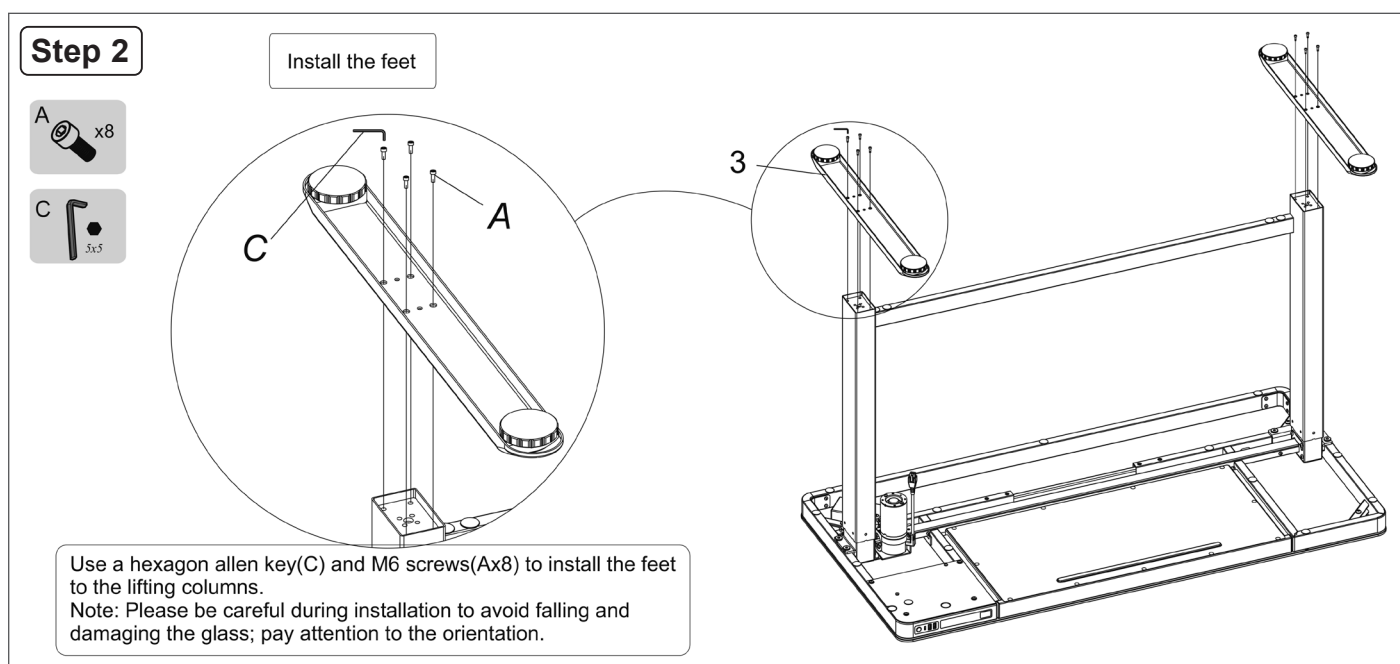
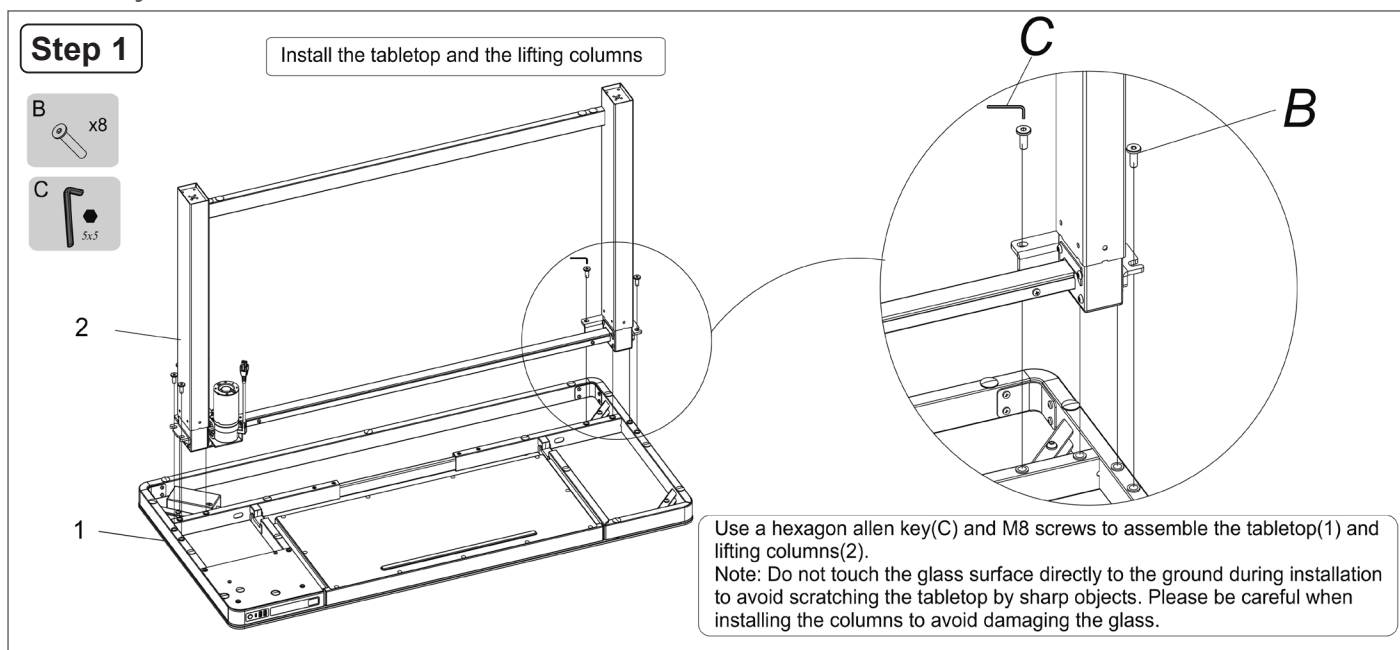
• ELECTRICAL SAFETY

- **WARNING!** It is the user's responsibility to check the following:
 - Check all electrical equipment and appliances to ensure that they are safe before using. Inspect power supply leads, plugs and all electrical connections for wear and damage. Dellonda recommend that an **RCD** (Residual Current Device) is used with all electrical products. You may obtain an **RCD** by contacting your local domestic stockist.
 - connections to ensure that they are secure.
 - **Important:** Ensure that the voltage rating on the appliance suits the power supply to be used and that the plug is fitted with the correct fuse - see fuse rating in these instructions.
 - **DO NOT** pull or carry the appliance by the power cable.
 - **DO NOT** pull the plug from the socket by the cable.
 - **DO NOT** use worn or damaged cables, plugs or connectors.
 - Ensure that any faulty item is repaired or replaced immediately by a qualified electrician.
 - This product is fitted with a **BS1363/A 13 Amp 3 pin plug**.
 - If the cable or plug is damaged during use, switch off the electricity supply and remove from use.
 - Replace a damaged plug with a **BS1363/A 13 Amp 3 pin plug**. If in doubt contact a qualified electrician.
 - Class **II** products are wired with live (brown) and neutral (blue) only, and are marked with the Class **II** symbol. 
- A) Connect the **BROWN** live wire to the live terminal 'L'.
- B) Connect the **BLUE** neutral wire to the neutral terminal 'N'.
- C) Check that there are no bare wires and ensure that all wires are correctly connected.
- Ensure that the cable outer sheath extends inside the cable restraint and that the restraint is tight.
- **DO NOT** connect either wire to the earth terminal.
- Dellonda recommend that repairs are carried out by a qualified electrician.



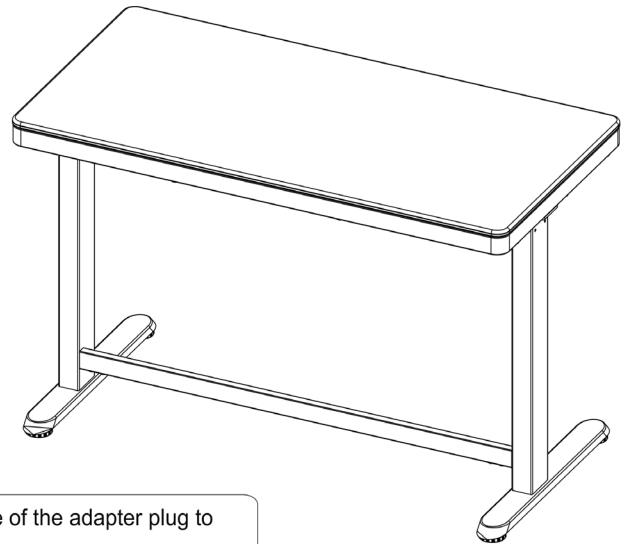
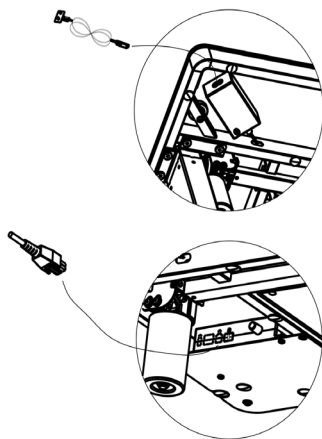
- Unplug the power source before cleaning. Wipe the dust on surface with slight damp cloth when cleaning, **DO NOT** get water in the electrical housing, and be careful not to loosen any cables.
- Check carefully to ensure correct and complete assembly before use.
- Familiarise yourself with all functions and program settings of the product before first use.
- **DO NOT** let children play on the product.
- Slight noise caused by the V-ribbed belt or brake system will not have any effect on the use of the equipment.
- **DO NOT** clean the unit with corrosive or abrasive materials.
- This appliance can be used by children aged from 8 years and above and persons with reduced physical, sensory or mental capabilities or lack of experience and knowledge if they have been given supervision or instruction concerning use of the appliance in a safe way and understand the hazards involved. Children shall not play with the appliance.
- If the supply cord is damaged, it must be replaced by the manufacturer, its service agent or a similarly qualified person in order to avoid a hazard and prolong the life of the equipment.
- **ALWAYS** make sure there are no hazards in the operating environment. e.g., nothing that will get hooked up on the desk, or stop the desk from raising or lowering fully.
- Operating environment temperature 0-40°C.
- Keep the original instructions, for future reference.
- **ALWAYS** inspect the unit prior to use for fatigue and damage.
- Always be careful with the packaging materials in order to avoid any possible danger, e.g. plastic bag may lead to choking hazard to children.
- Keep the original packaging of the equipment if necessary in case of the future use in transportation.
- **DO NOT** clamp any components to the glass desk top, otherwise the glass top may burst and cause injury.

Assembly



Step 3

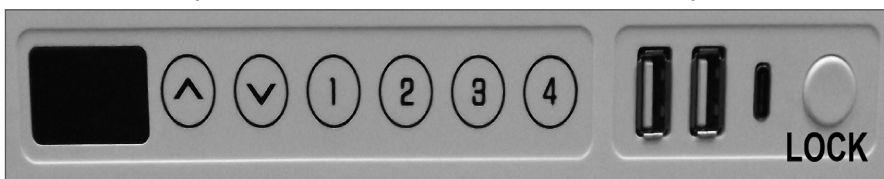
Install the motor and power lines



Connect the motor plug to the control box, then connect one side of the adapter plug to the adapter, another side to the power line.
Caution: the motor and power lines can be fixed by cable clamp according to actual use.

Operation

- 1. Touch the up/down button to adjust the height of the desk. Keep pressing the up/down button for 2 seconds to continue to adjust the height of the desk. The desktop will run to its lowest point and displays 'bot'. When the desktop runs to its highest point it displays 'top'.
- 2. **Key button:** 1,2,3,4 are the four height memory buttons.
Long press the button for approximately 3 seconds to store the current height.
- 3. Long press for 5 seconds buttons 3 and 4 (at the same time), 'ASr' (reset) indication will appear.
Press the down arrow button until the lifting table lowers to the lowest position and rebounds to rise to a stop. The display shows the lowest height "bot". Release the button, the reset is over and the table can be used normally.
- 4. The desk has 2 **USB** ports and one type-C port. They can provide power to other electronics and support charging protocols.
Type-C output: 5V 3A/9V 2A/12V 1.5A
Type-A output: 3.6-6.5V 2.4A/6.5-9V 2A/12V 1.5A.
Total output power of single port: 18W max.
- When the desk is lifting output power will be stopped, and resume when lifting stops.
- 5. Short press the "**LOCK**" button to activate the **child lock function**.
This will stop the desk operating if the buttons are accidentally touched.
The screen will show "Loc" and beep when the desk is locked.
Press the "LOCK" button (beep will sound) again to unlock.
- 6. Long press the up and down button to switch the **sensitivity level**.
Press the up and down buttons again to scroll through the sensitivity settings:
When the screen shows "A-0", it means the anti-collision function is off, "A-1" means the anti-collision sensitivity is in level 1, "A-2" means the anti-collision sensitivity is in level 2, "A-3" means the anti-collision sensitivity is in level 3. Level 3 is the highest sensitivity.



Troubleshooting

- **RESET:** When the LED displays "ASr" press the down button until the desk reaches its lowest height and rebounds to stop. The reset has completed.
- When the desk does not work and the LED shows "E01" or "E02", wait 18 minutes before trying to operate again.
- If the down button does not work, check the cable connections and then turn the power off for at least 10 seconds. Turn on the power and press the down button to start the **RESET** process when the LED displays "ASr".
- If none of the above processes work please contact Dellonda Customer Service.

Troubleshooting chart

Problem	Solution
No response when long pressing the down arrow after connecting a power supply	Check that all cables are connected
	Contact your supplier
No response when long pressing up/down arrow after connecting a power supply	Check that all cables are connected
	Contact your supplier
Rises slowly	Check if overloaded (max. loading 50kg)
	Contact your supplier
The motor will not move as instructed	Contact your supplier
Desk will go down but will not go up	Reposition
Desk slides down	Check if desk is overloaded (max. loading is 50kg)
	Contact your supplier
Desk frequently repositions	Check if overloaded
	Contact your supplier
Desk is overworked (duty cycle is max. 2 mins on & 18 mins off)	Remove power supply. Restart after waiting 18 mins
Insufficient ascent and descent height	Press "3" & "4" buttons at the same time for more than 3 secs until the buzzer sounds twice, then reset again
	Contact your supplier



Environment Protection, Waste Electrical and Waste Electronic Equipment Regulations (WEEE)



Recycle unwanted packaging materials. When this product is no longer required, or has reached the end of its useful life, please dispose of in an environmentally friendly way. Drain any fluids (if applicable) into approved containers, in accordance with local waste regulations.



Please note that this product contains one or more batteries. It is our policy to continually improve products and we reserve the right to alter data, specifications and parts without prior notice. No liability is accepted for incorrect use of this product. Guarantee is 12 months from purchase date, proof of which is required for any claim.



Dellonda Limited

Kempson Way, Suffolk Business Park, Bury St Edmunds, Suffolk. IP32 7AR



01284 757575



support@dellonda.co.uk



www.dellonda.co.uk