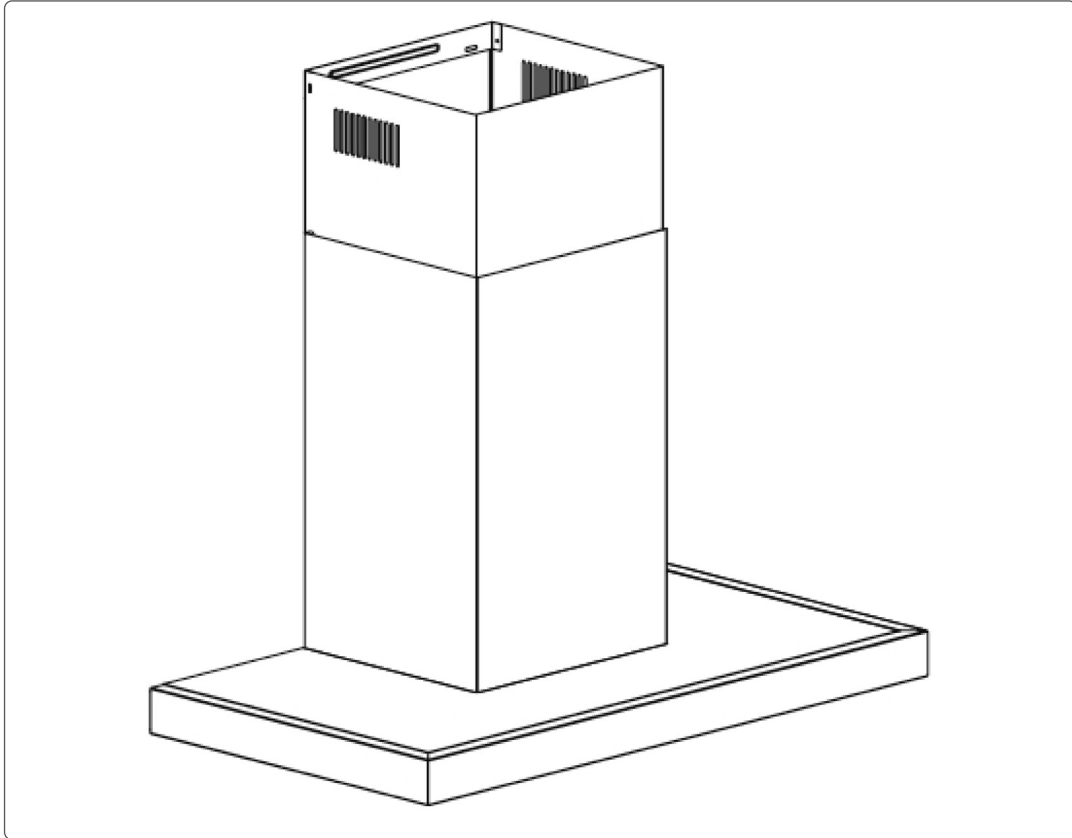




60cm T Shape Chimney Cooker Hood+Carbon Filters Stainless



Model No. DH130

Thank you for purchasing a Dellonda product. Manufactured to a high standard, this product will, if used according to these instructions, and properly maintained, give you years of trouble free performance.

Important Information

Please read these instructions carefully. Note the safe operational requirements, warnings & cautions. Use the product correctly and with care for the purpose for which it is intended. Failure to do so may cause damage and/or personal injury and will invalidate the warranty. Keep these instructions safe for future use.



Refer to
instruction
manual



Warning:
Hot
Surface

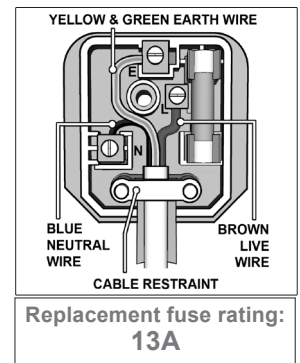
Specification

Airflow: 590m³/h
Cable Length: 1.5m
Colour: Stainless Steel - 430SS
Control: 3 Speed Push Button
Design: T Shape Chimney
Energy Efficiency Class: B
Headroom: 60cm
Power: 190W
Product dimensions: 600 x 505 x 450/830mm
Supply: 220-240V
Type: Wall Mounted

Safety Instructions

• ELECTRICAL SAFETY

- **WARNING!** It is the user's responsibility to check the following:
- Check all electrical equipment and appliances to ensure that they are safe before using. Inspect power supply leads, plugs and all electrical connections for wear and damage. Dellonda recommend that an RCD (Residual Current Device) is used with all electrical products. You may obtain an RCD by contacting your local domestic stockist. If the product is used in the course of business duties, it must be maintained in a safe condition and routinely PAT (Portable Appliance Test) tested.
- **Electrical safety information:** It is important that the following information is read and understood.
- Ensure that the insulation on all cables and on the appliance is safe before connecting it to the power supply.
- Regularly inspect power supply cables and plugs for wear or damage and check all connections to ensure that they are secure.
- **Important:** Ensure that the voltage rating on the appliance suits the power supply to be used and that the plug is fitted with the correct fuse - see fuse rating in these instructions.
- **DO NOT** pull or carry the appliance by the power cable.
- **DO NOT** pull the plug from the socket by the cable.
- **DO NOT** use worn or damaged cables, plugs or connectors.
- Ensure that any faulty item is repaired or replaced immediately by a qualified electrician.
- This product is fitted with a BS1363/A 13 Amp 3 pin plug. If the cable or plug is damaged during use, switch off the electricity supply and remove from use. Ensure that repairs are carried out by a qualified electrician.
- Replace a damaged plug with a BS1363/A 13 amp 3 pin plug. If in doubt contact a qualified electrician.
 - A) Connect the GREEN/YELLOW earth wire to the earth terminal 'E'.
 - B) Connect the BROWN live wire to the live terminal 'L'.
 - C) Connect the BLUE neutral wire to the neutral terminal 'N'.
- Ensure that the cable outer sheath extends inside the cable restraint and that the restraint is tight.
- Dellonda recommend that installation and repairs are carried out by a qualified electrician.



• GENERAL SAFETY

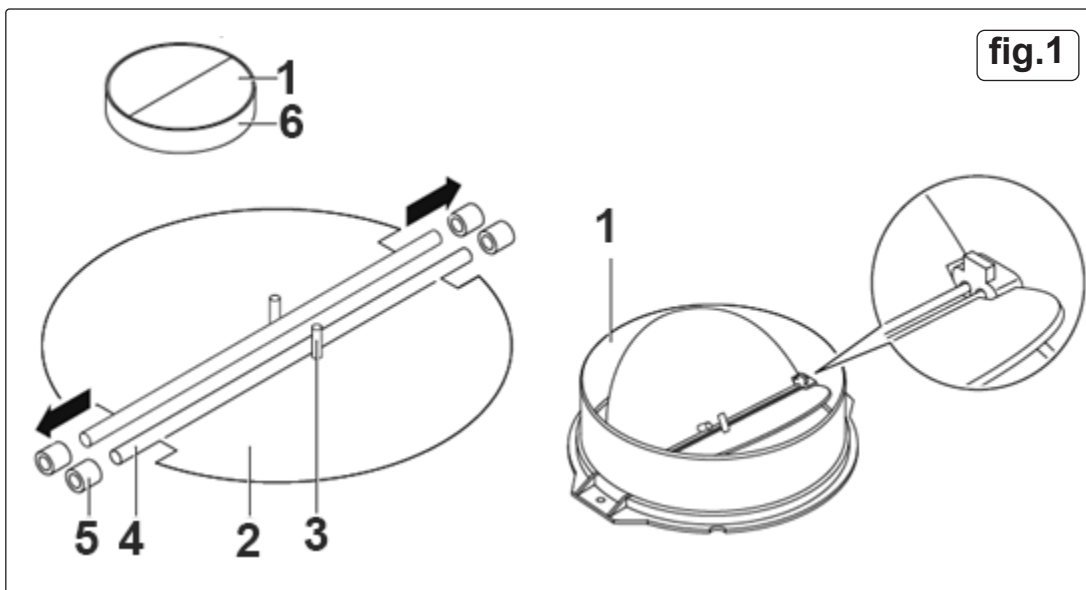
- This manual explains the proper installation and use of your cooker hood, please read it carefully before using even if you are familiar with the product. The manual should be kept in a safe place for future reference.
- **DO NOT** try to use the cooker hood without the grease filters or if the filters are excessively greasy!
- **DO NOT** install above a cooker with a high level grill.
- **DO NOT** leave frying pans unattended during use because overheated fats or oils might catch fire.
- Never leave naked flames under the cooker hood.
- If the cooker hood is damaged, do not attempt to use.
- **DO NOT** flambé under the cooker hood.
- **CAUTION:** Accessible parts may become hot when used with cooking appliances.
- The minimum distance between the supporting surface for the cooking vessels on the hob and the lowest part of the cooker hood, when the cooker hood is located above a gas appliance, shall be at least 65 cm)
- The air must not be discharged into a flue that is used for exhausting fumes from appliances burning gas or other fuels.
- **ALWAYS:**
 - Important! Always switch off the electricity supply at the mains during installation and maintenance such as light bulb replacement.
 - The cooker hood must be installed in accordance with the installation instructions and all measurements followed.
 - All installation work must be carried out by a competent person or qualified electrician.
 - Please dispose of the packing material carefully. Children are vulnerable to it.
 - Pay attention to the sharp edges inside the cooker hood especially during installation and cleaning.
 - Make sure the ducting has no bends sharper than 90 degrees as this will reduce the efficiency of the cooker hood.

- **WARNING:** Failure to install the screws or fixing device in accordance with these instructions may result in electrical hazards.
- **WARNING:** Before obtaining access to terminals, all supply circuits must be disconnected.
- Always put lids on pots and pans when cooking on a gas cooker.
- When in extraction mode, air in the room is being removed by the cooker hood. Please make sure that proper ventilation measures are being observed.
- There shall be adequate ventilation of the room when the range hood is used at the same time as appliances burning gas or other fuels.
- The cooker hood removes odours from room but not steam.
- Cooker hood is for domestic use only.
- If the supply cord is damaged, it must be replaced by the manufacturer, its service agent or similarly qualified persons in order to avoid a hazard.
- This appliance can be used by children aged from 8 years and above and persons with reduced physical, sensory or mental capabilities or lack of experience and knowledge if they have been given supervision or instruction concerning use of the appliance in a safe way and understand the hazards involved. Children shall not play with the appliance. Cleaning and user maintenance shall not be made by children without supervision.
- **WARNING:** Before obtaining access to terminals, all supply circuits must be disconnected.
- **CAUTION:** The appliance and its accessible parts can become hot during operation. Be careful to avoid touching the heating elements. Children younger than 8 years old should stay away unless they are under permanent supervision.
- There is a fire risk if cleaning is not carried out in accordance with the instructions
- Regulations concerning the discharge of air have to be fulfilled.
- Clean your appliance periodically by following the method given in the chapter MAINTENANCE.
- For safety reason, please use only the same size of fixing or mounting screw which are recommended in this instruction manual.
- Regarding the details about the method and frequency of cleaning, please refer to maintenance and cleaning section in the instruction manual.
- Cleaning and user maintenance shall not be made by children without supervision.
- When the cooker hood and appliances supplied with energy other than electricity are simultaneously in operation, the negative pressure in the room must not exceed 4 Pa (4 x 10⁻⁵ bar).
- **WARNING:** Danger of fire: do not store items on the cooking surfaces.
- A steam cleaner is not to be used.
- NEVER try to extinguish a fire with water, but switch off the appliance and then cover flame e.g. with a lid or a fire blanket.

• INSTALLATION (VENT OUTSIDE)

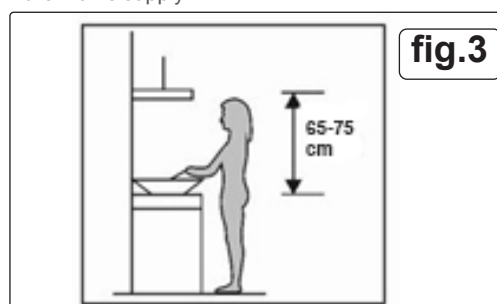
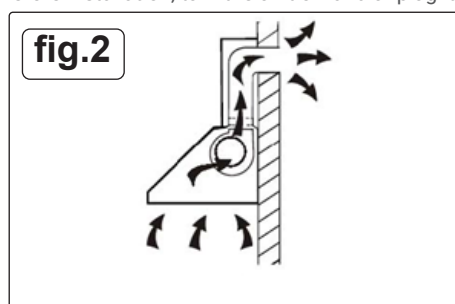
• V-FLAP MOUNTING

- If the cooker hood does not have an assembled V-flap 1, you should mount the half-parts to its body. The images only show an example of how to mount the V-flap, the outlet may be various according to different models and configuration.
- To mount the V-flap 1:
- Mount two halves 2 into the body 6
- a pin 3 should be on the top;
- the axle 4 should be inserted in the holes 5 on body;
- repeat all the operations for the 2nd half



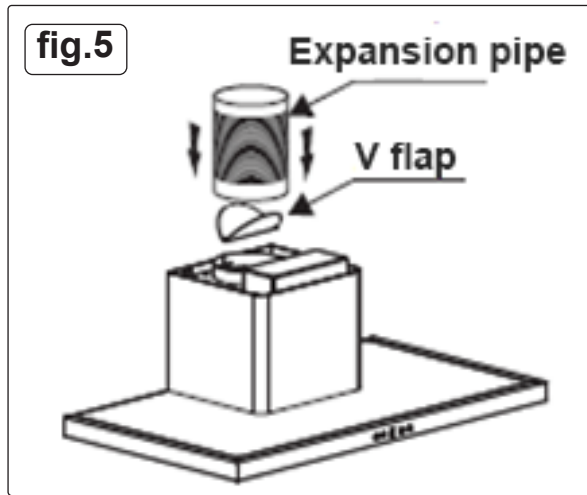
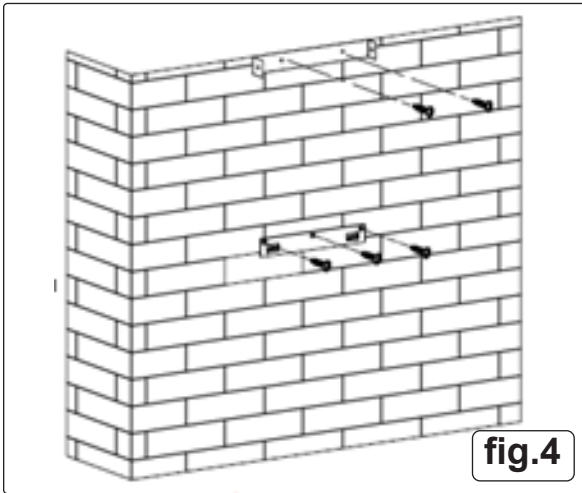
INSTALLATION

- If you have an outlet to the outside, your cooker hood can be connected as per fig.2 by means of an extraction duct (enamel, aluminium, flexible pipe or non-flammable material with an interior diameter of 150mm).
- Before installation, turn the unit off and unplug it from the mains supply.

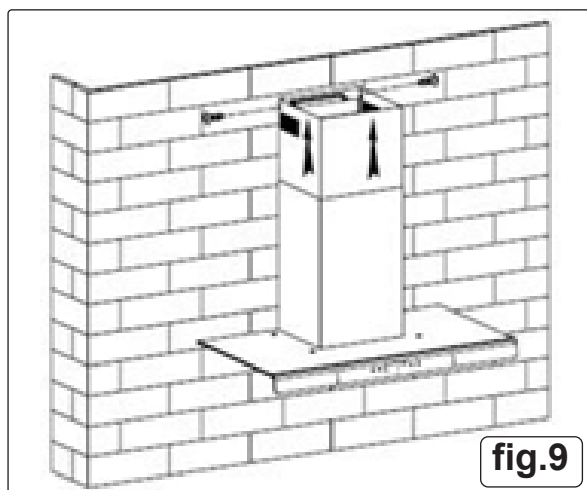
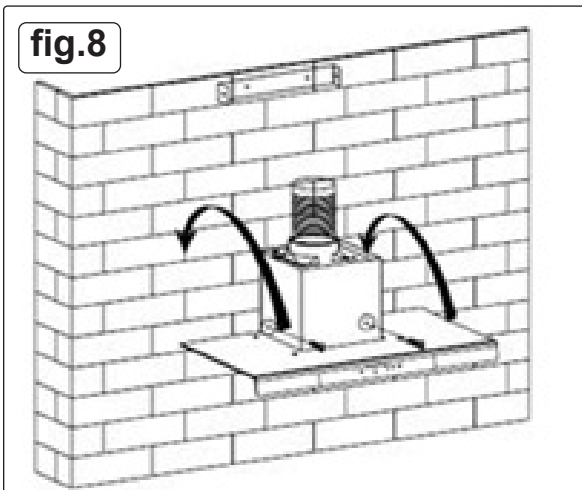
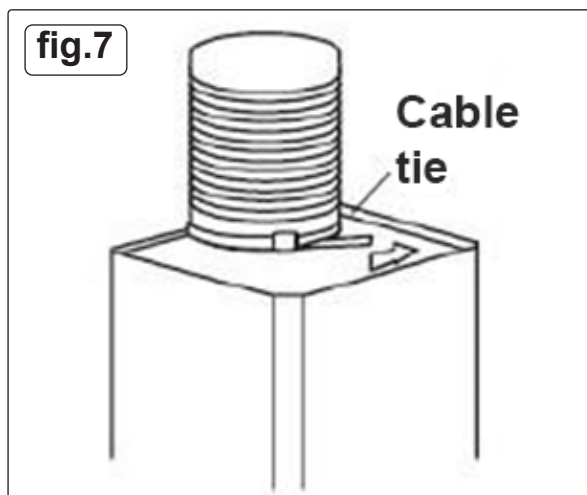
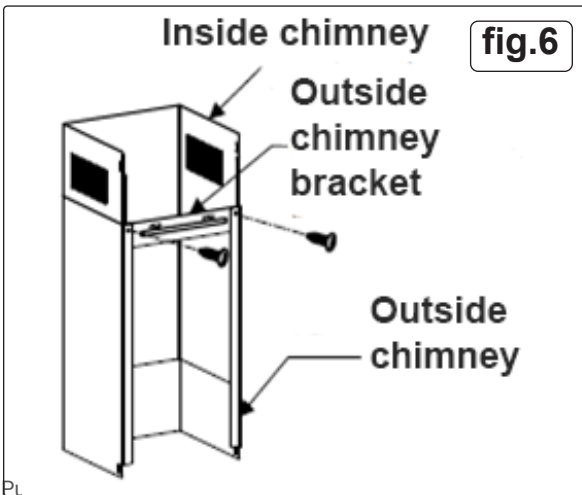


- The cooker hood should be placed at a distance of 65~75cm above the cooking surface for best performance, fig.3.

- Install the hook on a suitable place once the installation height is fixed, and keep it in line. The fixed position of the inside chimney bracket is the place of chimney.



- Install the expansion pipe and chimney on the cooker hood, fig.5.
- Fix the outside chimney bracket on the outside chimney, ensure that the inside chimney height can be adjusted, as well as fixing the expansion pipe.
- Offer the expansion pipe to the wall outlet. Fix the expansion pipe with the cable tie on the wall-outlet, fig.7.

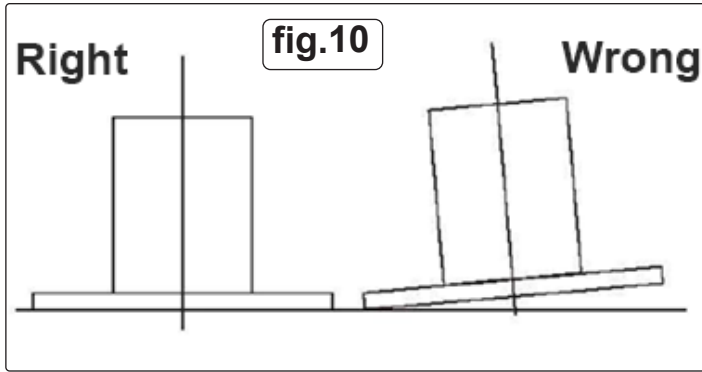


- Adjust the height of the inside chimney to the position of the inside chimney bracket and fix on with screws, after adjusting the position, fix the body with safety screw, fig.9. Note: The two safety vents are positioned on the back housing, with diameter of 6mm.

EXHAUST DUCT INSTALLATION

- The following rules must be strictly followed to obtain optimal air extraction:
- Keep expansion pipe short and straight.
- **DO NOT** reduce the size or restrict expansion pipe.
- When using expansion pipe always install the pipe pulled taut to minimize pressure loss.
- Failure to observe these basic instructions will reduce the performance and increase noise levels of the cooker hood.
- Any installation work must be carried out by a qualified electrician or competent person.
- **DO NOT** connect the ducting system of the hood to any existing ventilation system which is being used for any other appliance, such as warmer tube, gas tube, hot wind tube.

- The angle of the bend of the expansion pipe should not be less than 120°; you must direct the pipe horizontally, or, alternatively, the pipe should go up from the initial point and should be led to an outer wall.
- After the installation, make sure that the cooker hood is level to avoid grease collection at one end, fig.10.
- Ensure the expansion pipe selected for installation complies with relevant standards and is fire retardant.



- **WARNING** For safety reasons, please use only the same size of fixing or mounting screws which are recommended in this instruction manual.
- Failure to install the screws or fixing device in accordance with these instructions may result in electrical hazards.

OPERATION

- **LED TOUCH CONTROL**



- Press the "Power" button, the button control the "on" & "off" of the hood.
- Press the button "Speed" repeatedly, the motor runs as low / mid / high / low / mid..., and the **LED** display will indicate as 1-2-3-1-2... .
- Press "Light" button, the light turns on, press this button again, the light turns off. Please note the Lamp is not under control of the on/off button.
- When the hood is working, press the "Timer" button, hood will go into automatic running (automatic run time is 9mins), and then, **LED** display will be shown 9.8.7.6 ...decreasing by 1. When time is up, the hood will turn off automatically and the lamp will extinguish. By pressing "Timer" button, the hood will go in or go out "Timer" function.

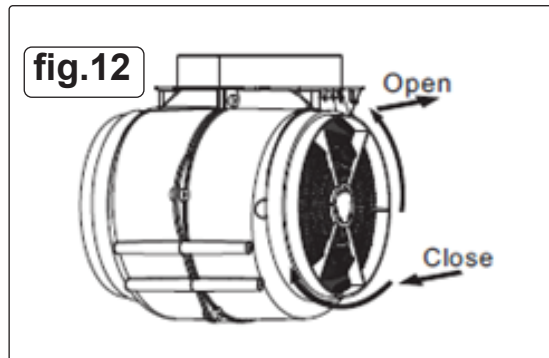
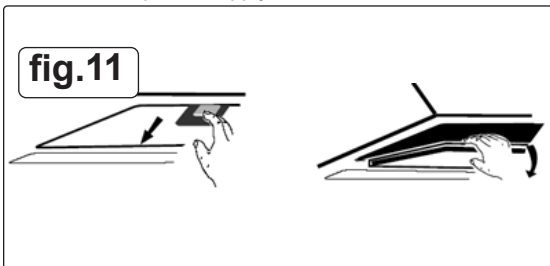
TROUBLESHOOTING

Fault	Cause	Solution
Light on but motor does not work	Fan switch turned off	Select a fan switch position
	Fan switch failed	Contact service centre
	Motor failed	Contact service centre
Light does not work, motor does not work	House fuses blown	Reset/replace fuses
	Mains cable loose or disconnected	Refit mains power cable to power outlet. Switch power on.
Oil leakage	One way valve and the outlet are not tightly sealed	Remove one way valve and seal with sealant
	Leakage from the connection of chimney and cover	Take chimney down and seal
Lights not working	Broken or faulty bulbs	Replace bulbs as per instructions in this manual
Insufficient suction	Distance between the cooker hood and the gas hob is too great	Refit the cooker hood to the correct distance
Cooker hood inclines	Fixing screws are not tight enough	Tighten the hanging screw and make horizontal

Any electrical repairs to this appliance must conform to your local, state and federal laws. Please contact the service centre if in any doubt before undertaking any of the above. Always disconnect the unit from the power source when opening the unit.

MAINTENANCE AND CLEANING

- **WARNING** Before maintenance or cleaning is carried out, the cooker hood should be disconnected from the main power supply. Ensure that the cooker hood is switched off at the wall socket and the plug removed.
- External surfaces are susceptible to scratches and abrasions, so please follow the cleaning instructions to ensure the best possible result is achieved without damage.
- **GENERAL**
- Cleaning and maintenance should be carried out with the appliance cold especially cleaning. Avoid leaving alkaline or acid substances (lemon juice, vinegar etc.) on the surfaces.
- **STAINLESS STEEL**
- The stainless steel must be cleaned regularly (e.g. weekly) to ensure long life expectancy. Dry with a clean soft cloth. A specialized stainless steel cleaning fluid may be used.
- **NOTE:** Ensure that wiping is done along with the grain of the stainless steel to prevent any unsightly criss-cross scratching patterns from appearing.
- **CONTROL PANEL SURFACE**
- The control panel can be cleaned using warm soapy water. Ensure the cloth is clean and well wrung before cleaning. Use a dry soft cloth to remove any excess moisture left after cleaning.
- **IMPORTANT**
- Using neutral detergents and avoid using harsh cleaning chemicals, strong household detergents or products containing abrasives, as this will affect the appliance appearance and potentially remove any printing of artwork on the control panel and will void manufactures warranty.
- **GREASE MESH FILTERS**
- The mesh filters can be cleaned by hand. Soak them for about 3 minute in water with a grease-loosening detergent then brush it gently with a soft brush. Do not apply too much pressure, to avoid damage . (Leave to dry naturally out of direct sun light).
- Filters should be washed separately to crockery and kitchen utensils. it is advisable not to use rinse aid.
- **INSTALLING GREASE MESH FILTERS**
- To install filters:
 - - Angle the filter into slots at the back of the hood.
 - - Push the button on handle of the filter.
 - - Release the handle once the filter fits into a resting position.
 - - Repeat to install all filters.
- **CARBON FILTER** fig's 11 & 12
- Activated carbon filter can be used to trap odours. Normally the activated carbon filter should be changed at three or six months according to your cooking habits. The installation procedure of activated carbon filter is as below.
 1. **WARNING** Before installing or replacing the carbon filters, disconnect from mains supply.
 2. Press the filter lock and remove the mesh filter.
 3. Turn the carbon filter on both side of the motor anti-clockwise. Replace the carbon filters with the new carbon filters.
 4. Place the mesh filter.
 5. Connect the power supply to the wall socket.



- **NOTE:** Make sure the filter is securely locked.
- Otherwise, it could loosen and be dangerous.
- When the activated carbon filter is fitted, the suction power will be lowered.

BULB REPLACEMENT

- The bulb must be replaced by the manufacturer, its service agent or similarly qualified persons.
- **WARNING** Always switch off the electricity supply before carrying out any operations on the appliance. When handling bulb, make sure it is completely cool down before any direct contact to hands. Hold bulbs with a cloth or gloves to ensure perspiration does not come in contact with the globe as this can reduce the life of the globe.
- **Changing a lamp bulb for LED**
- Remove the grease filter.
- Use a tool/ hand to press the spring clip of both sides of **LED** light to the inside, until the light is pressed out, fig.13. Then slightly pull the light connecting wire out, and dismantle the terminal of the light connecting wire, fig.14.
- Apply the reverse procedure to install the light back.
- **BULB:** ILCOS D code for this lamp is: DSR-1.5/65-S-64– LED modules –round lamp – Max wattage: 2x1.5 W – Voltage range: DC 12V,
- Dimensions see fig.16.

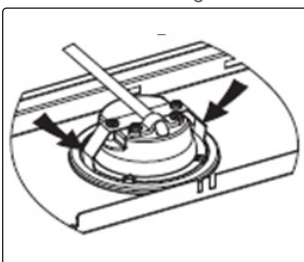


fig.13

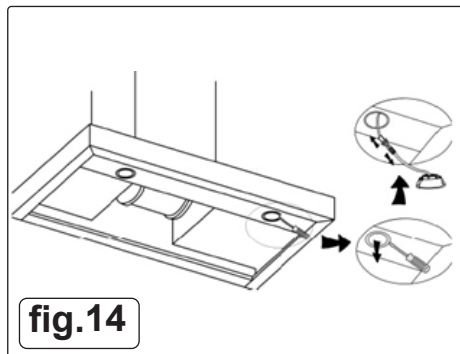


fig.14

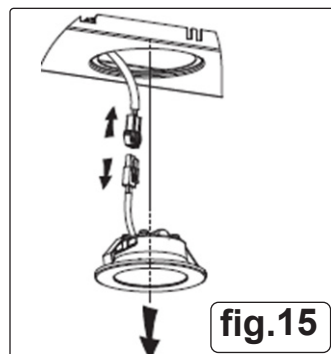


fig.15

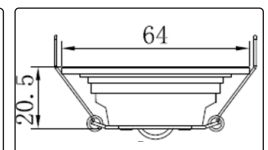


fig.16

Environment Protection and Waste Protection and Electrical Equipment Regulations (WEEE)

Recycle unwanted packaging materials. When this product is no longer required, or has reached the end of its useful life, please dispose of it in an environmentally friendly way. Drain any fluids (if applicable) into approved containers, in accordance with local waste regulations. Under the Waste Batteries and Accumulators Regulations 2009, Dellonda would like to inform the user that this product contains one or more batteries. It is our policy to continually improve products and we reserve the right to alter data, specifications and parts without prior notice. No liability is accepted for incorrect use of this product. Guarantee is 12 months from purchase date, proof of which is required for any claim.

Dellonda Limited

Kempson Way, Suffolk Business Park, Bury St Edmunds, Suffolk. IP32 7AR



01284 757575



support@dellonda.co.uk



www.dellonda.co.uk