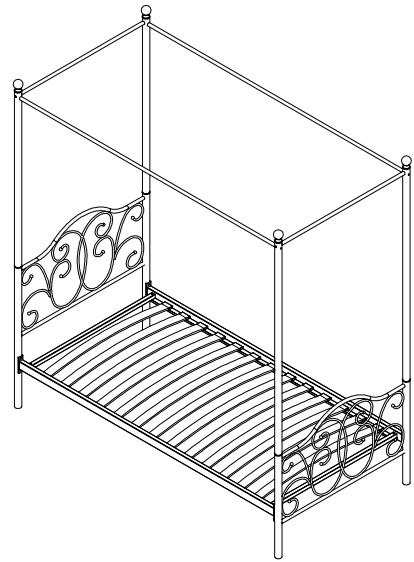


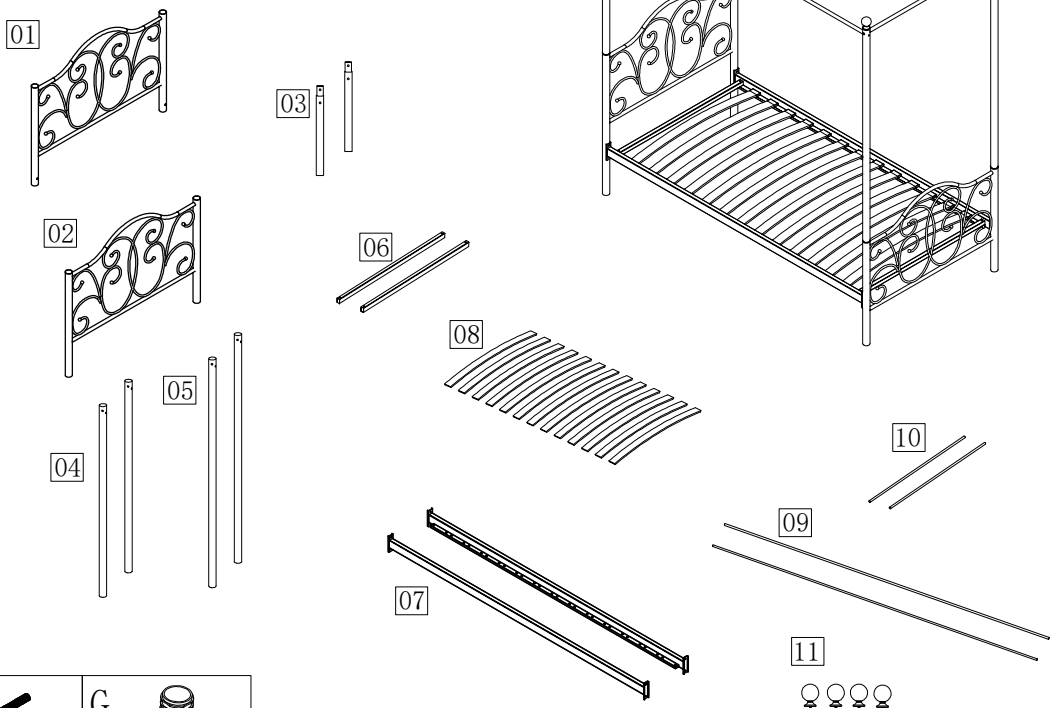
Parts check list

Assembly Sheet










ML-H26

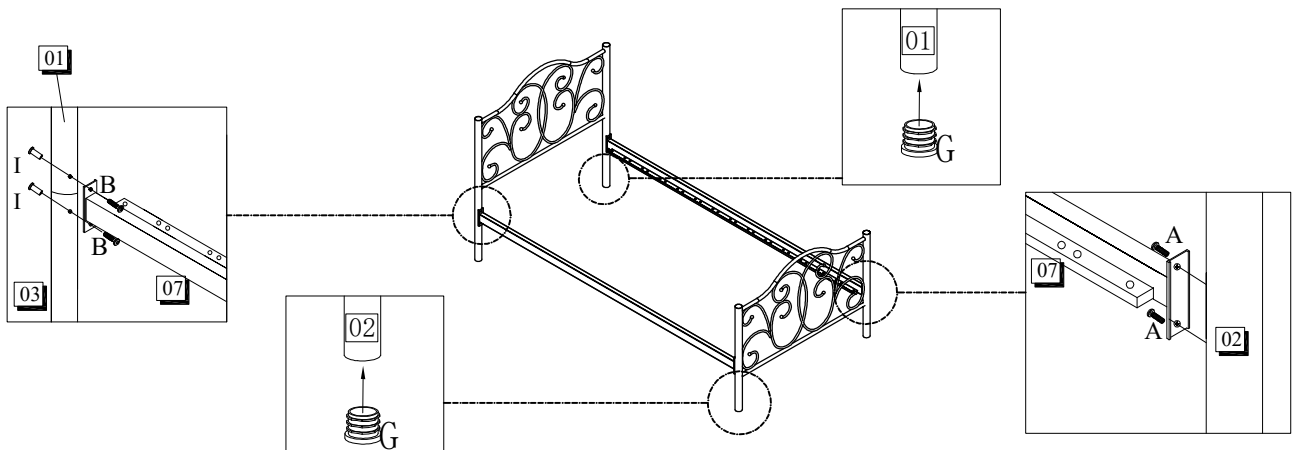





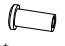
NO.	Particulars	QTY
01	headboard	1
02	footboard	1
03	extension tube of headboard	2
04	footboard short post	2
05	headboard long post	2
06	transverse tubule	2
07	side rail	2
08	sprung slats	13
09	long bar of curtain	2
10	short bar of curtain	2
11	iron ball	4

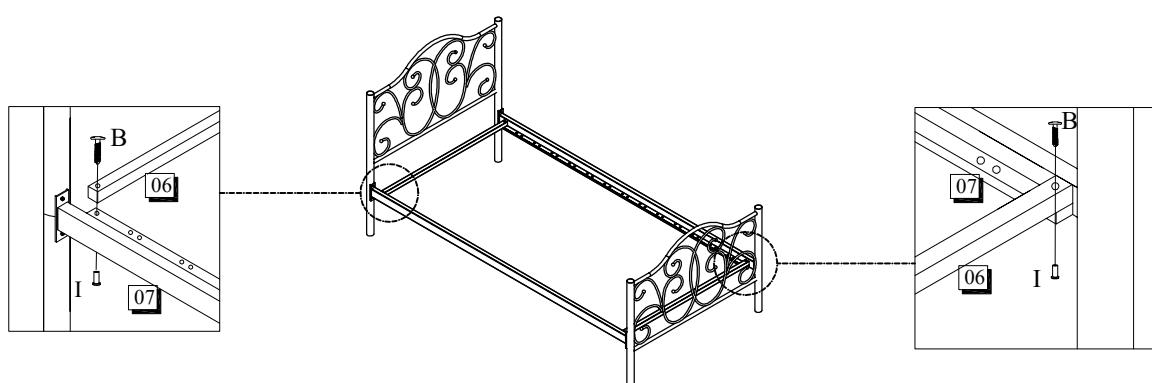



Hardware list


A  M6X25MM 4 PCS	C  M6X50MM 8 PCS	E  M8X50 4 PCS	G  $\phi 38$ 4 PCS
B  M6X30MM 8 PCS	D  flat gasket 4 PCS	F  SIDE SLAT STOPPER 26PCS	H  4X4MM 2 PCS
			I  M6 butt joint nut 8 PCS

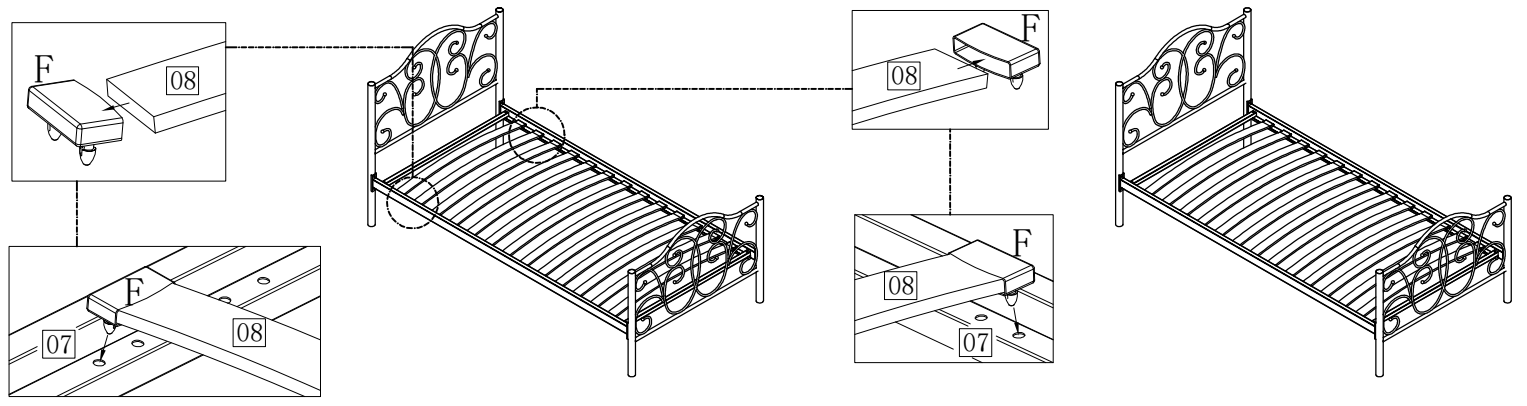




A  M6X25MM 4 PCS
B  M6X30MM 4 PCS
G  $\phi 38$ 4 PCS
I  M6 butt joint nut 4 PCS

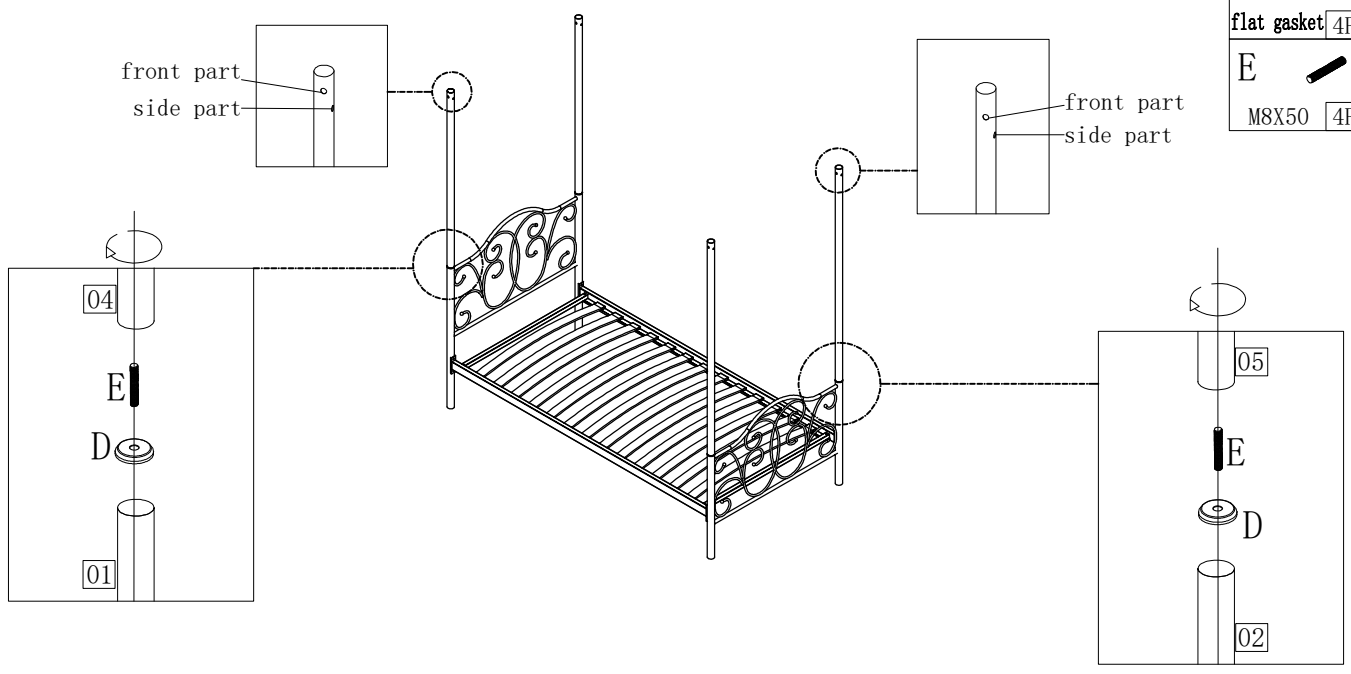



B  M6X30MM 4 PCS
I  M6 butt joint nut 4 PCS

F 
 SIDE SLAT
 STOPPER 26PCS



D 
 flat gasket 4PCS
E 
 M8X50 4PCS



C 
 M6X50MM 8 PCS

