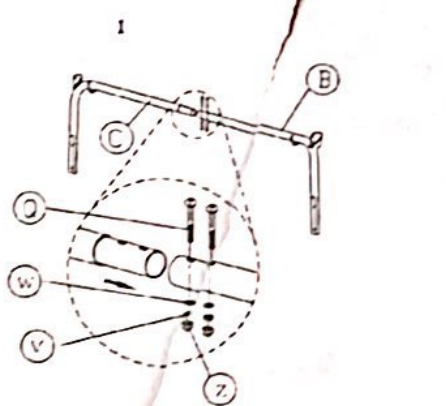
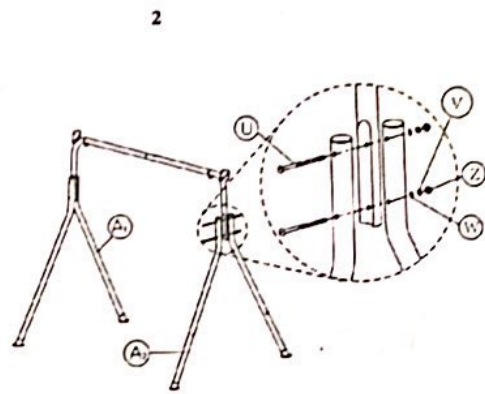


A <sub>1</sub> 2	A <sub>2</sub> 2	B 1	C 1
D 2	E 1	F 1	G 4
I 2	J 1	K 2	L 2
M 1	N 1	P 2	Q 6
R 4	R <sub>1</sub> 2	S 4	T 3

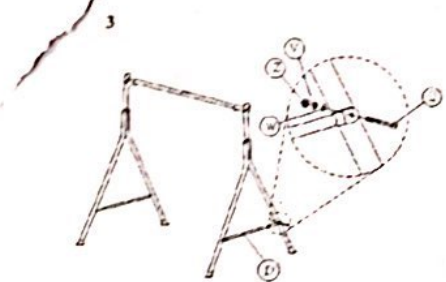
U 4	V 23	W 23	Y 2
Y1 2	Z 23	Z1 1	Z2 1



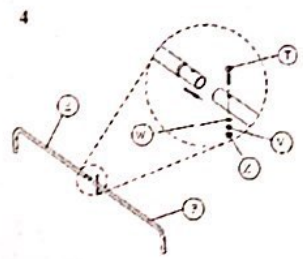
- B x 1
- C x 1
- Q x 2
- W x 2
- V x 2
- Z x 2



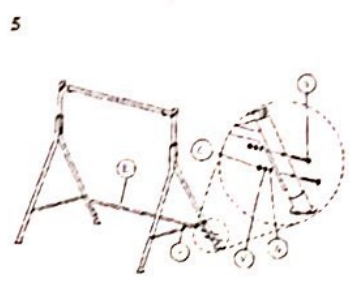
- A1 x 2
- A2 x 2
- U x 4
- W x 4
- V x 4
- Z x 4



- D x 1
- U x 4
- W x 4
- V x 4
- Z x 4

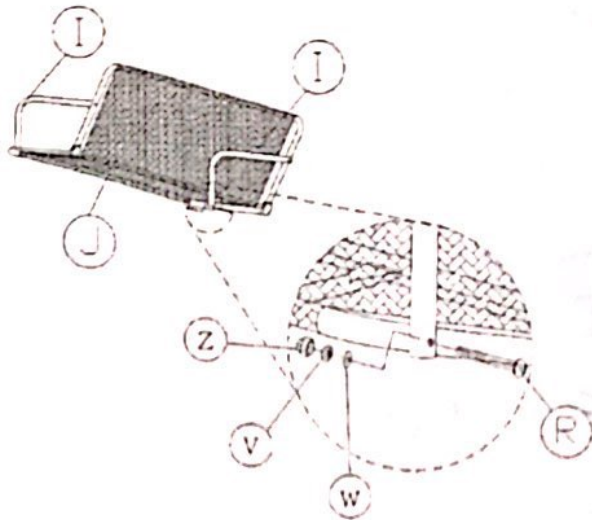


- E x 1
- F x 1
- W x 1
- V x 1
- Z x 1
- T x 1



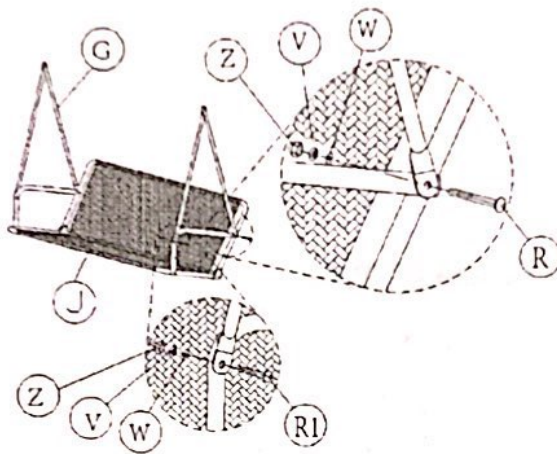
- G x 1
- H x 1
- W x 1
- V x 1
- Z x 1

6



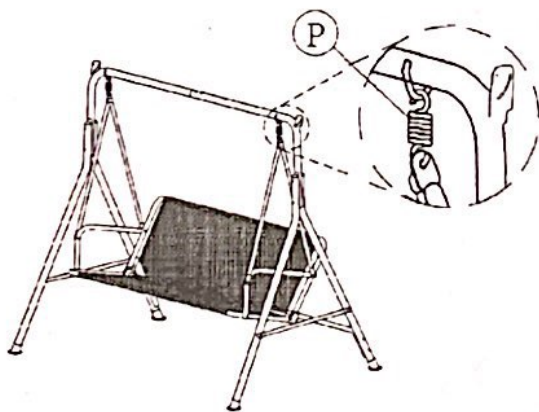
- I × 2
- J × 1
- R × 2
- W × 2
- V × 2
- Z × 2

7



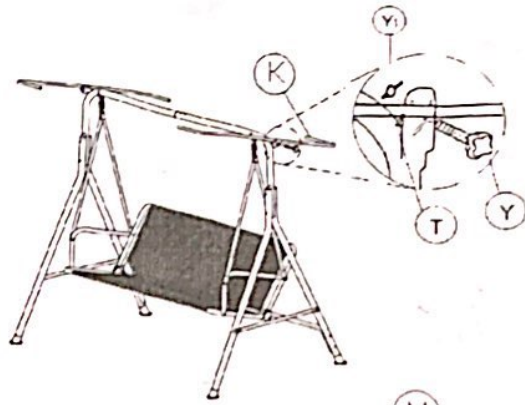
- G × 4
- R × 2
- RI × 2
- W × 4
- V × 4
- Z × 4

8



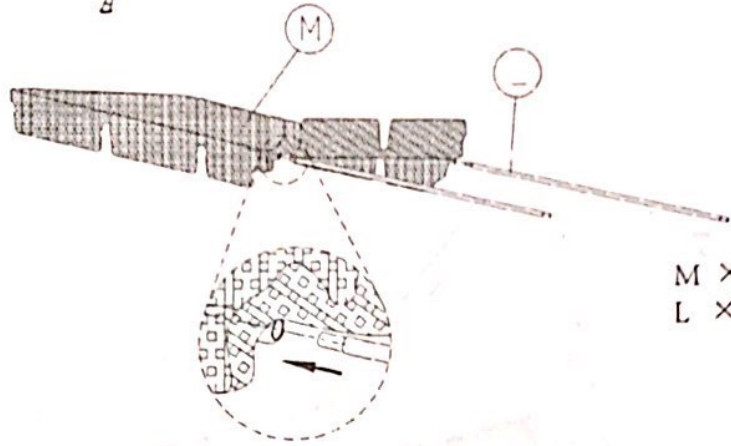
- P × 2

9



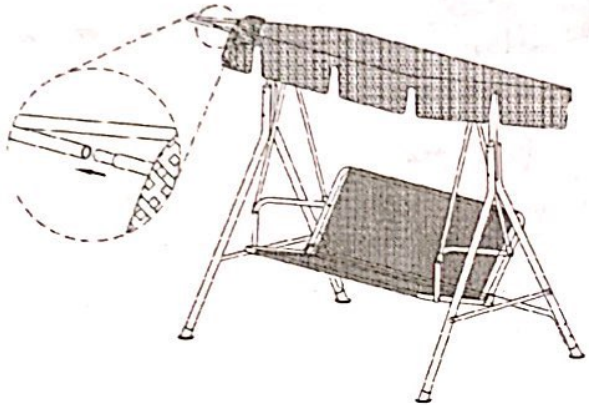
K × 2  
 Y × 2  
 Y1 × 2  
 T × 2

10

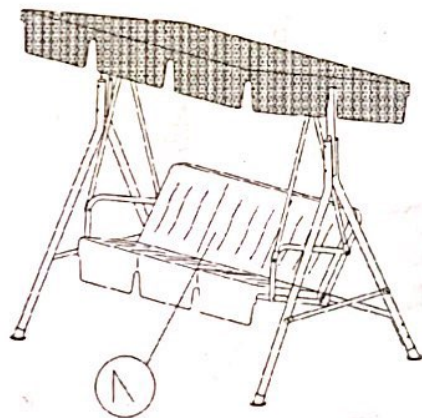


M × 1  
 L × 2

11



12



N × 1