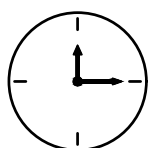
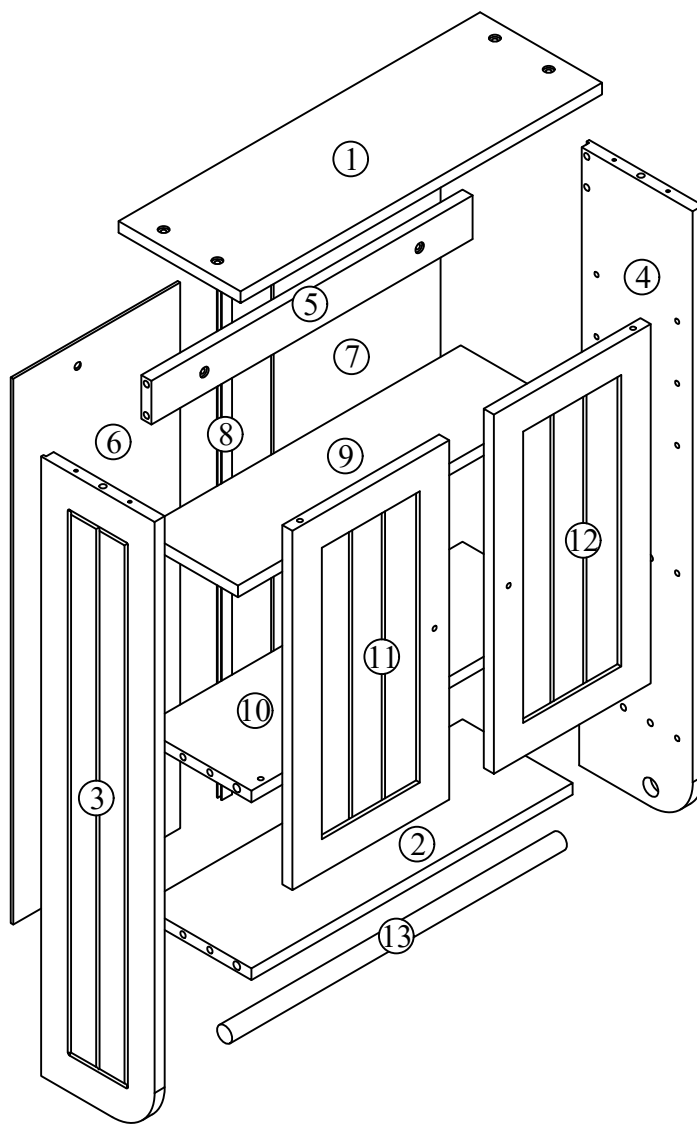


2 PERS.

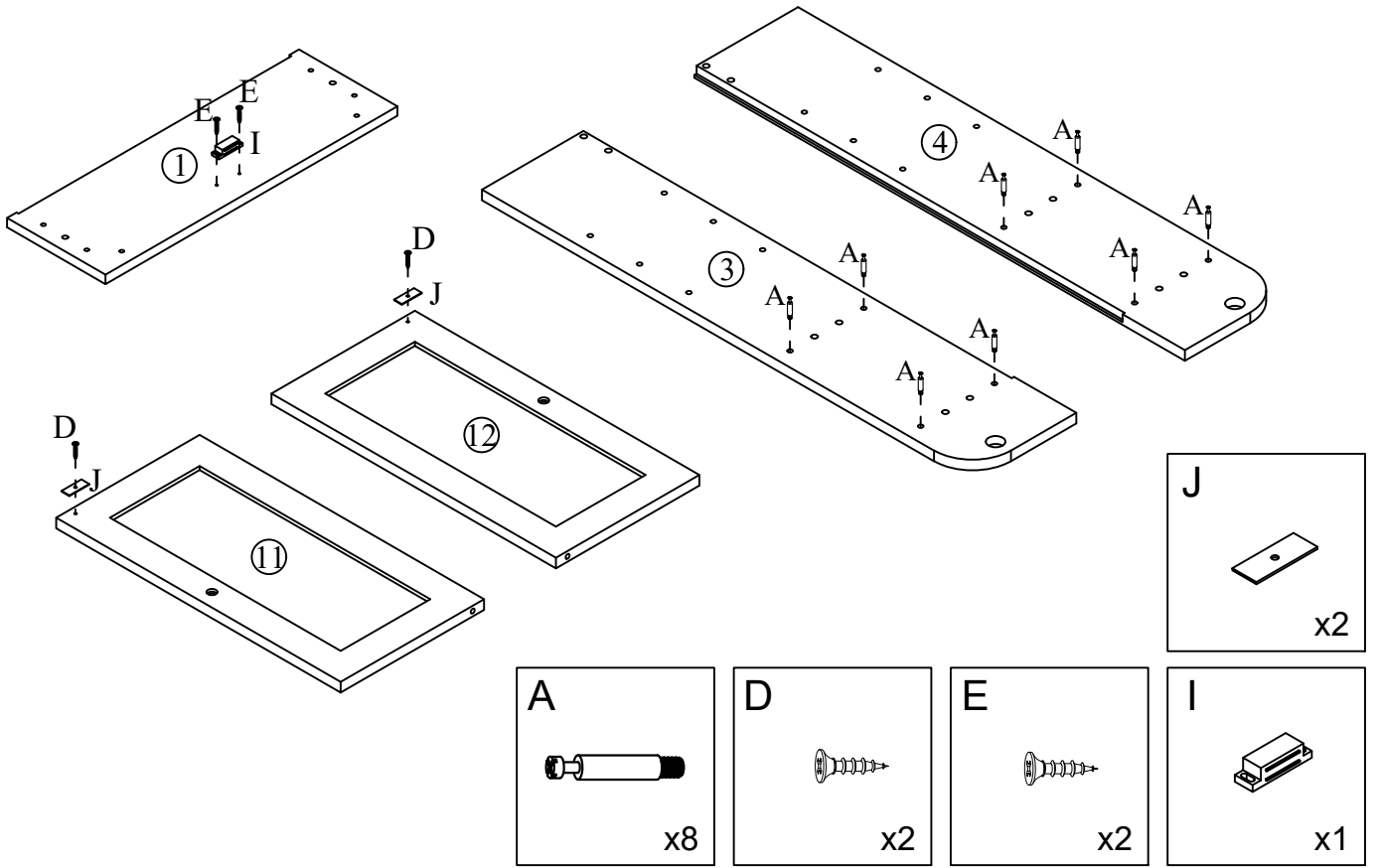


30 MIN

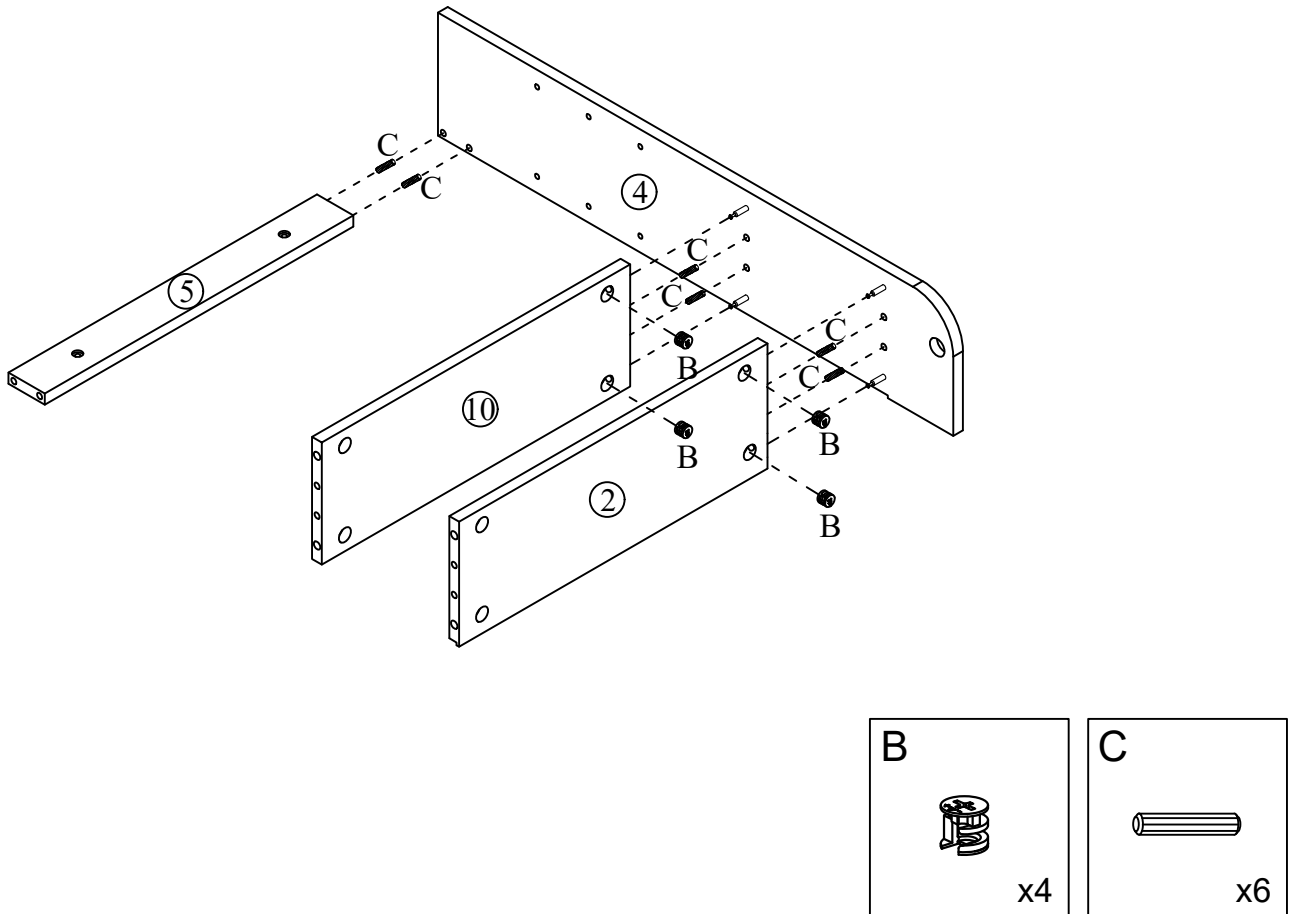


A	x 8	B	x 8	C	x 12	D	x 2		
Φ6X35mm		Φ15X9mm		Φ6X30mm		Φ3X12mm			
E	x 2	F	x 2	G	x 6	H	x 14	I	x 1
Φ3X14mm		Φ4X30mm		Φ4X35mm		Φ3X14mm			
J	x 2	K	x 4	L	x 2	M	x 2	N	x 4

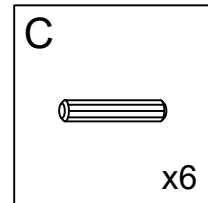
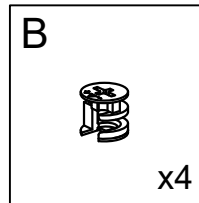
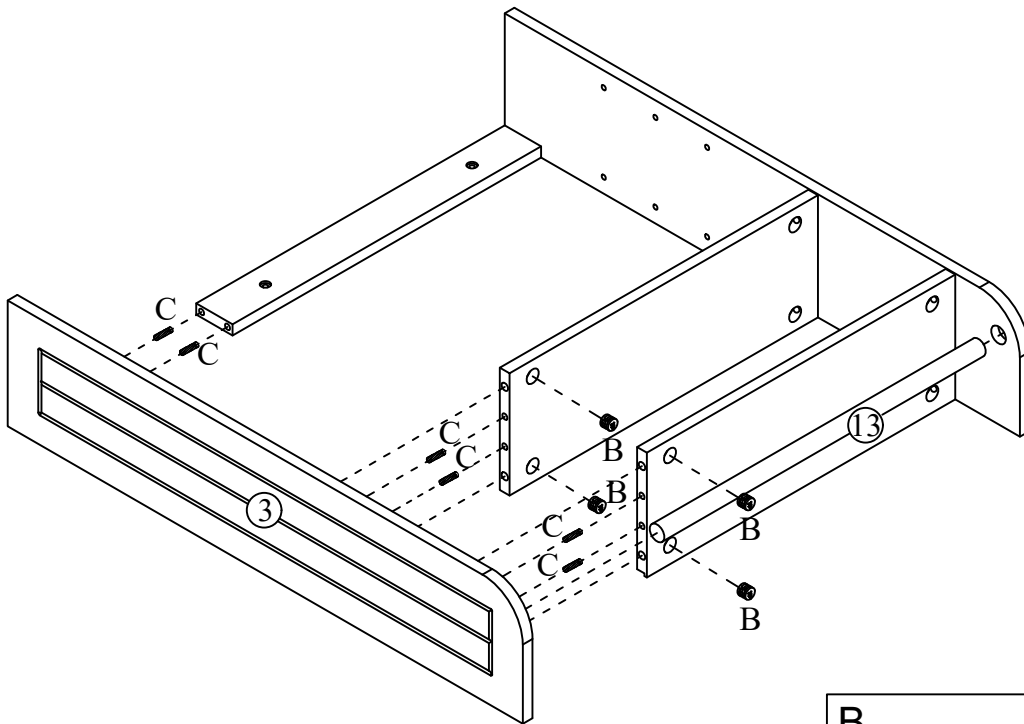
1



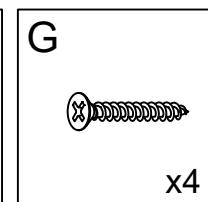
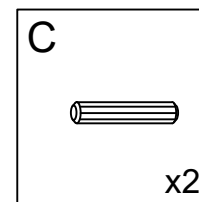
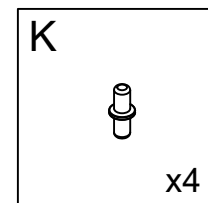
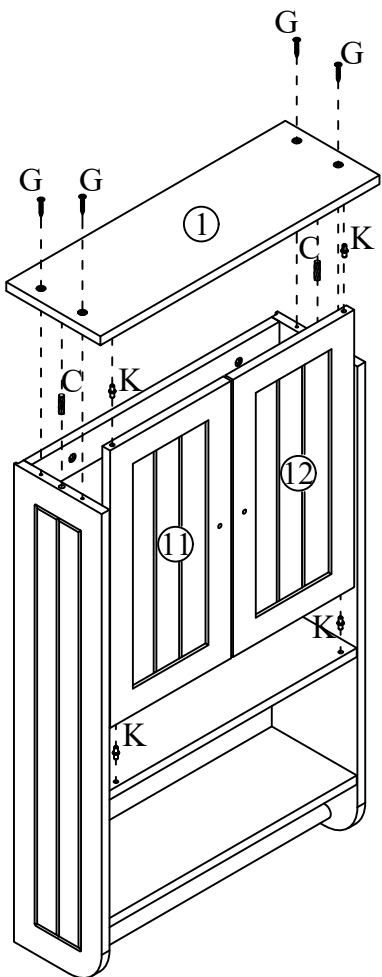
2



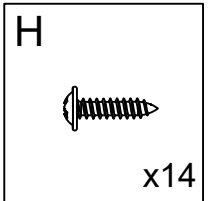
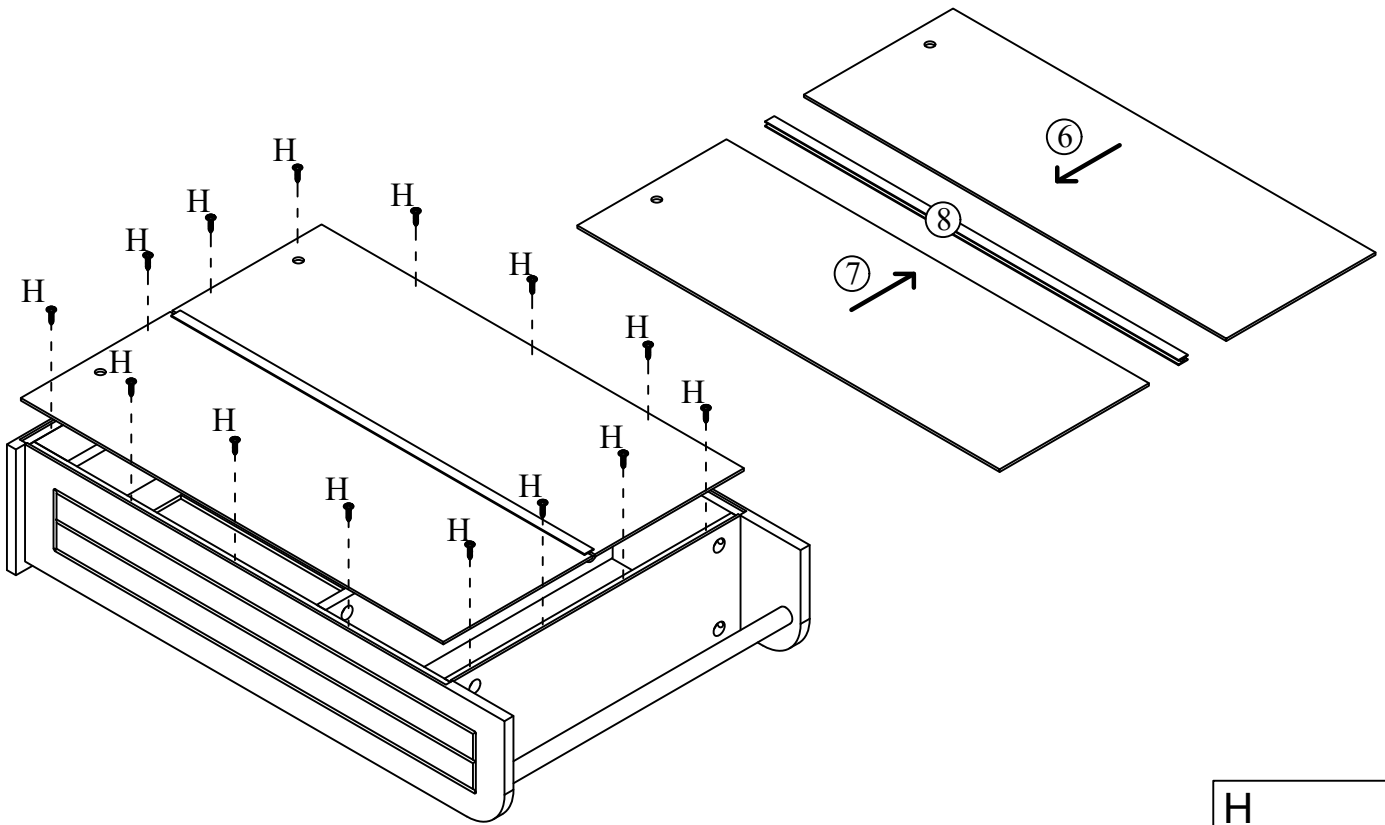
3



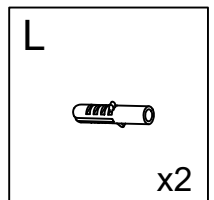
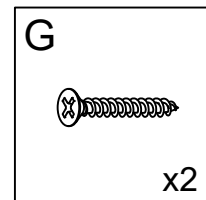
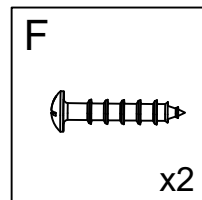
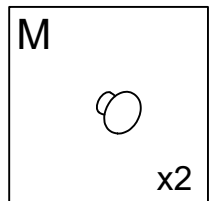
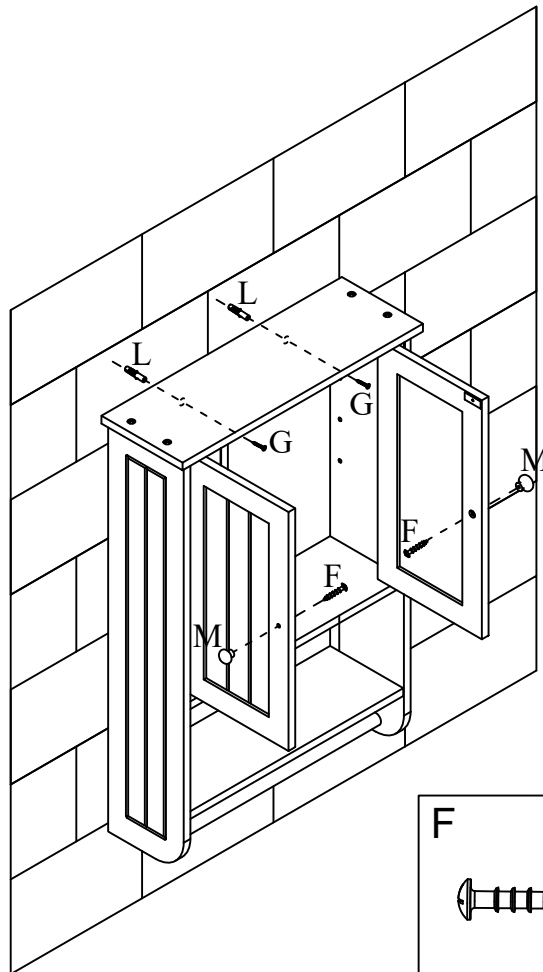
4



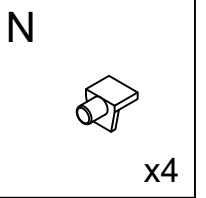
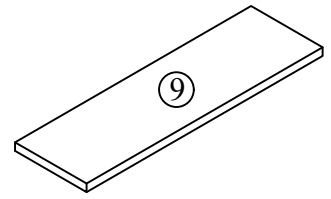
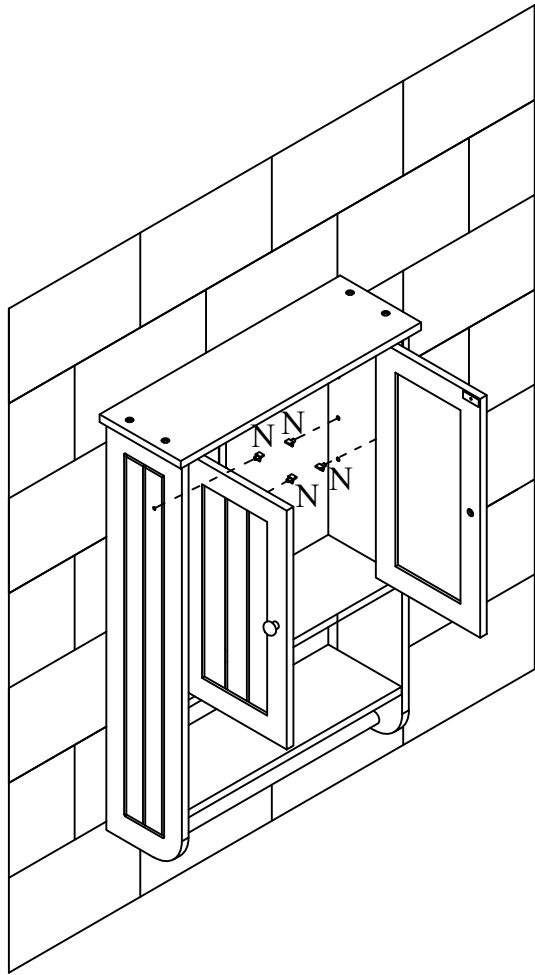
5



6



7



8

