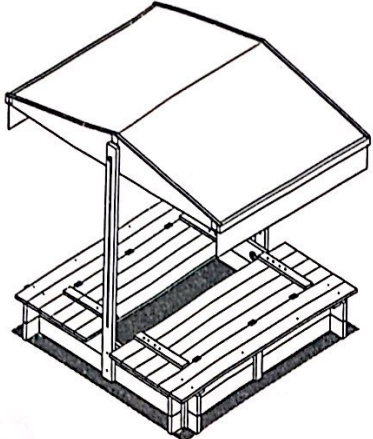


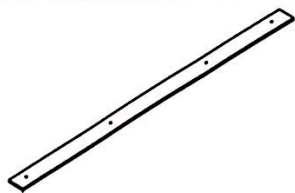
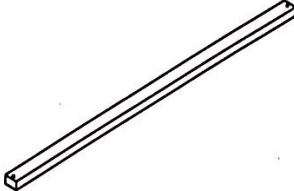
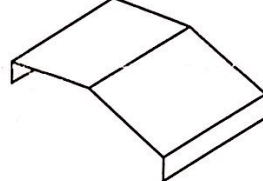
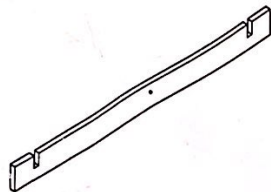

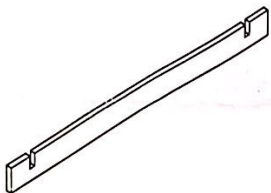
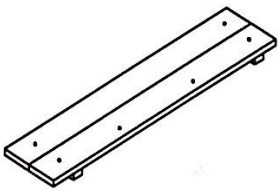
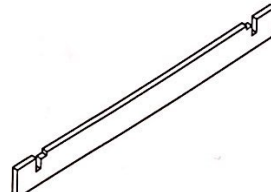
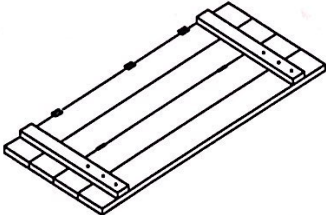

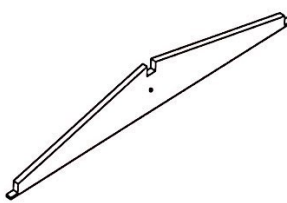
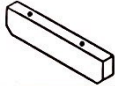


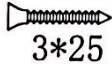




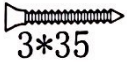



# ASSEMBLY INSTRUCTIONS

Thank you for your purchase. Please follow the instructions below for correct assembly.

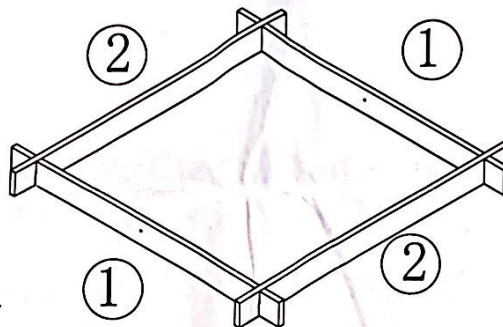
			6		4pcs
			7		4pcs
			8		2pcs
			9		3pcs
			10		1pc
1		4pcs	11		1pc
2		2pcs	12		2pcs
3		2pcs	13		2pcs
4		2pcs			
5		2pcs			

14		4pcs	D		28pcs
15		2pcs	E		8pcs
A		4pcs	F		20pcs
B		8pcs	G		18pcs
C		6pcs	H		2pcs

## Step 1

Attach 2x part② to 2x part① as shown.

Note: Notch of part① is upward, and notch of part② is downward.

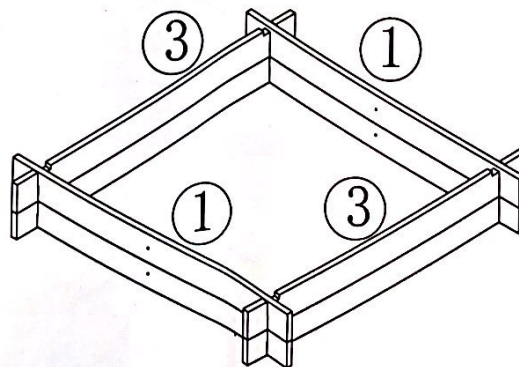


## Step 2

Put part③ above part②, and connect another 2x part① with part③ as pictured.

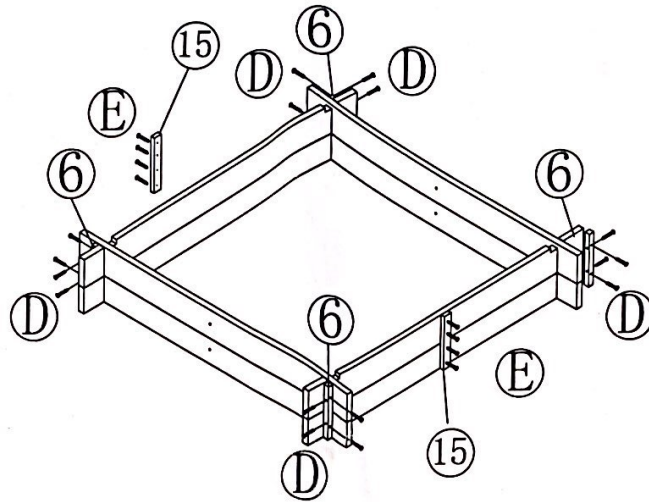
Note: (1) Notch of part③ is upward, and notch of part① is downward here.

(2) Middle holes are on the opposite, as pictured.



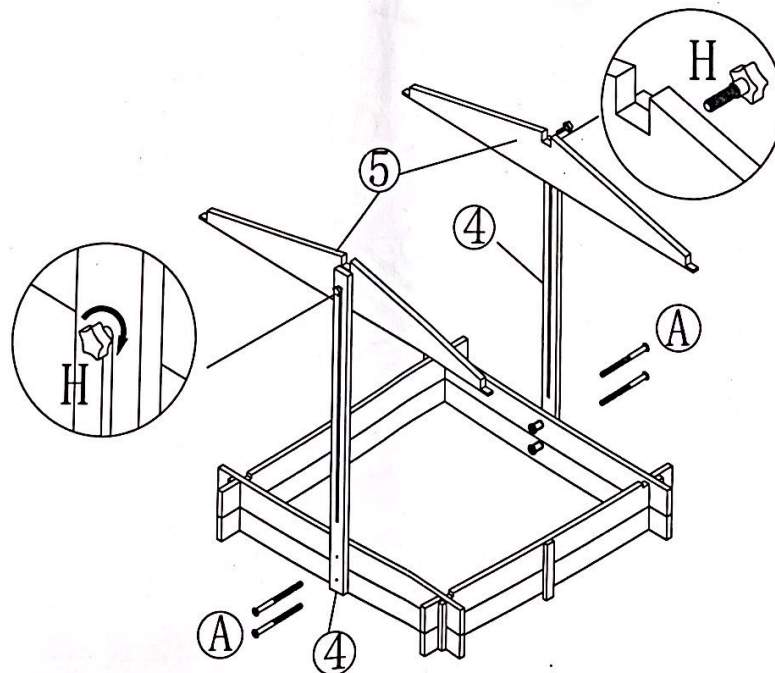
### Step 3

- (1) Attach 1x part⑥ to each corner, secure with 4x screw (D). Repeat for the rest three corners.
- (2) Attach 1x part⑮ to the middle of part② and ③, secure each side using 4x screw (E), total 8x screw(E).



### Step 4

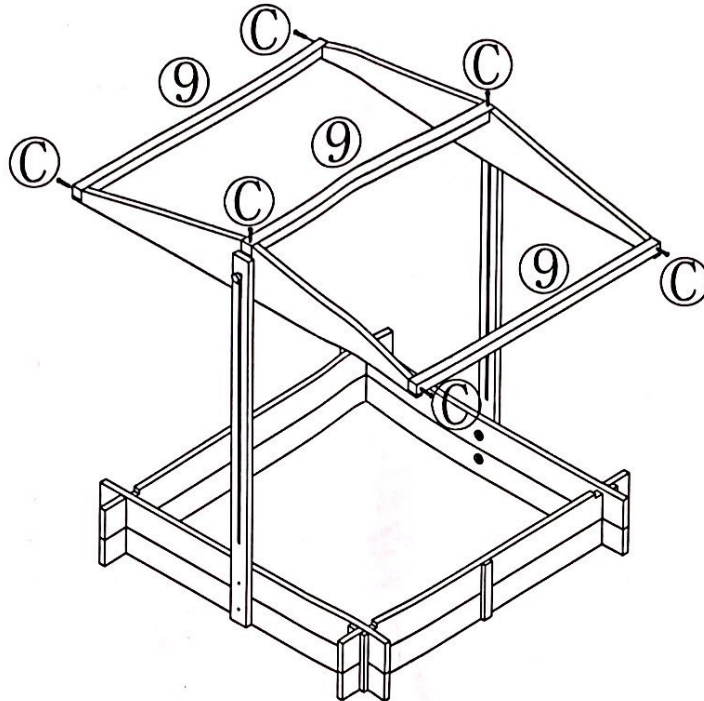
- (1) Attach part④ to part① (the side with hole in the middle), secure each side with 2x bolts&nuts (A), total 4x (A).
- (2) Attach part⑤ to part④, fix it with a rotating knob part(H) on each side.





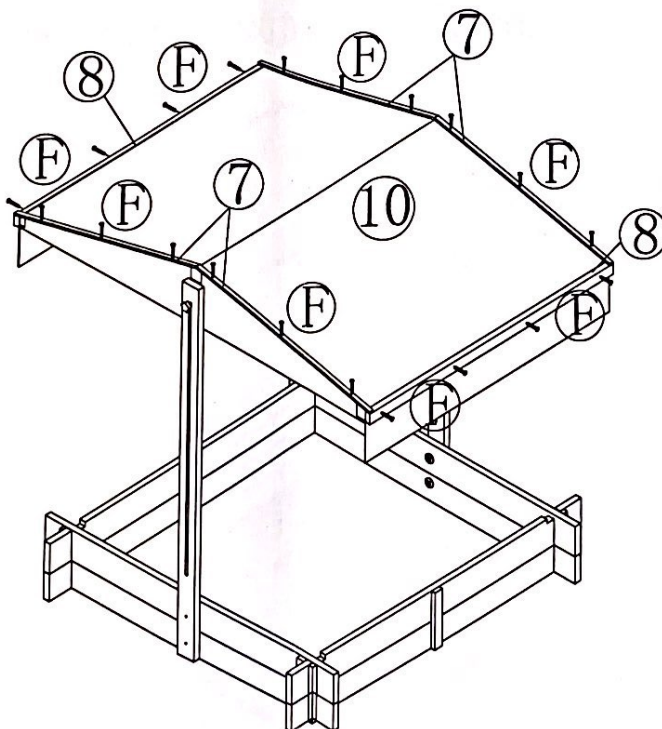
## Step 5

- Secure 3x part⑨, each using 2x screw(C), total 6x screw(C) here.



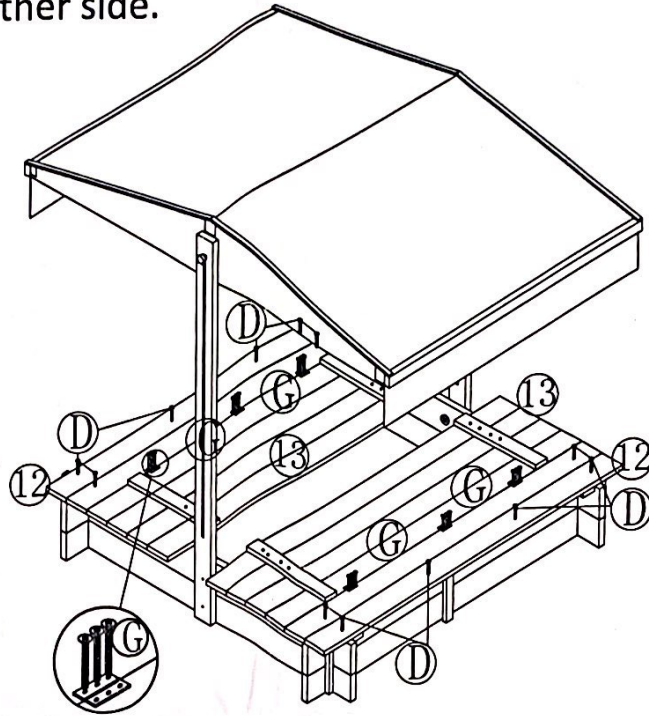
## Step 6

- Attach canopy part⑩ to the top, secure 4x part⑦ above canopy, and secure part⑧ on the left and right side, by using total 20x screw (F) here.



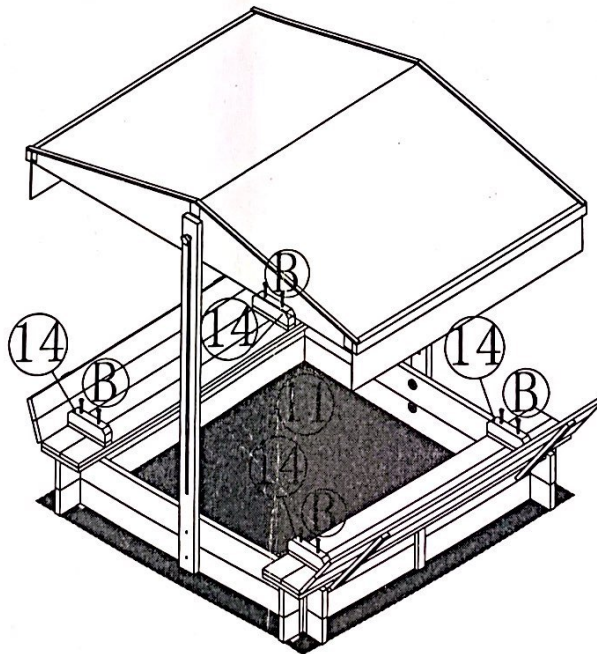
## Step 7

- (1) Attach 1x part⑫ to the bottom, secure with 6x screw (D) as pictured.
- (2) Place 1x part⑬ next to part⑫, secure each hinge with 3x screw (G), total 9x screw (G).
- (3) Repeat for the other side.



## Step 8

- (1) Open part⑬, and attach 2x part⑭ to each seat, secure each part⑭ with 2x screw (B). Repeat for the other seat.
- (2) Place the ground sheet part⑪ underneath.



# RETURN / DAMAGE CLAIM INSTRUCTIONS

1. **DO NOT** discard of the box / original packaging.

In case a return is required, the item must be returned in original box. Without this your return will not be accepted.

2. Take a photo of the box markings.

A photo of the markings (text) on the box is required in case a part is needed for replacement. This helps our staff identify your product number to ensure you receive the correct parts.

3. Take a photo / Video of Damage (if applicable).

A photo / Video of the damage is always required to file a claim and get your replacement or refund processed quickly. Please make sure you have the box even if it is damaged.

4. Send us an email with the images requested.

Email us directly with the attached images, order number (SOXXXX) and a description of your claim.

Auckland / Waikato / BOP Branch: [sales@tsbliving.co.nz](mailto:sales@tsbliving.co.nz)  
Christchurch Branch: [customersupport@tsbliving.co.nz](mailto:customersupport@tsbliving.co.nz)  
Wellington Branch: [wellington@tsbliving.co.nz](mailto:wellington@tsbliving.co.nz)

[www.tsbliving.co.nz](http://www.tsbliving.co.nz)