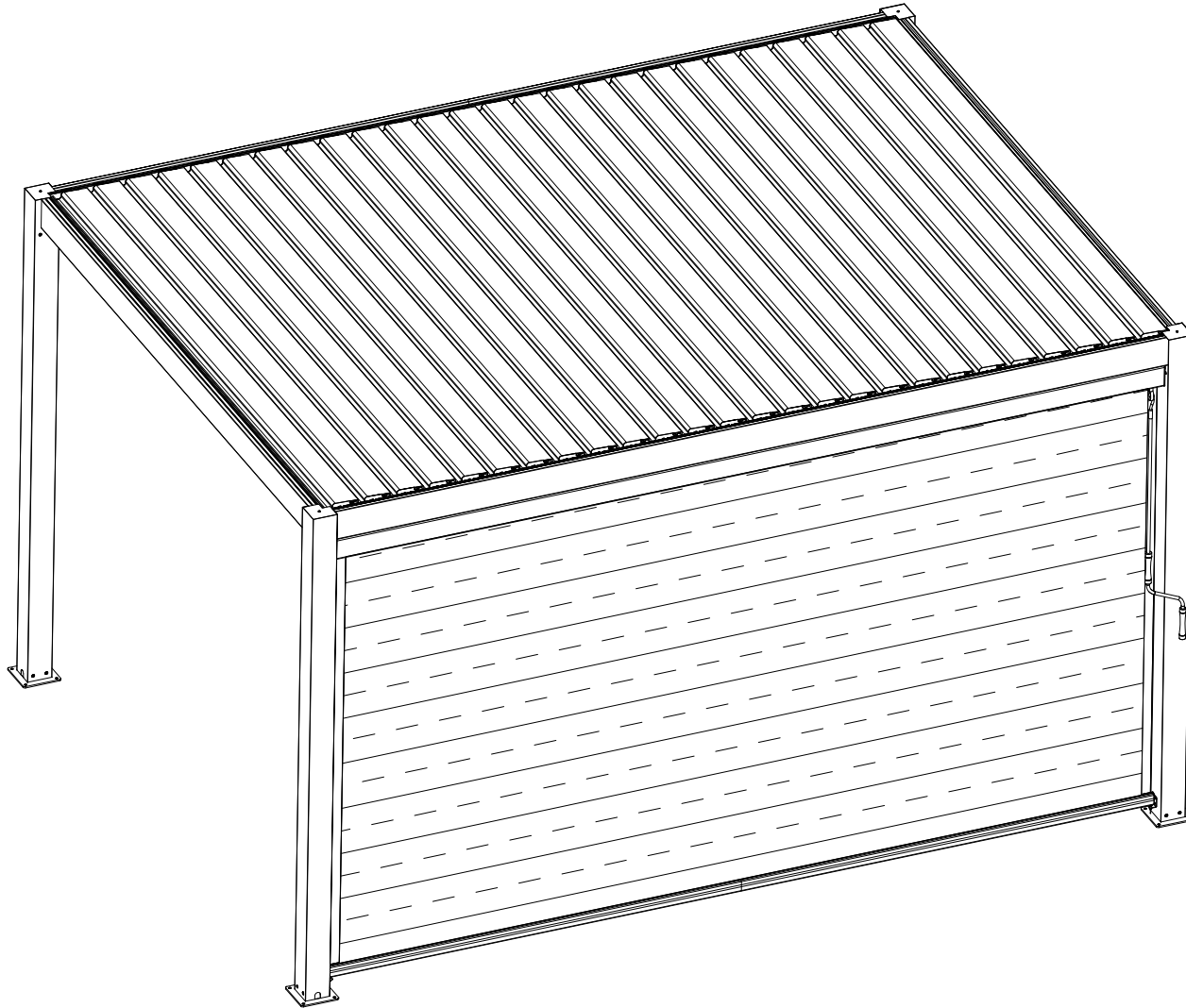
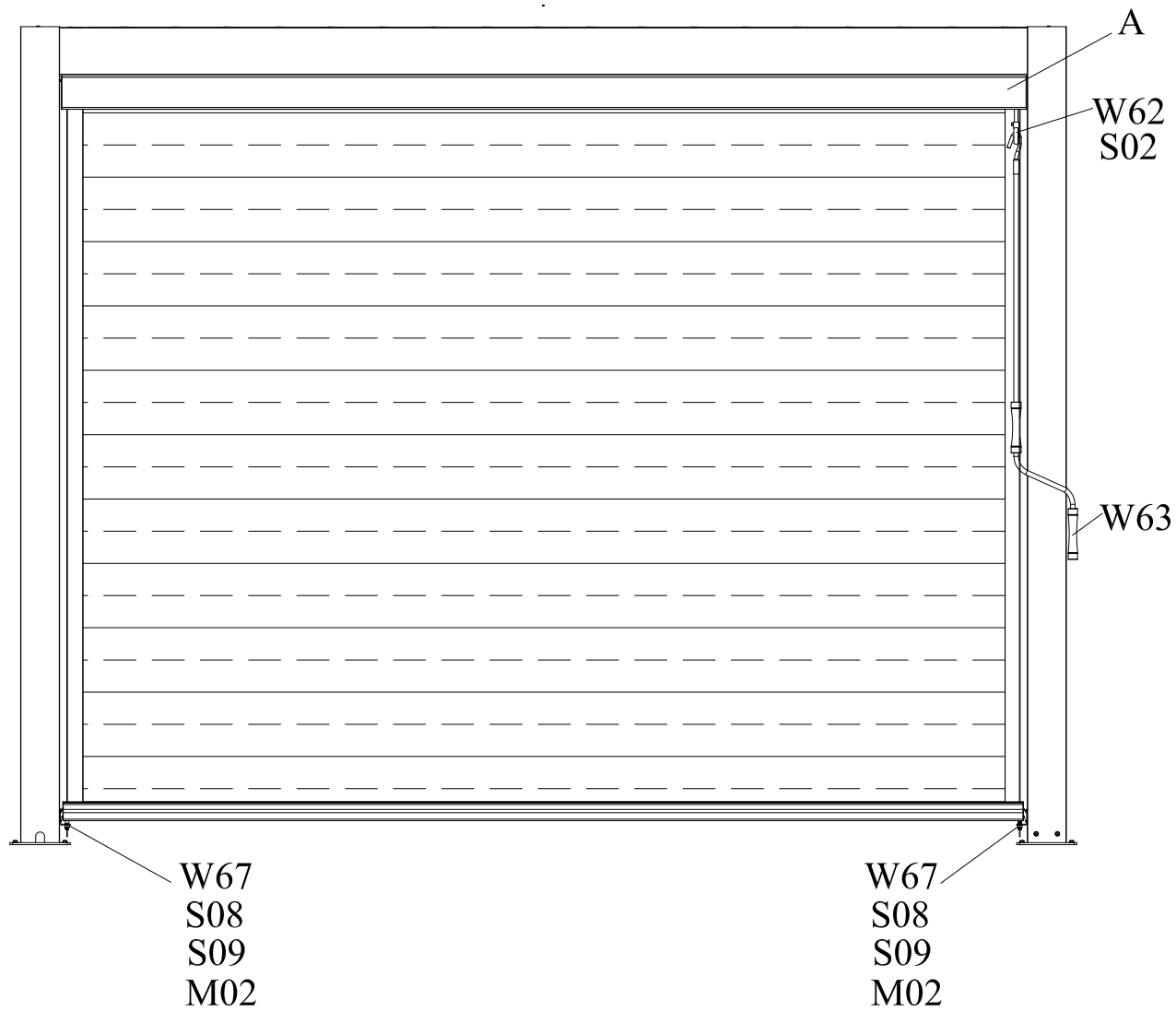


Manual Instruction for Side Screen




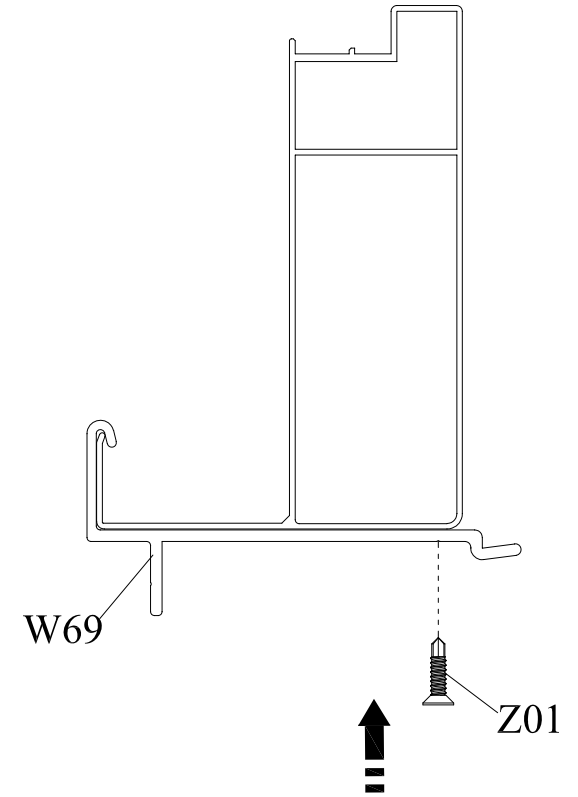
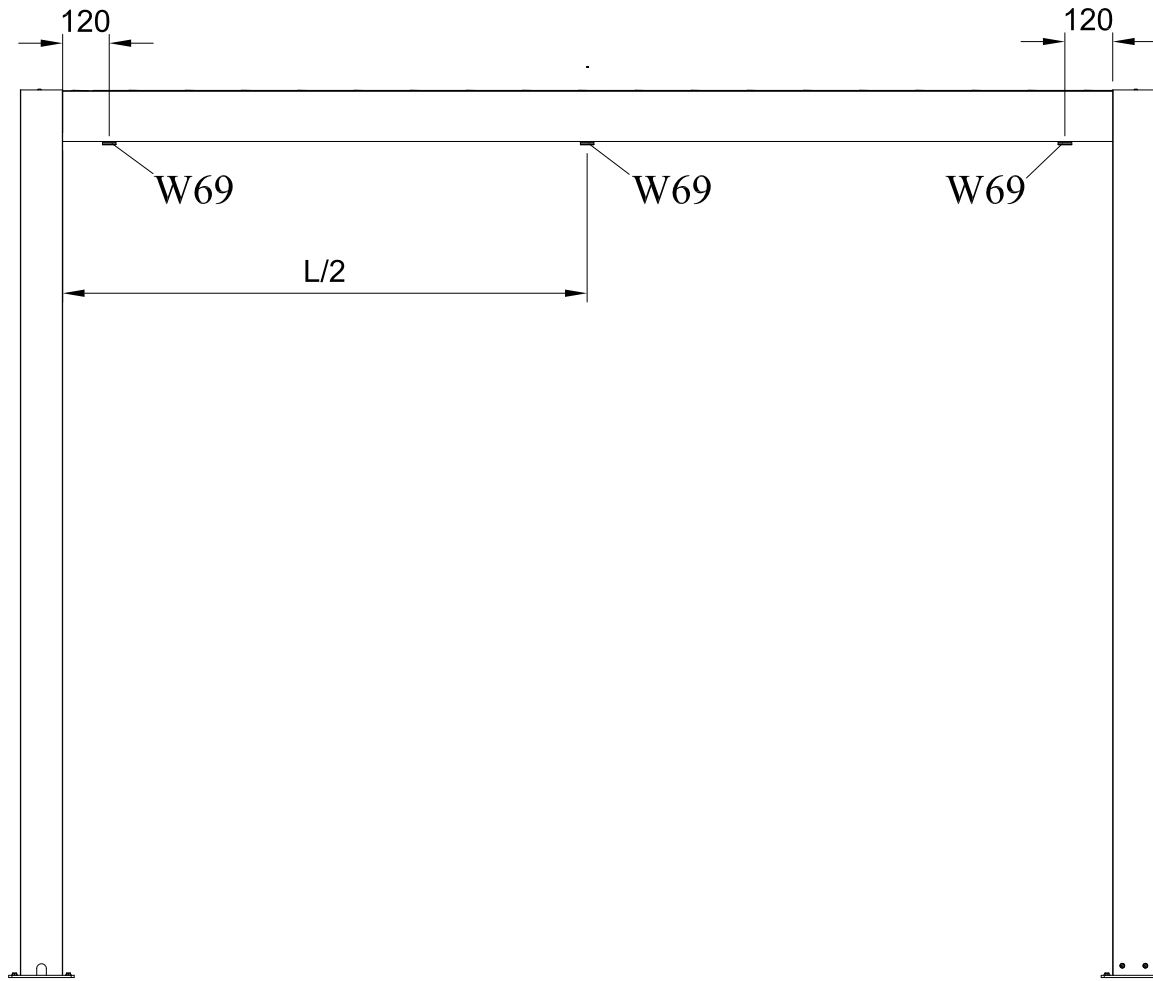
HX-GSAM40



Product Size(WxH): 374x216cm

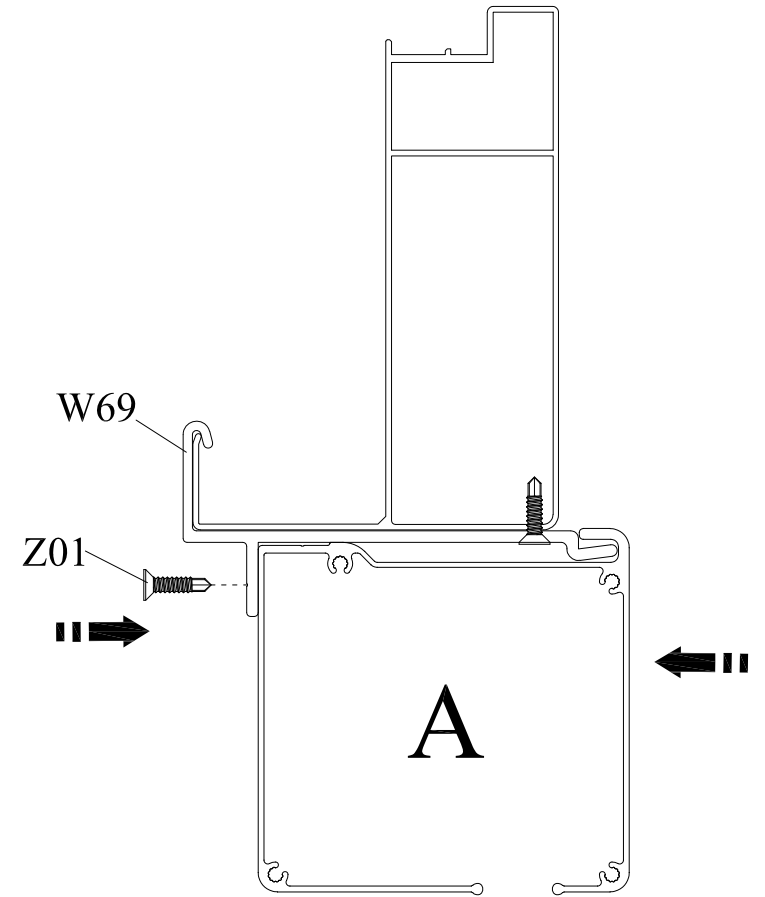




Componentry

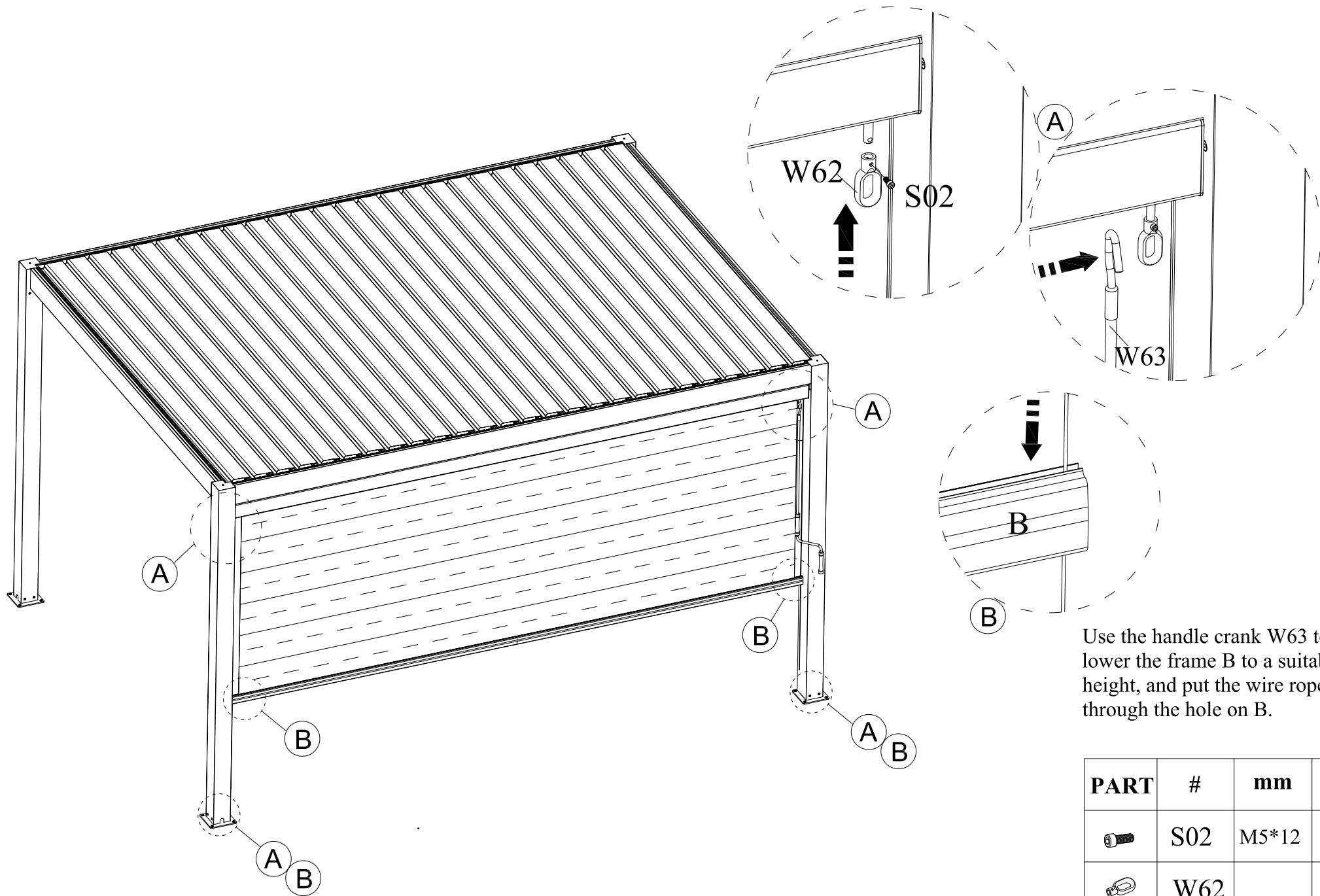
PART	#	mm	Qty.
	A (B)	3742	1
	S02	M5*12	1
	S08	Ø12*25	2
	S09	M4*8	2
	M02	M8	2
	Z01	Ø4.2*22	12
	W62		1
	W63	1000	1
	W68		2
	W69	96*35	3






PART	#	mm	Qty.
	Z01	Ø4.2*22	3
	W69	96*35	3

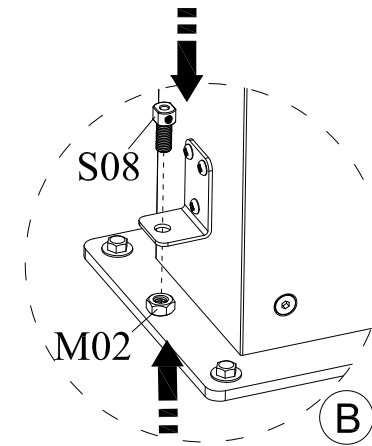
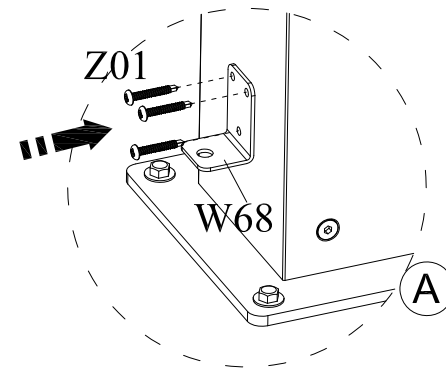
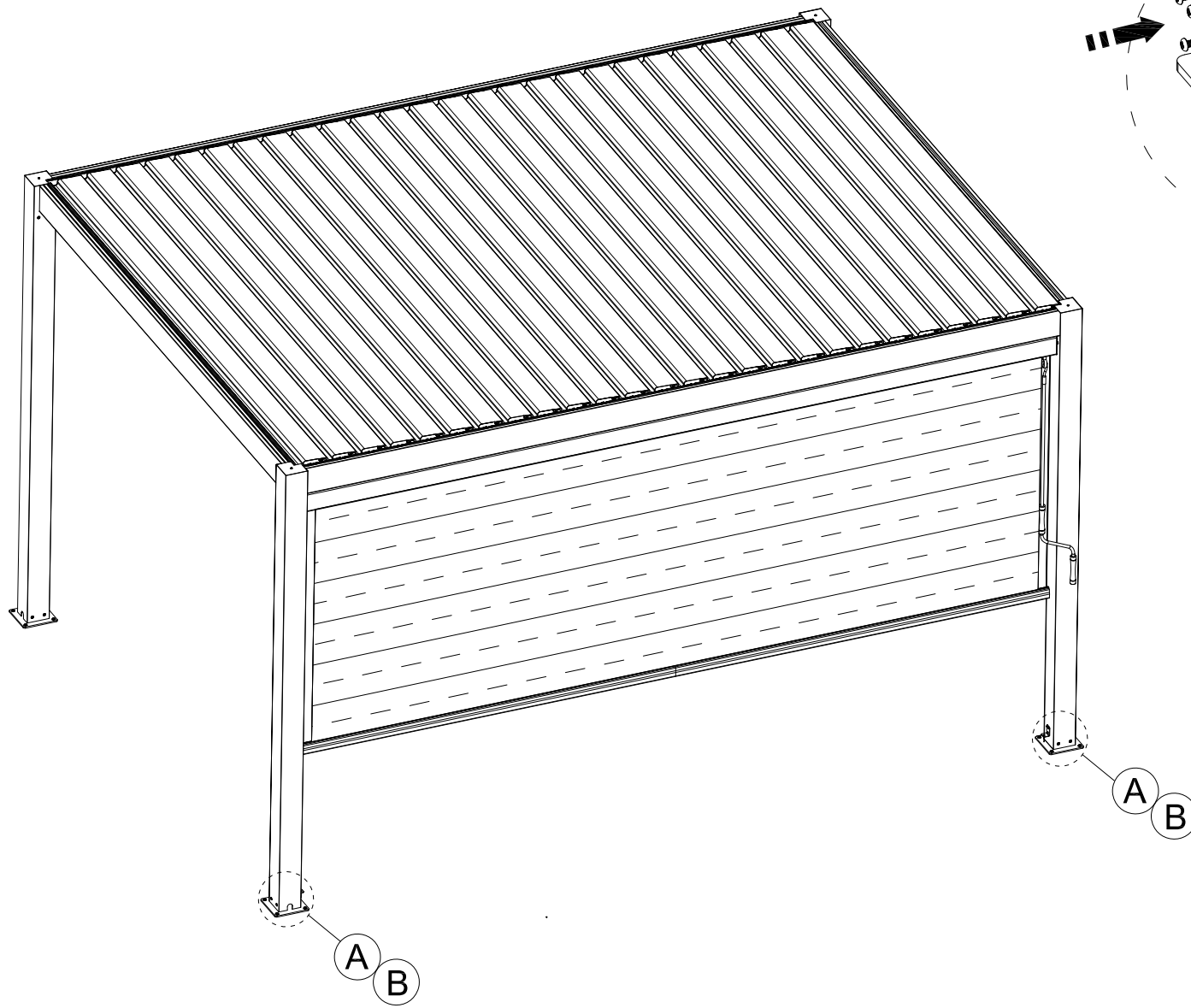






PART	#	mm	Qty.
	A	3742	1
	Z01	Ø4.2*22	3

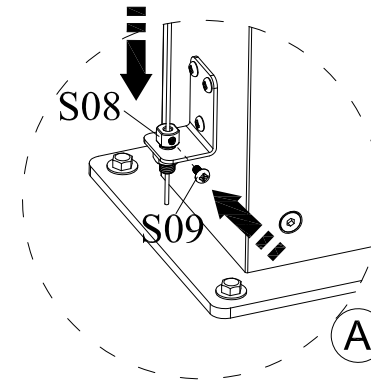
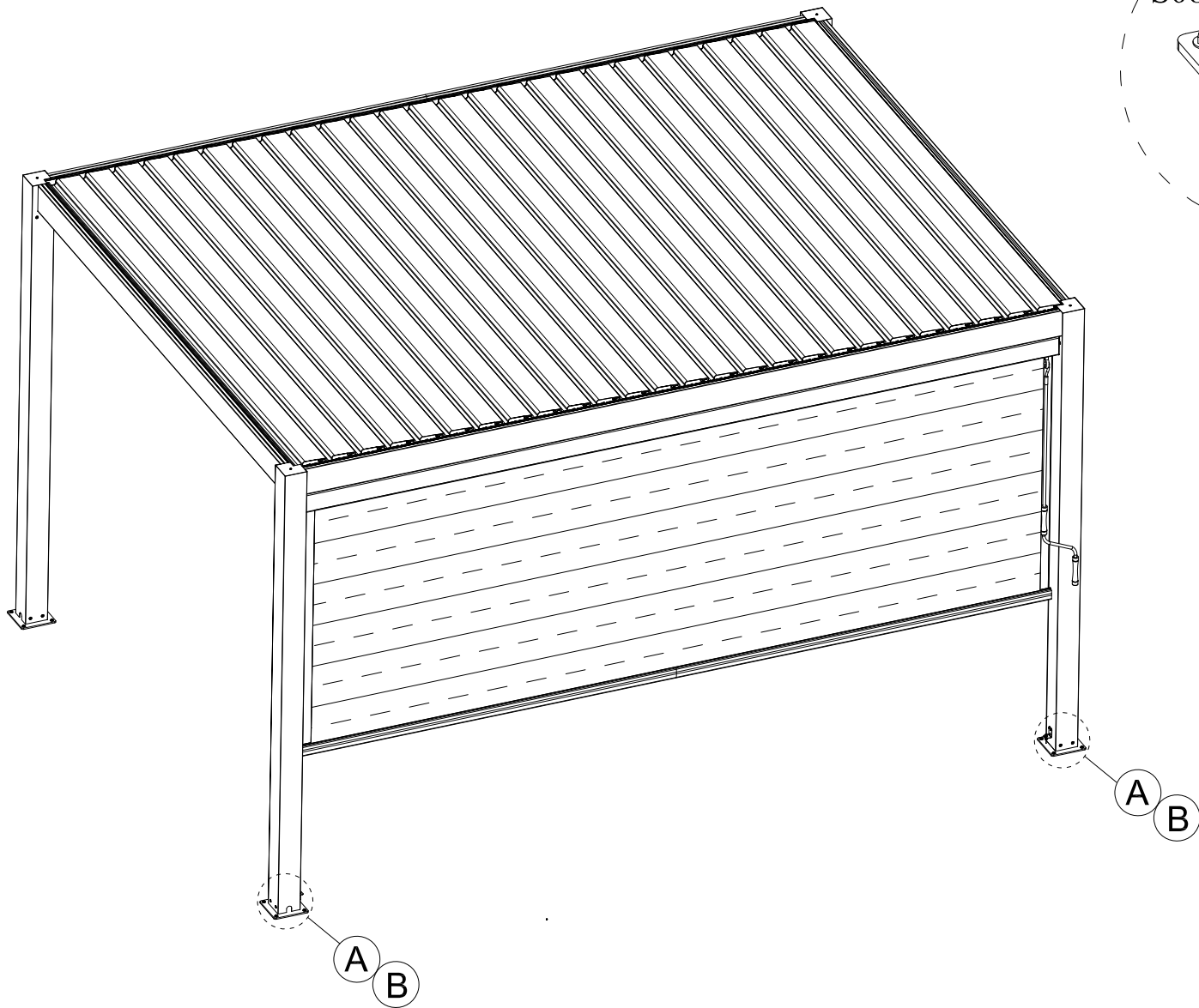


Use the handle crank W63 to lower the frame B to a suitable height, and put the wire rope through the hole on B.

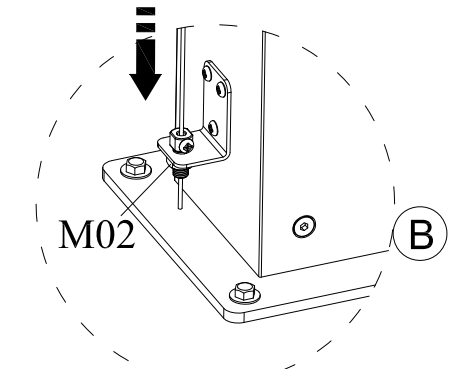
PART	#	mm	Qty.
	S02	M5*12	1
	W62		1
	W63	1000	1




PART	#	mm	Qty.
	S08	Ø12*25	2
	M02	M8	2
	Z01	Ø4.2*22	6
	W68		2



Pass wire rope through hole of S08, tighten and fix it with S09 bolt.



Screw up the M02 and tighten the wire rope.

PART	#	mm	Qty.
	S09	M4*8	2