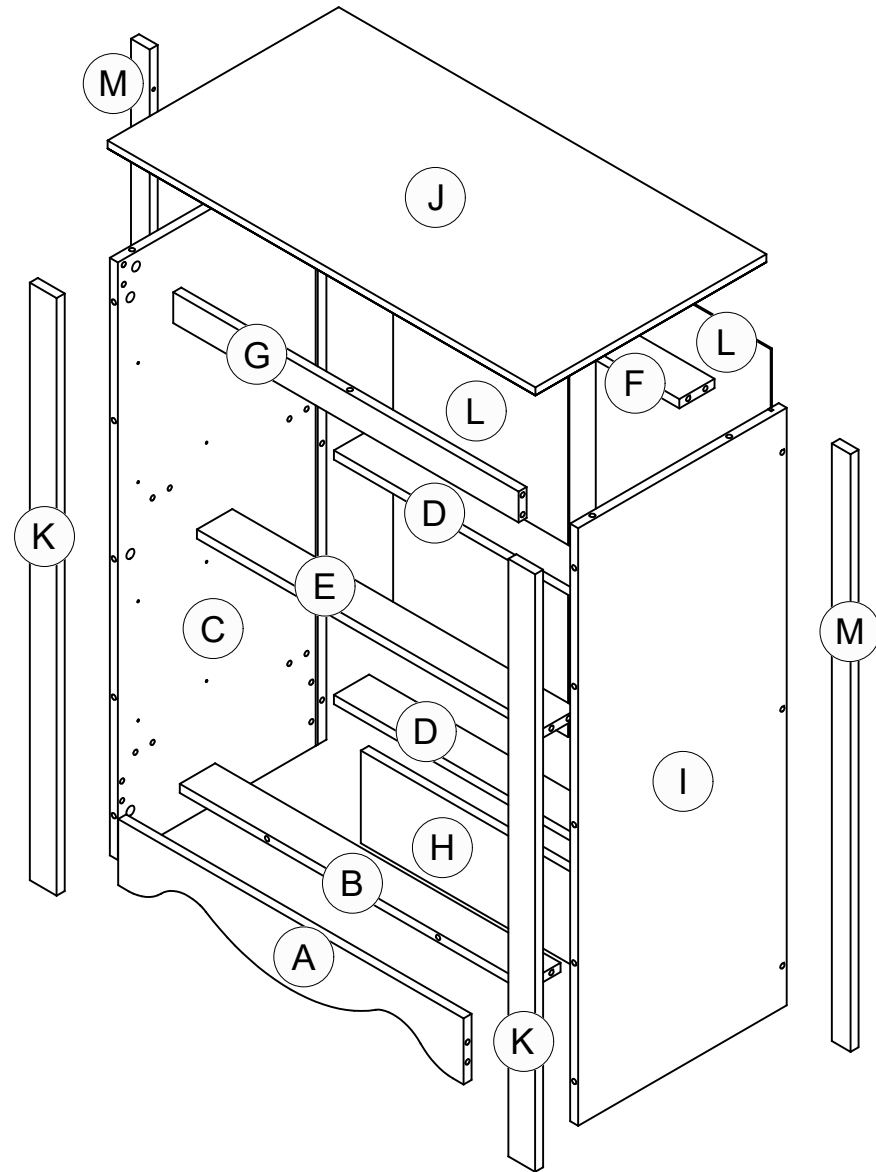
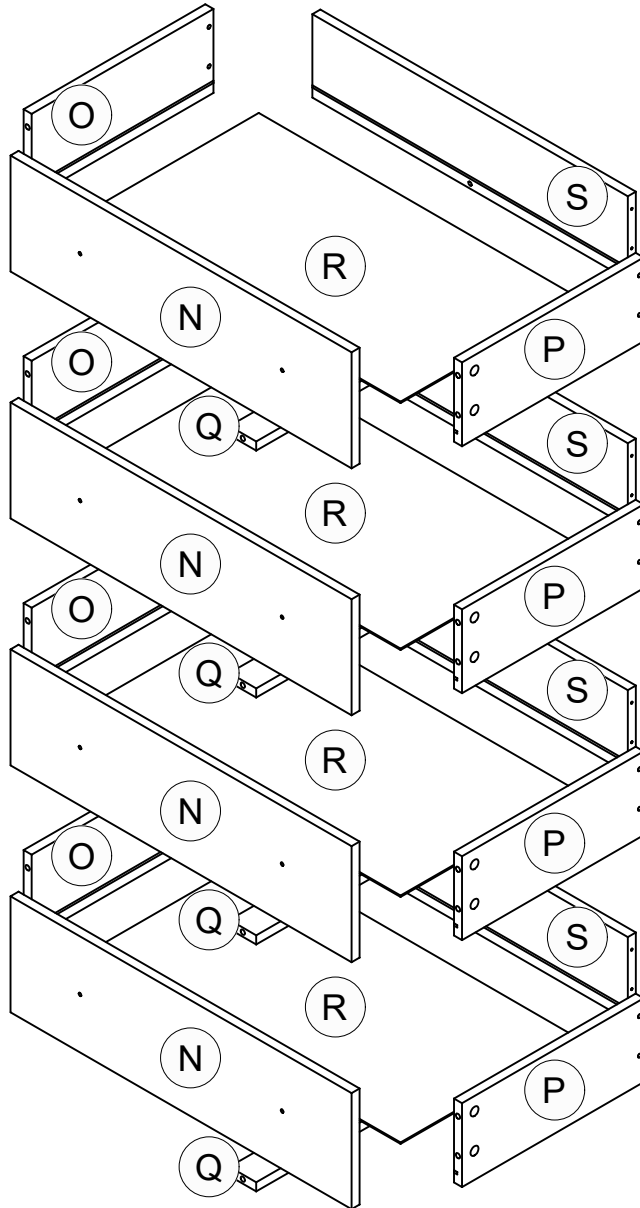


## PART LIST

CODE	QTY
A	1
B	1
C	1
D	2
E	1
F	1
G	1
H	1
I	1
J	1
K	2
L	2
M	2
N	4
O	4
P	4
Q	4
R	4
S	4





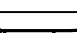
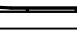

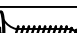
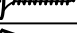









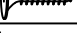


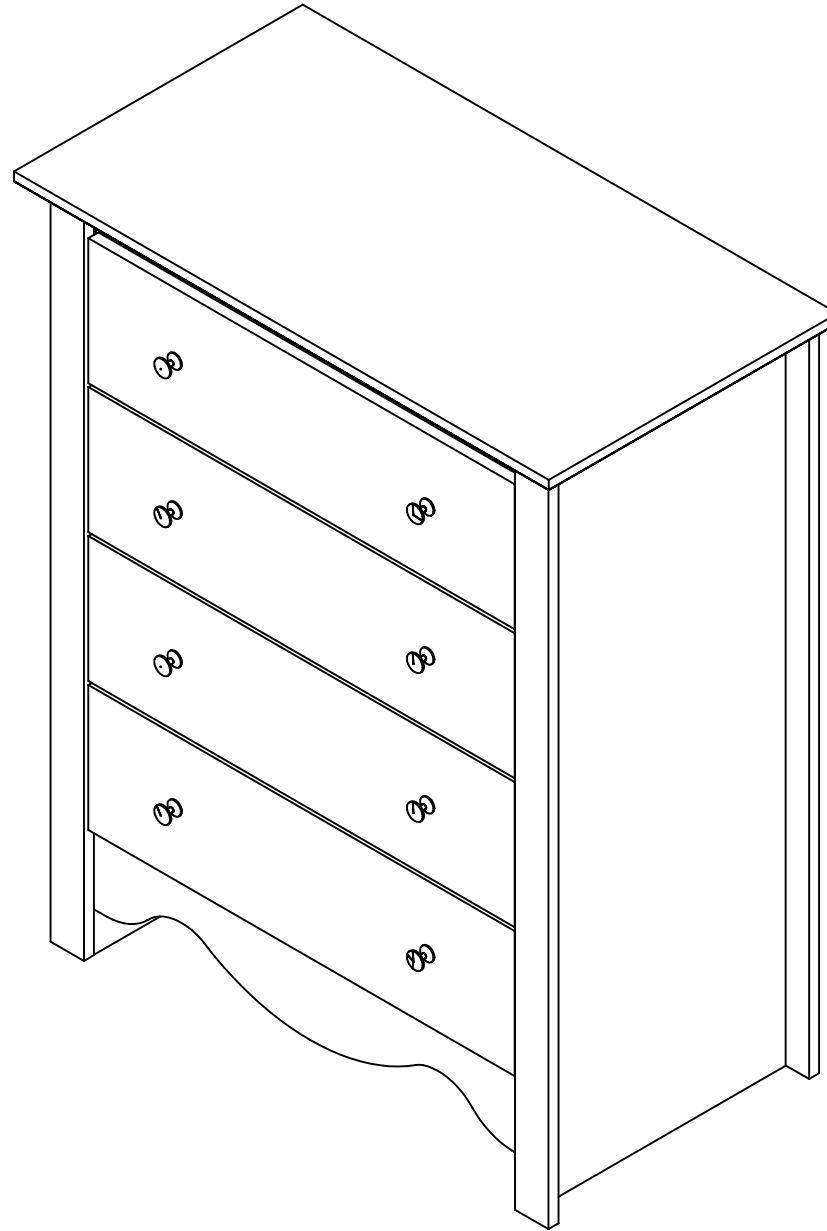
## ASSEMBLY INSTRUCTIONS

DO NOT FULLY TIGHTEN ANY BOLTS BEFORE ALL PARTS ARE LOOSELY ASSEMBLED. THE PRODUCT/FITTINGS MAY BE DAMAGED IF OVERTIGHTENED. BEWARE OF CROSS THREADING SCREWS AND BOLTS DURINGS ASSEMBLY. SMALL COMPONENT PARTS COULD CHOKE A CHILD IF SWALLOWED. WE STRONGLY RECOMMEND THAT YOU KEEP CHILDREN AWAY FROM THE WORK AREA.

# WALDEN 4 DRAWERS CHEST

# HARDWARE LIST

1		Wood Dowel $\phi 8 \times 30 \text{mm}$	27 pcs
2		Minifix Bolt	42 pcs
3		Minifix Cam	42 pcs
4		Drawer Slide 14"	4 sets
5		Drawer Slide 14"	4 sets
6		Screw $\phi 3.5 \times 12 \text{mm}$	32 pcs
7		Screw $\phi 4 \times 30 \text{mm}$	2 pcs
8		PVH - 784mm	1 pc
9		Nail	12 pcs
10		PVC Nail With Pin	4 pcs
11		Screw $\phi 6 \times 45 \text{mm}$	6 pcs
12		Allen Key M4	1 pc
13		192 Stub	4 pcs
14		Screw $\phi 3.5 \times 25 \text{mm}$	4 pcs
15		Screw $\phi 4 \times 38 \text{mm}$	20 pcs
16		Screw $\phi 3.5 \times 16 \text{mm}$	24 pcs
17		Wooden Handle	8 pcs
18		Handle Screw $\phi 4 \times 25 \text{mm}$	8 pcs
19		Minifix Cover Cap	16 pcs



## Important Note :

Please choose the correct screw hole before fitting the drawer runner.



## Minifix Setup :



STEP 1  
UNLOCK

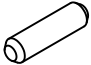



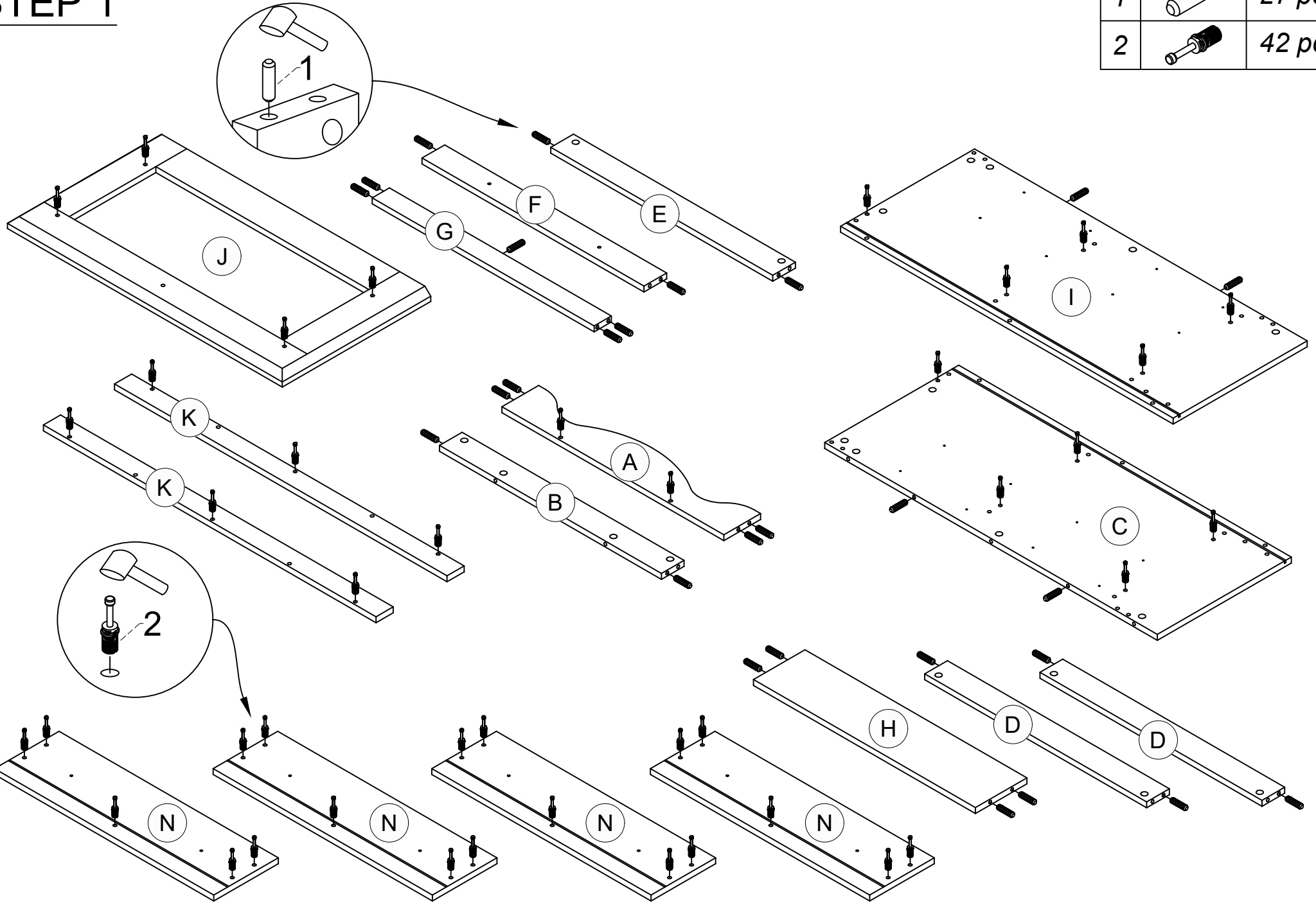
STEP 2





STEP 3  
LOCK

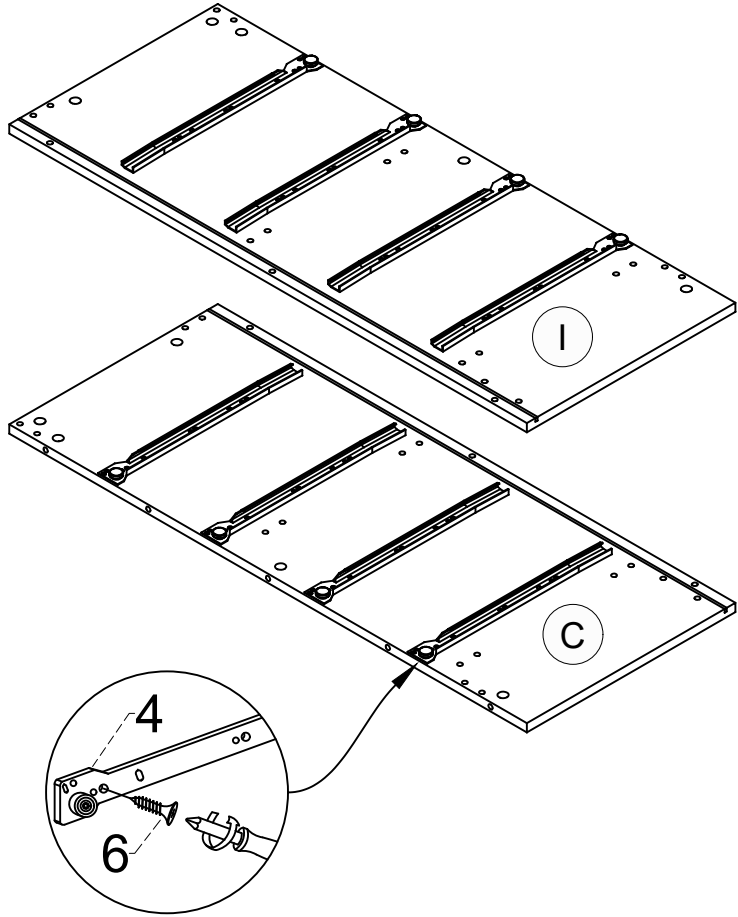
# STEP 1

1		27 pcs
2		42 pcs



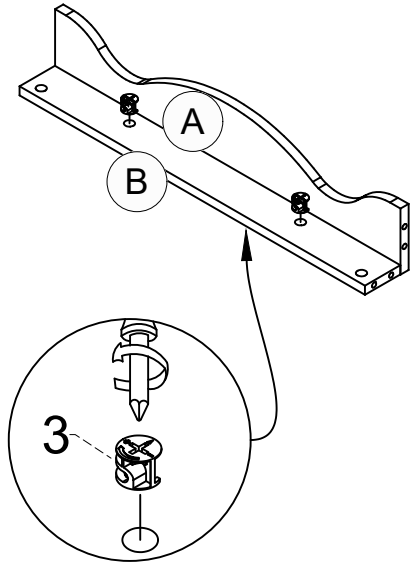
# STEP 2

4		4 sets
6		32 pcs




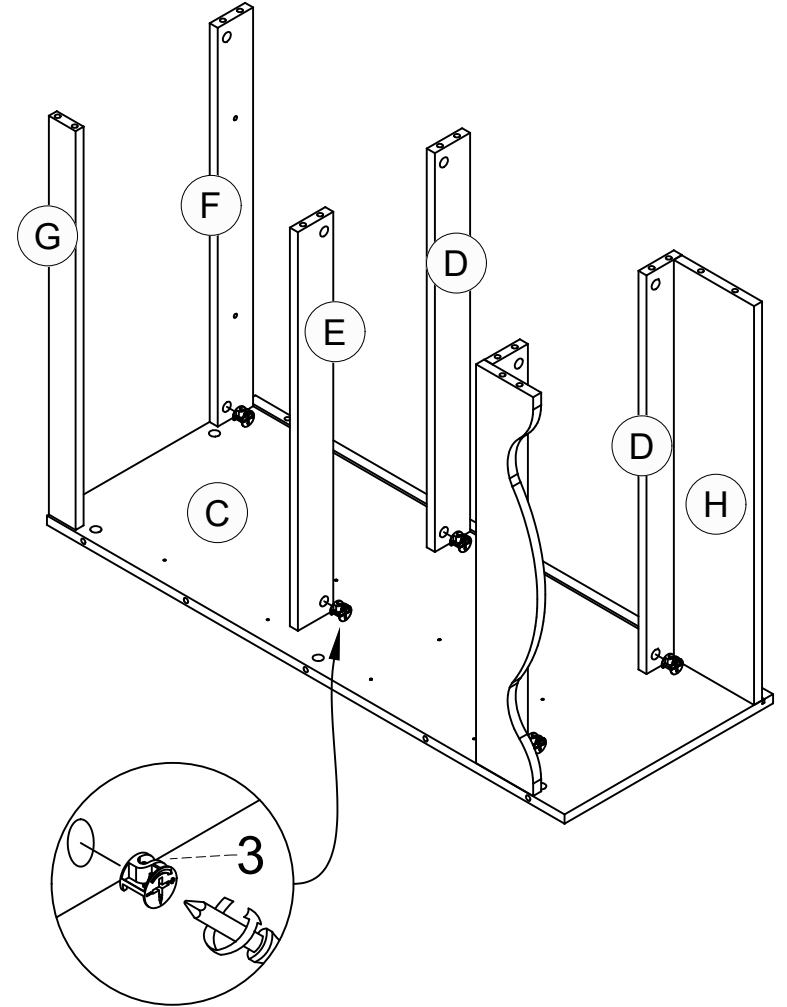
# STEP 3

3		2 pcs
---	---	-------



# STEP 4

3		5 pcs
---	--	-------



# STEP 5

3



5 pcs

# STEP 6

3

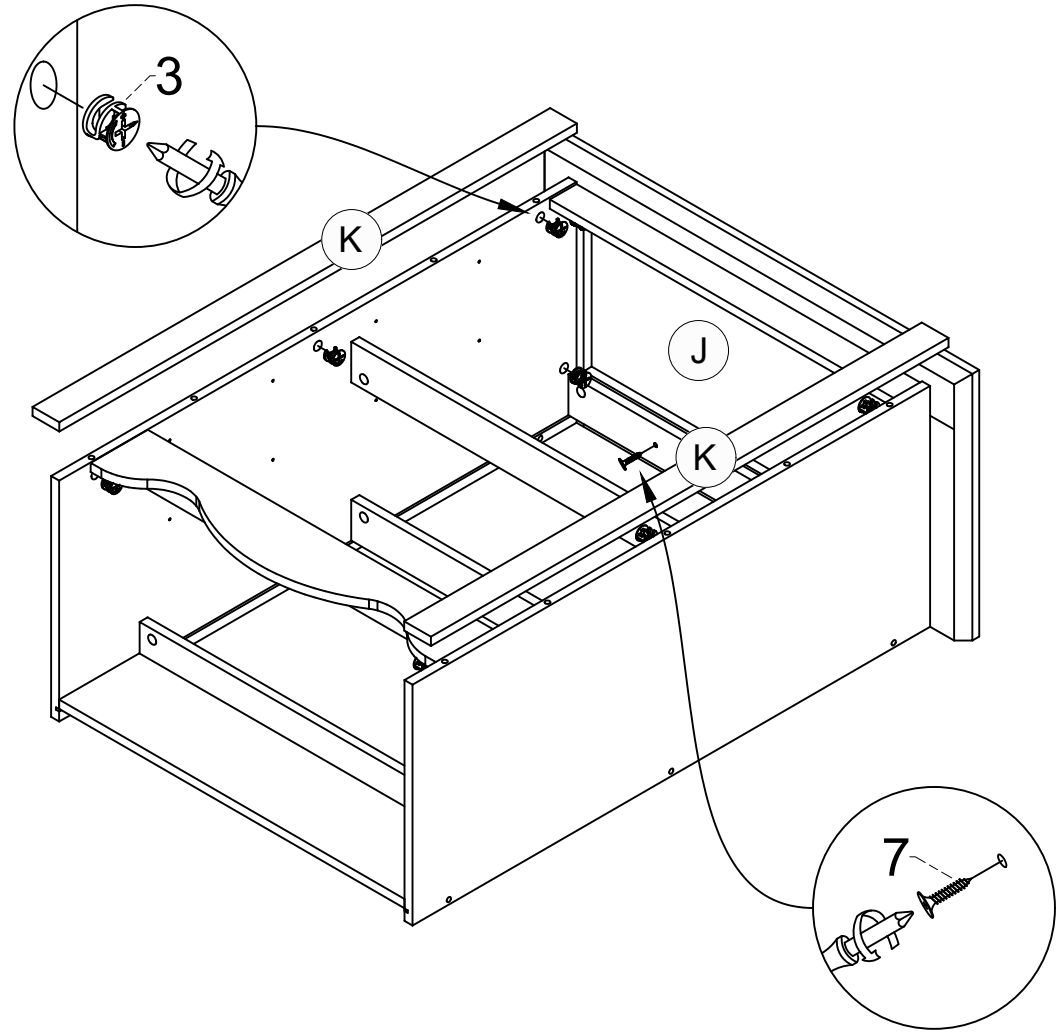
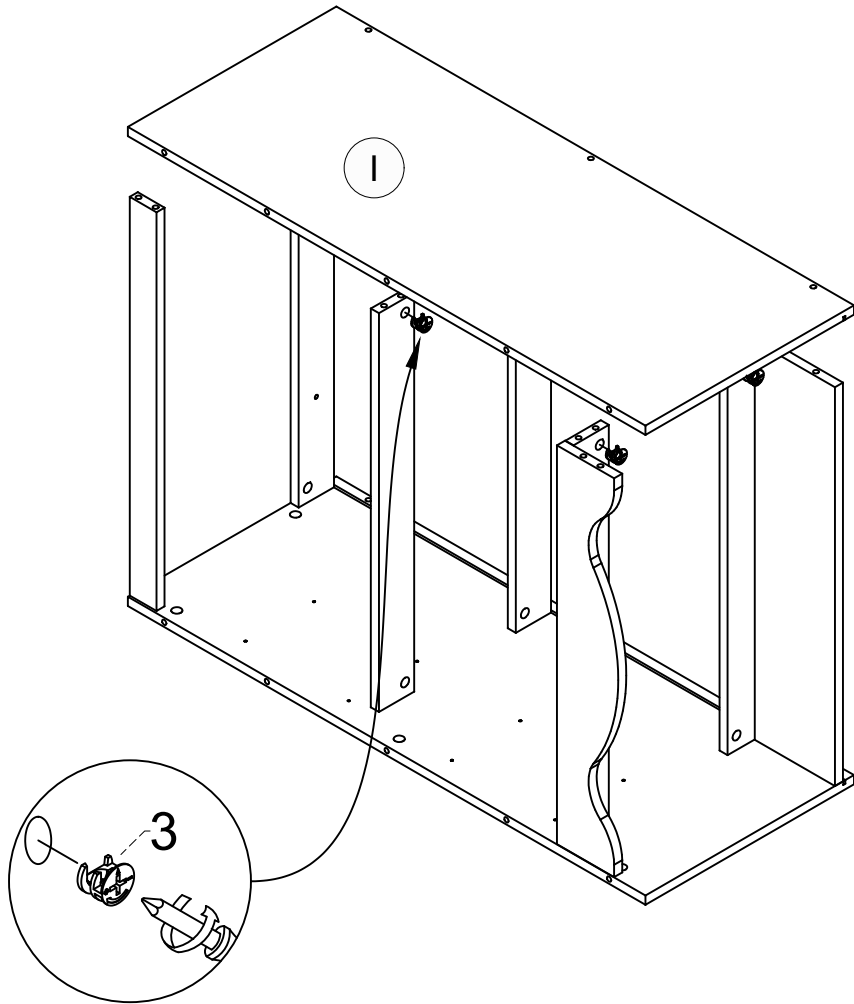


10 pcs


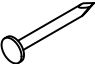

7

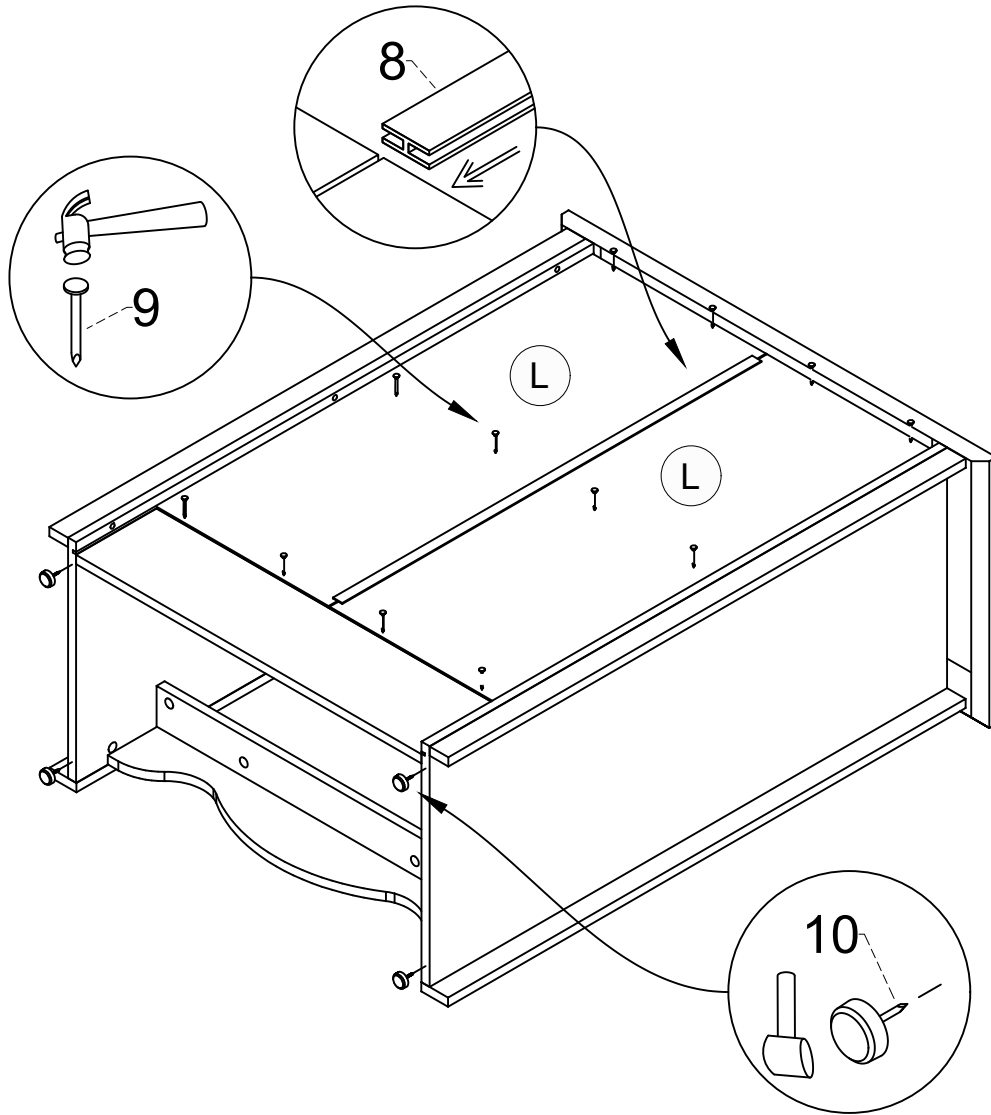


2 pcs







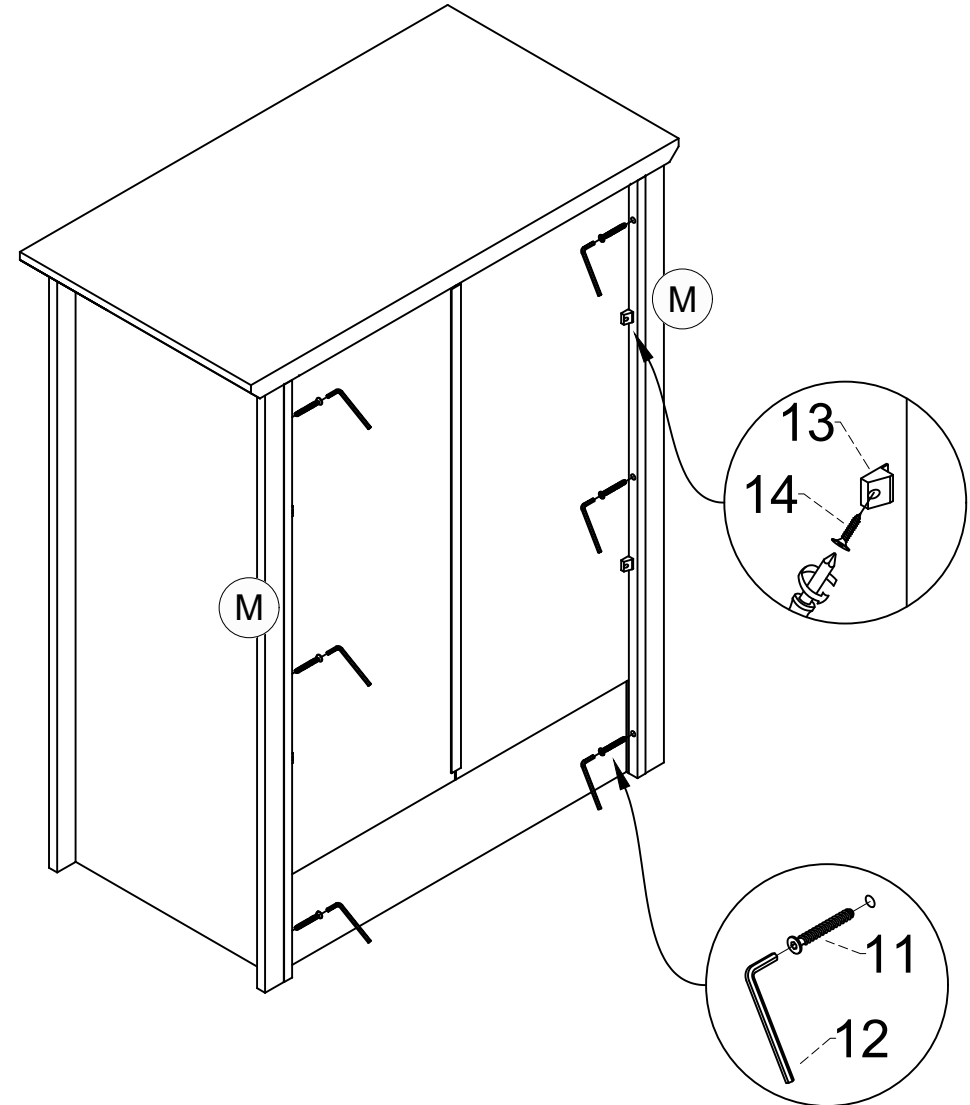
# STEP 7

8		1 pc
9		12 pcs
10		4 pcs



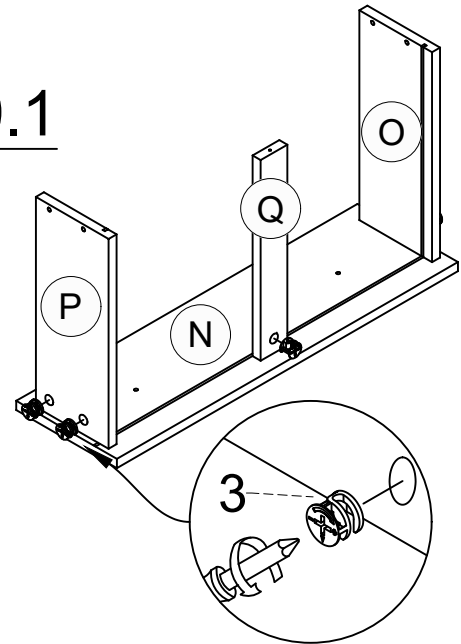
# STEP 8

11		6 pcs
12		1 pc
13		4 pcs
14		4 pcs

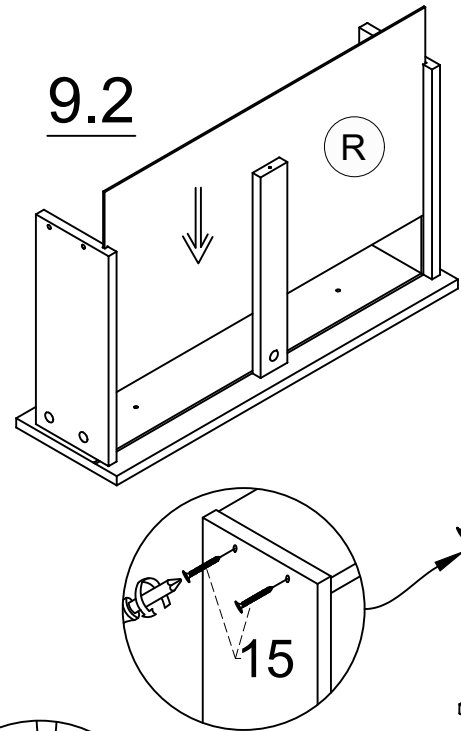


# STEP 9

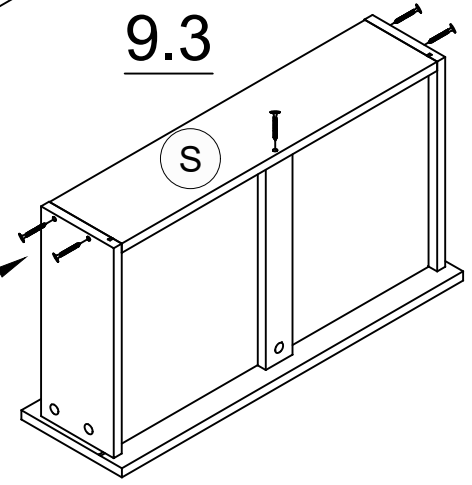
9.1



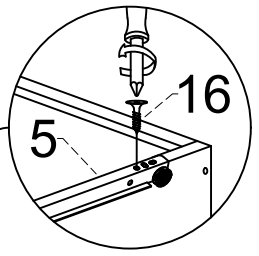
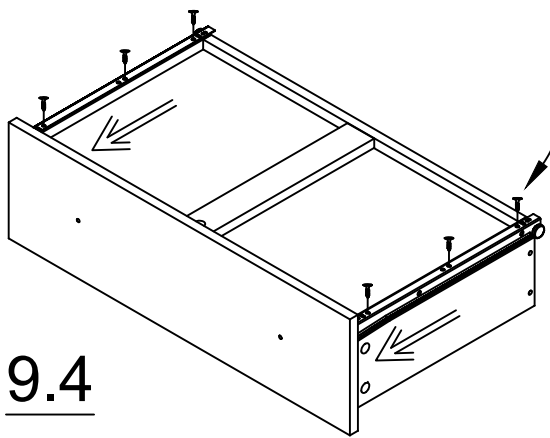
9.2



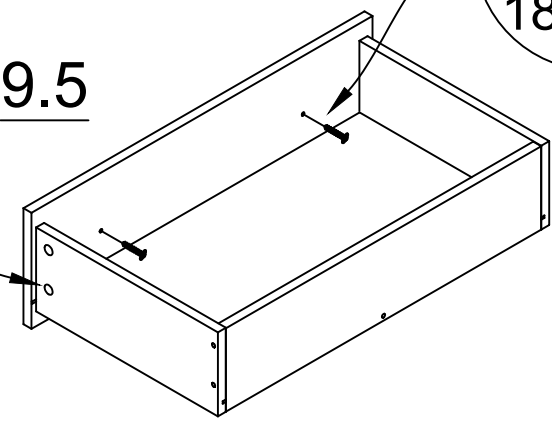
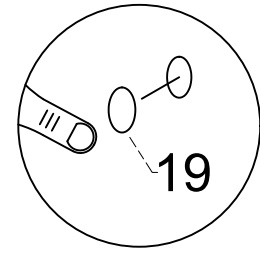
9.3



9.4



9.5



3		20 pcs
15		20 pcs
5		4 sets
16		24 pcs
17		8 pcs
18		8 pcs
19		16 pcs

PLEASE PUSH THE DRAWER SLIDES UNTIL THE END ACCORDING TO THE ARROW'S DIRECTION SHOWN ABOVE.

x4