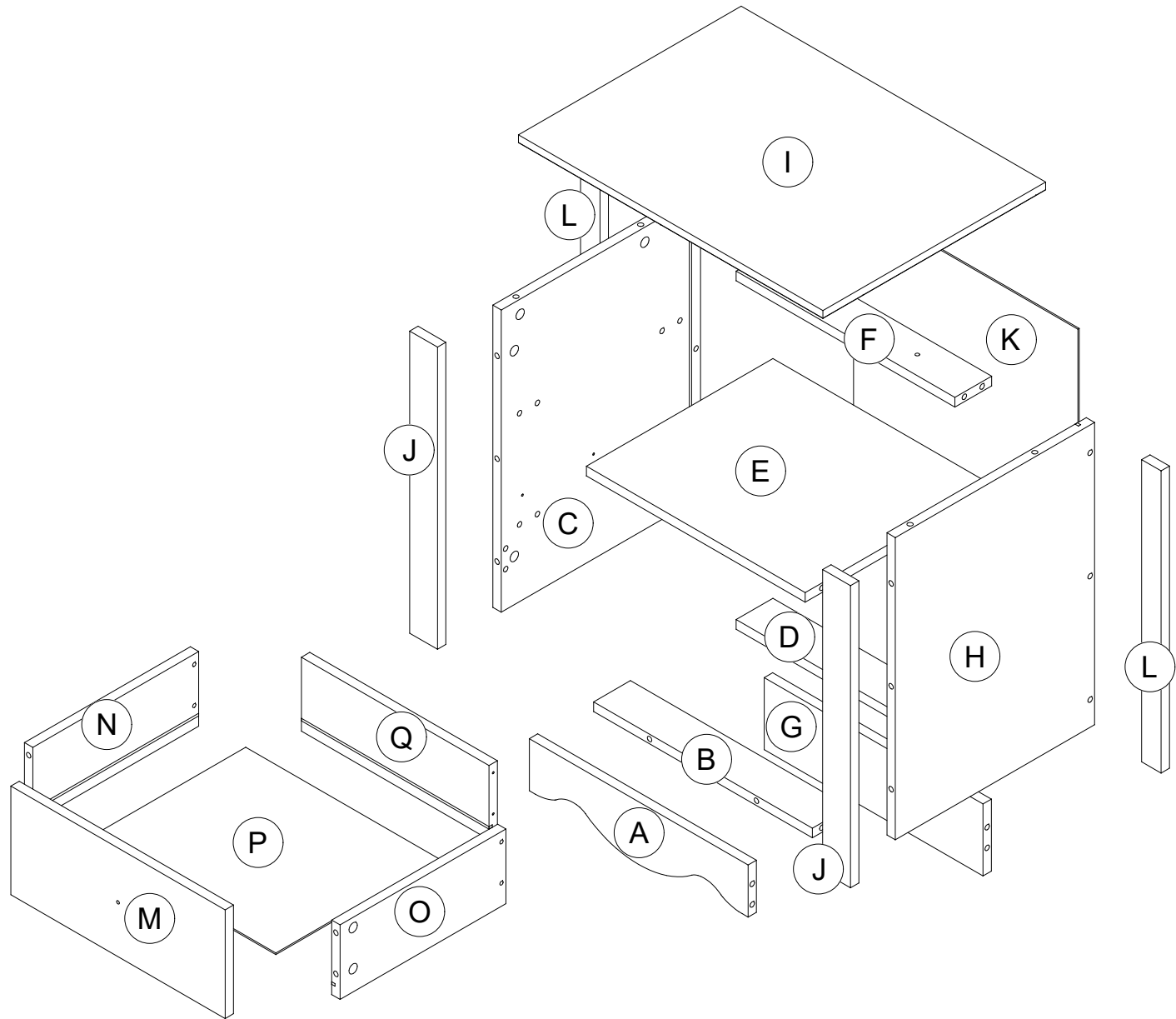


PART LIST

CODE	QTY
A	1
B	1
C	1
D	1
E	1
F	1
G	1
H	1
I	1
J	2
K	1
L	2
M	1
N	1
O	1
P	1
Q	1

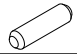



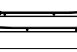








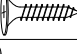
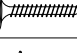
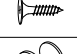




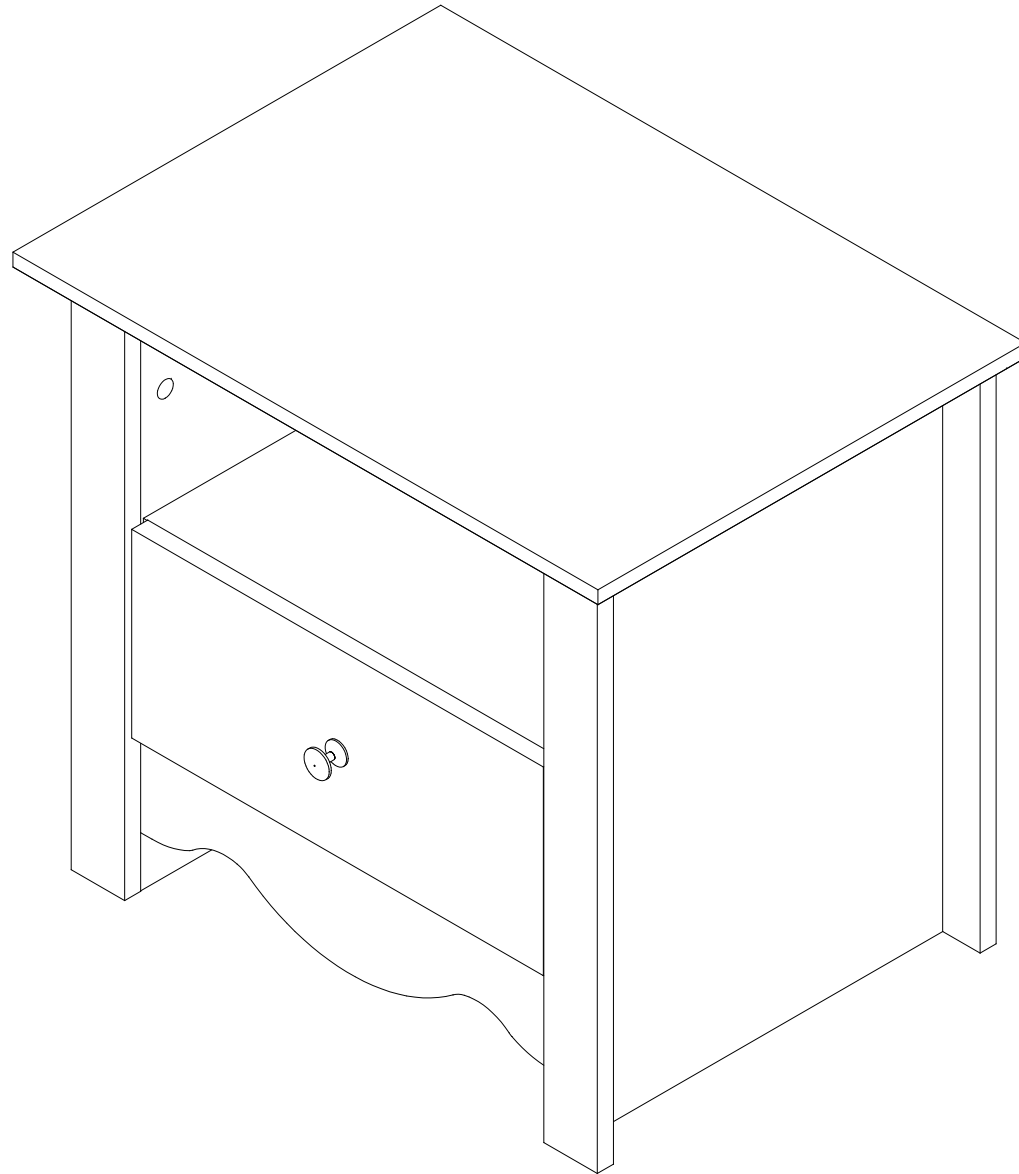
ASSEMBLY INSTRUCTIONS

DO NOT FULLY TIGHTEN ANY BOLTS BEFORE ALL PARTS ARE LOOSELY ASSEMBLED. THE PRODUCT/FITTINGS MAY BE DAMAGED IF OVERTIGHTENED. BEWARE OF CROSS THREADING SCREWS AND BOLTS DURINGS ASSEMBLY. SMALL COMPONENT PARTS COULD CHOKE A CHILD IF SWALLOWED. WE STRONGLY RECOMMEND THAT YOU KEEP CHILDREN AWAY FROM THE WORK AREA.

WALDEN NIGHT STAND

HARDWARE LIST

1		Wood Dowel $\phi 8 \times 30 \text{mm}$	20 pcs
2		Minifix Bolt	24 pcs
3		Minifix Cam	24 pcs
4		Drawer Slide 12"	1 set
5		Drawer Slide 12"	1 set
6		Screw $\phi 3.5 \times 12 \text{mm}$	8 pcs
7		Screw $\phi 4 \times 30 \text{mm}$	2 pcs
8		Minifix Cover Cap	6 pcs
9		Nail	6 pcs
10		PVC Nail With Pin	4 pcs
11		Screw $\phi 6 \times 45 \text{mm}$	6 pcs
12		Allen Key M4	1 pc
13		192 Stub	4 pcs
14		Screw $\phi 3.5 \times 25 \text{mm}$	4 pcs
15		Screw $\phi 4 \times 38 \text{mm}$	4 pcs
16		Screw $\phi 3.5 \times 16 \text{mm}$	6 pcs
17		Wooden Handle	1 pc
18		Handle Screw $\phi 4 \times 25 \text{mm}$	1 pc



Important Note :

Please choose the correct screw hole before fitting the drawer runner.



Minifix Setup :

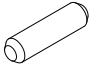



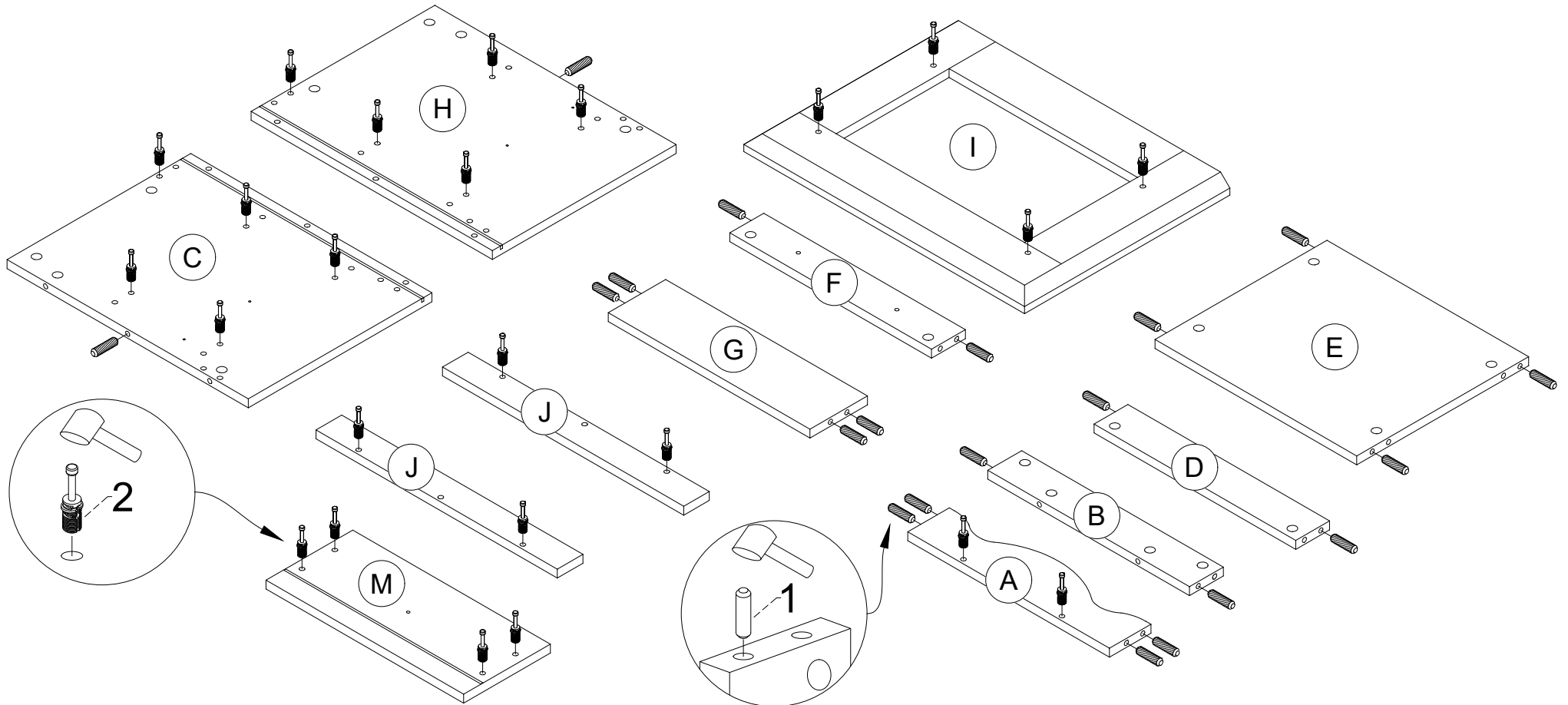
STEP 1
UNLOCK

STEP 2

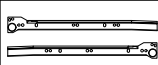
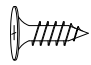
STEP 3
LOCK

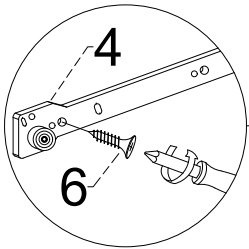
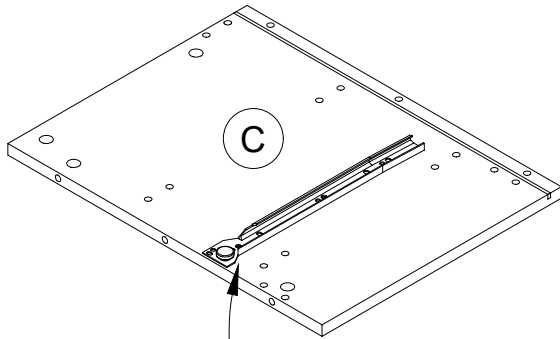
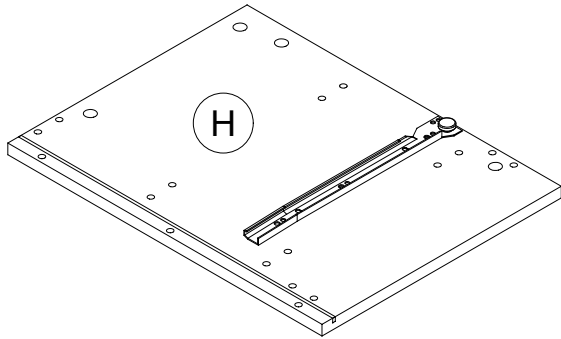
STEP 1

1		20 pcs
2		24 pcs




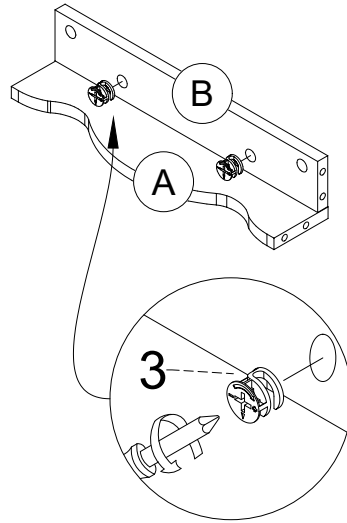
STEP 2

4		1 set
6		8 pcs




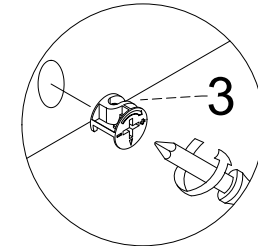
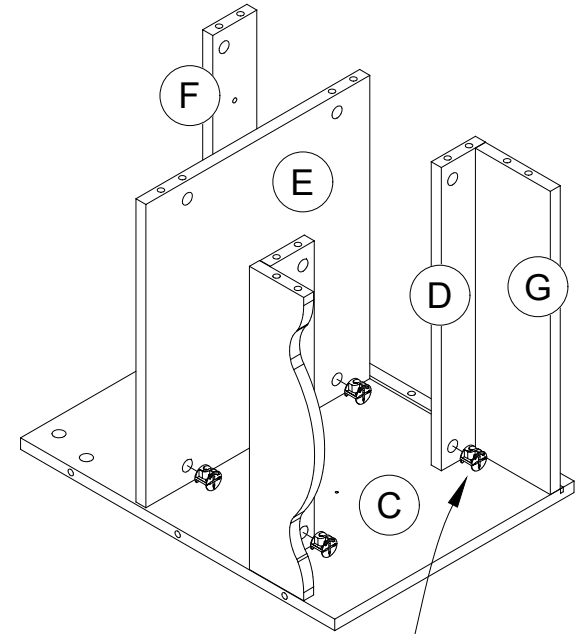
STEP 3

3		2 pcs
---	---	-------



STEP 4

3		5 pcs
---	--	-------

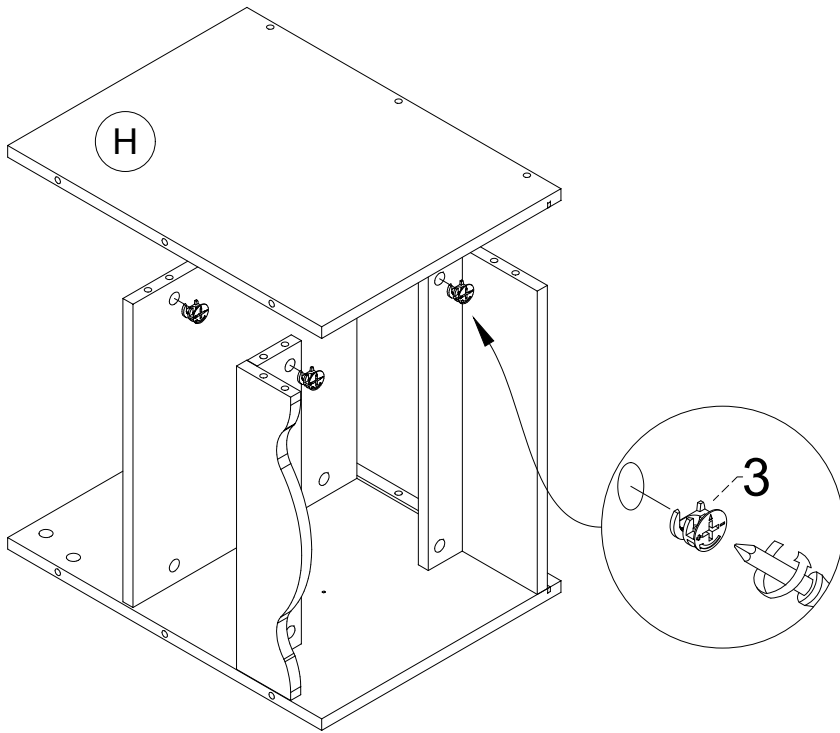


STEP 5

3



5 pcs



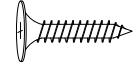
STEP 6

3



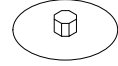
8 pcs

7

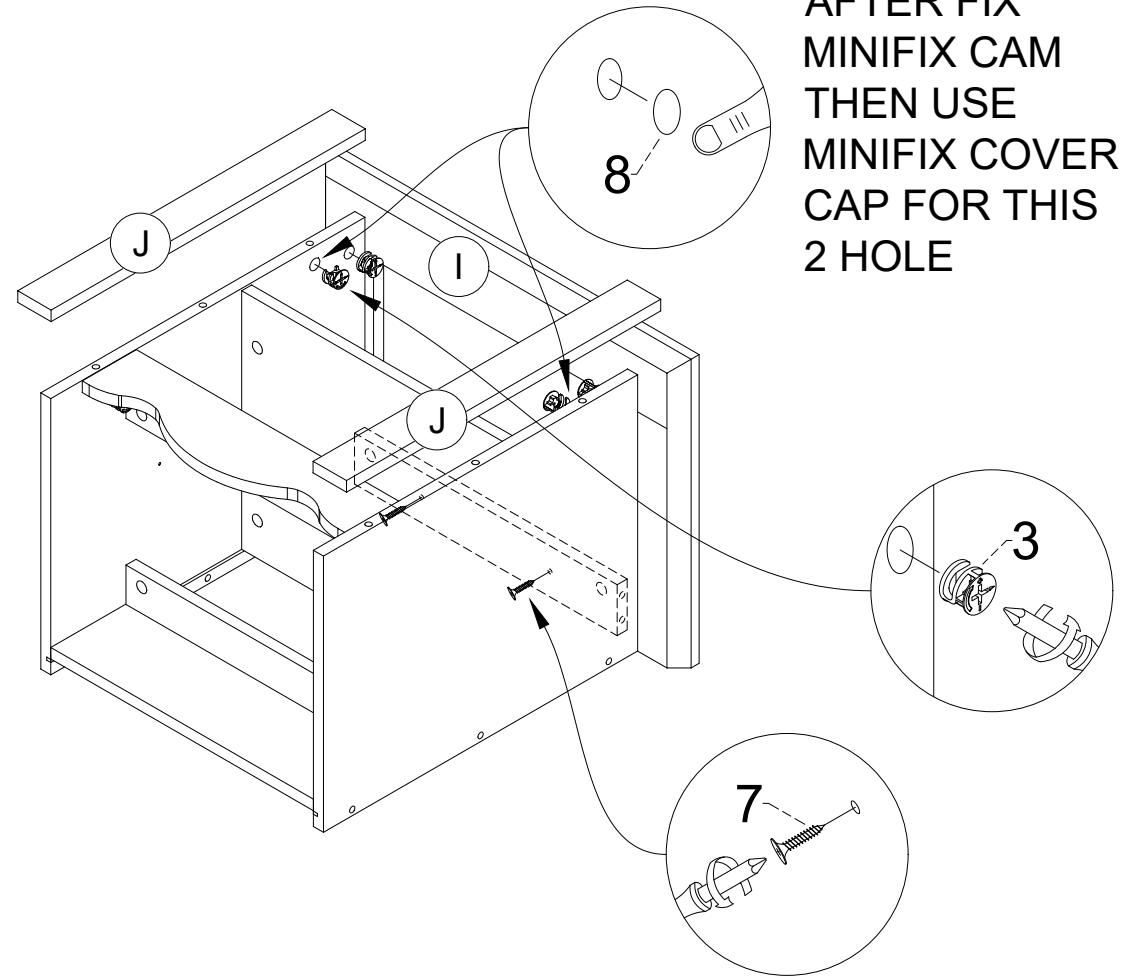


2 pcs

8

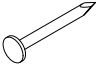



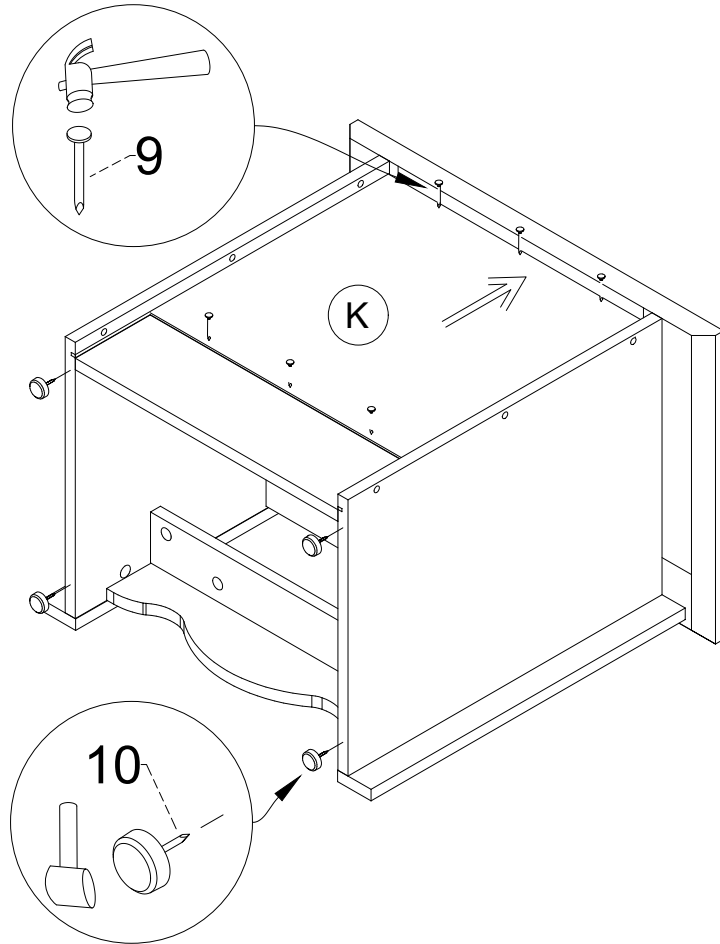
2 pcs



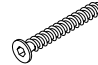

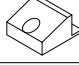
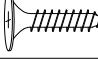
AFTER FIX
MINIFIX CAM
THEN USE
MINIFIX COVER
CAP FOR THIS
2 HOLE

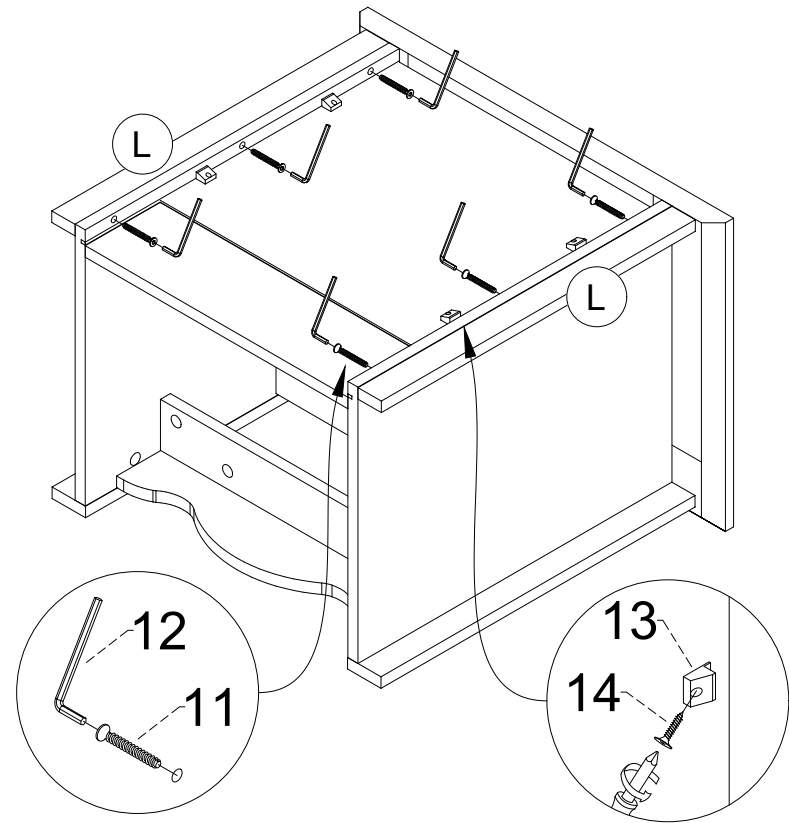
STEP 7

9		6 pcs
10		4 pcs

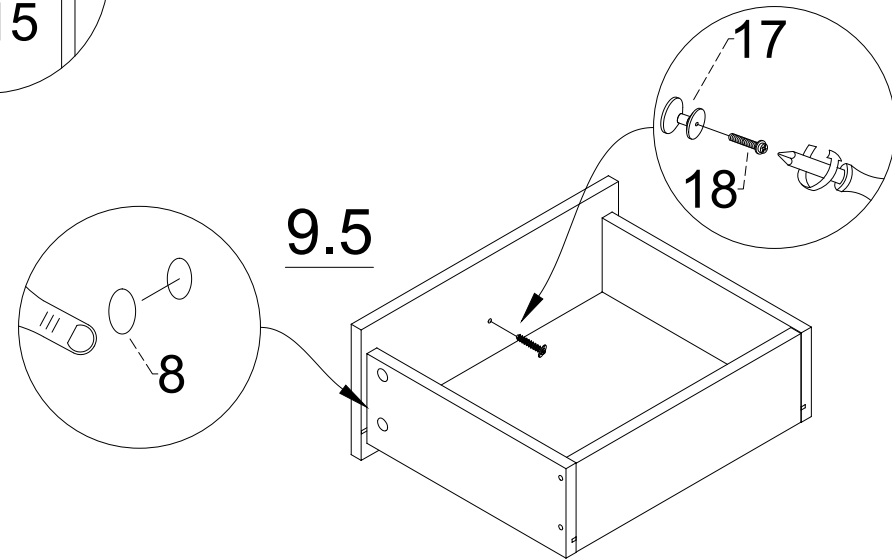
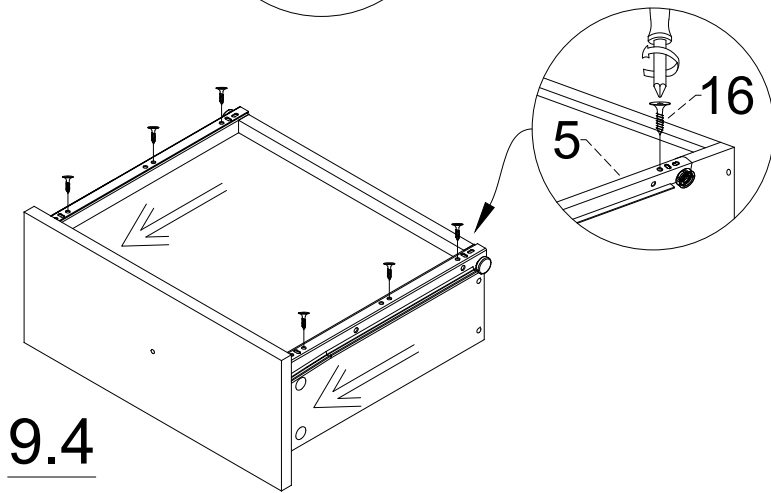
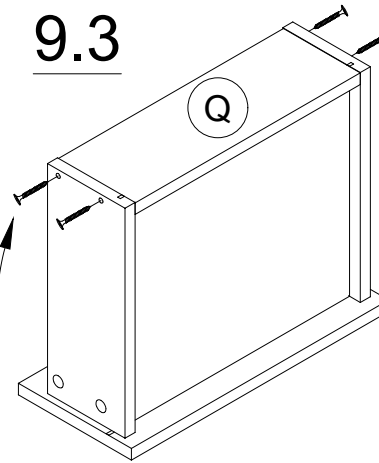
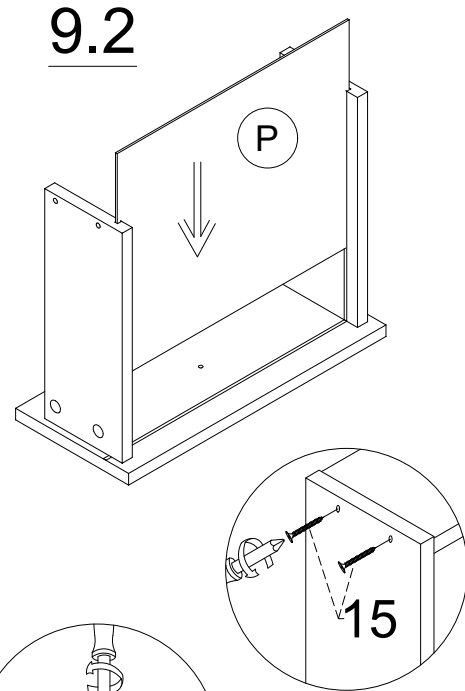
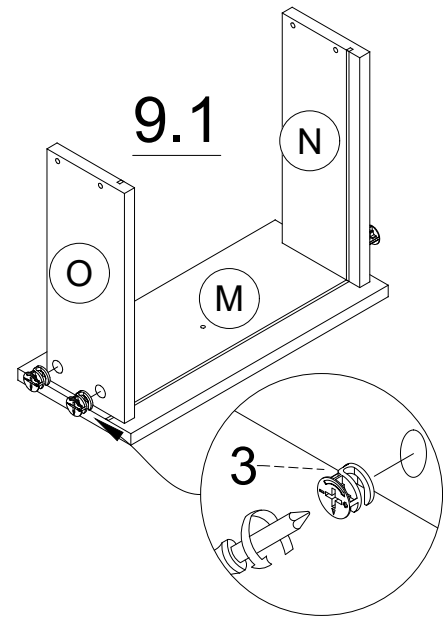


STEP 8

11		6 pcs
12		1 pc
13		4 pcs
14		4 pcs



STEP 9



3		4 pcs
15		4 pcs
5		1 set
16		6 pcs
17		1 pc
18		1 pc
8		4 pcs

PLEASE PUSH THE DRAWER SLIDES UNTIL THE END
ACCORDING TO THE ARROW'S DIRECTION SHOWN ABOVE.