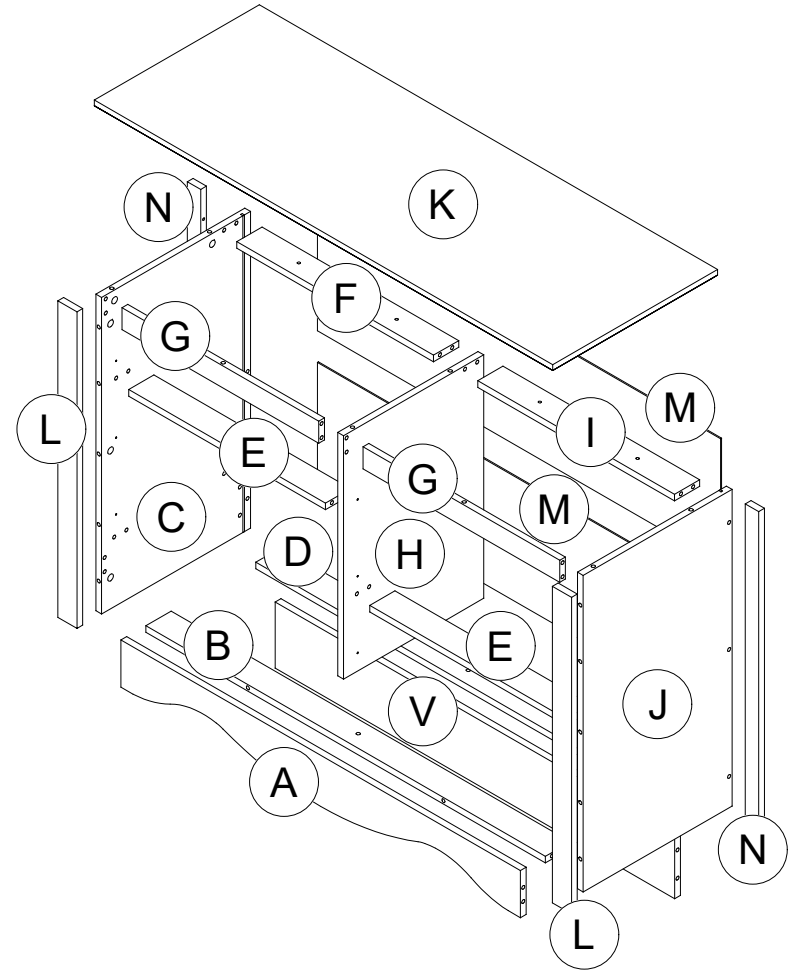
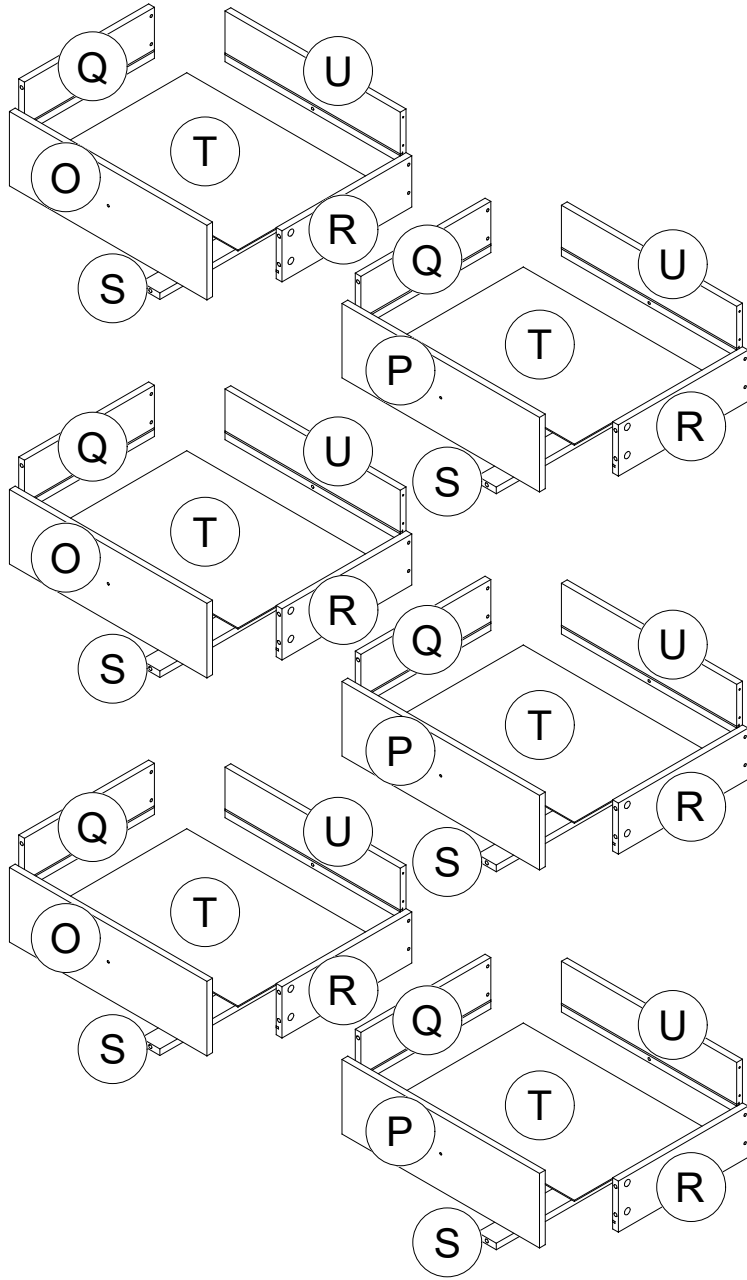


PART LIST

CODE	QTY
A	1
B	1
C	1
D	1
E	2
F	1
G	2
H	1
I	1
J	1
K	1
L	2
M	2
N	2
O	3
P	3
Q	6
R	6
S	6
T	6
U	6
V	1





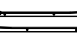

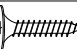

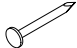




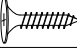
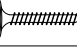
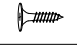



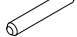


ASSEMBLY INSTRUCTIONS

DO NOT FULLY TIGHTEN ANY BOLTS BEFORE ALL PARTS ARE LOOSELY ASSEMBLED. THE PRODUCT/FITTINGS MAY BE DAMAGED IF OVERTIGHTENED. BEWARE OF CROSS THREADING SCREWS AND BOLTS DURINGS ASSEMBLY. SMALL COMPONENT PARTS COULD CHOKE A CHILD IF SWALLOWED. WE STRONGLY RECOMMEND THAT YOU KEEP CHILDREN AWAY FROM THE WORK AREA.

WALDEN 6 DRAWERS CHEST

HARDWARE LIST

1		Wood Dowel $\phi 8 \times 30 \text{mm}$	28 pcs
2		Minifix Bolt	54 pcs
3		Minifix Cam	54 pcs
4		Drawer Slide 14"	6 sets
5		Drawer Slide 14"	6 sets
6		Screw $\phi 3.5 \times 12 \text{mm}$	48 pcs
7		Screw $\phi 4 \times 30 \text{mm}$	4 pcs
8		PVH - 1044mm	1 pc
9		Nail	18 pcs
10		PVC Nail With Pin	5 pcs
11		Screw $\phi 6 \times 45 \text{mm}$	8 pcs
12		Allen Key M4	1 pc
13		192 Stub	4 pcs
14		Screw $\phi 3.5 \times 25 \text{mm}$	4 pcs
15		Screw $\phi 4 \times 38 \text{mm}$	30 pcs
16		Screw $\phi 3.5 \times 16 \text{mm}$	36 pcs
17		Wooden Handle	6 pcs
18		Handle Screw $\phi 4 \times 25 \text{mm}$	6 pcs
19		Minifix Cover Cap	24 pcs
20		Wood Dowel $\phi 8 \times 50 \text{mm}$	4 pcs



Important Note :

Please choose the correct screw hole before fitting the drawer runner.



Minifix Setup :





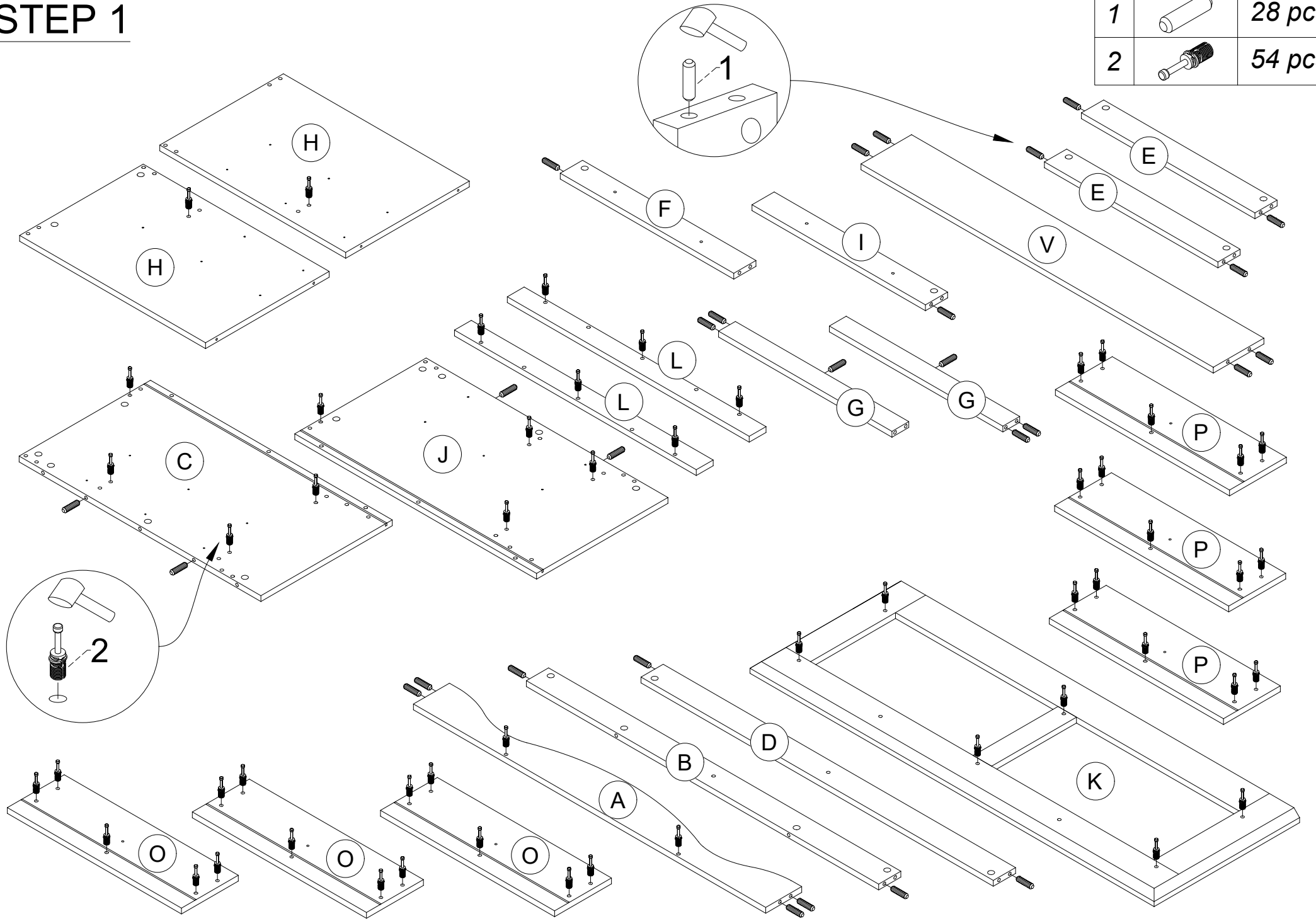
STEP 1
UNLOCK

STEP 2


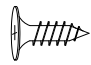
STEP 3
LOCK

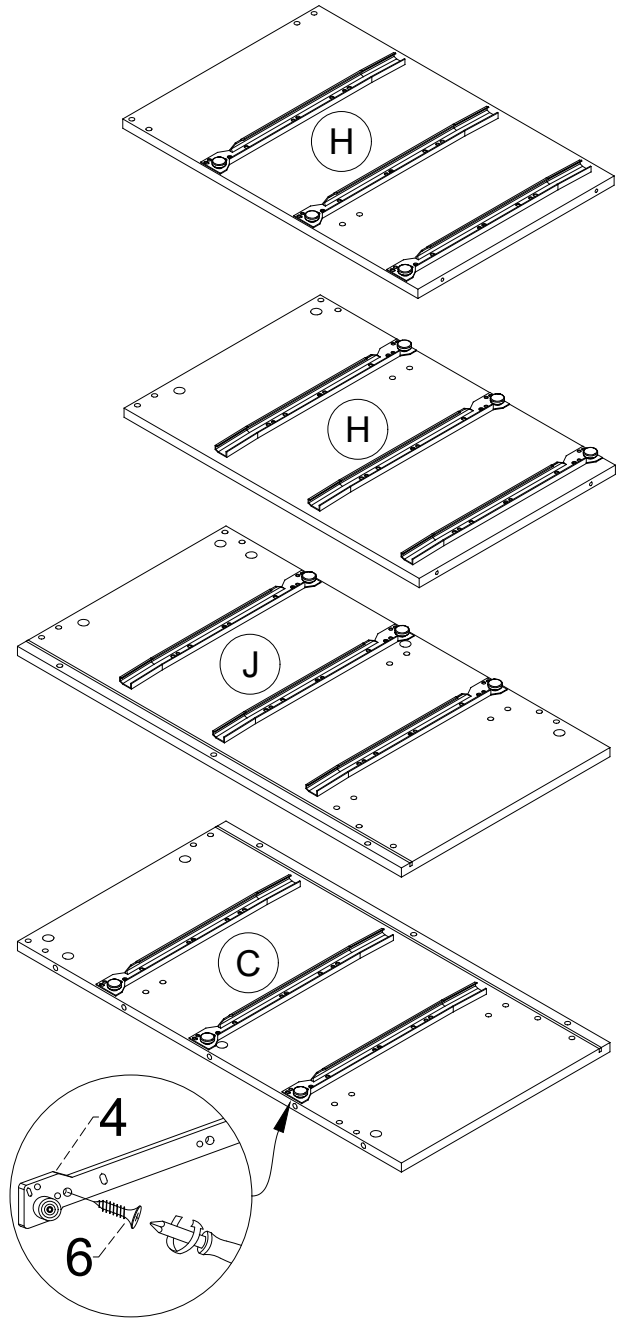
STEP 1

1		28 pcs
2		54 pcs



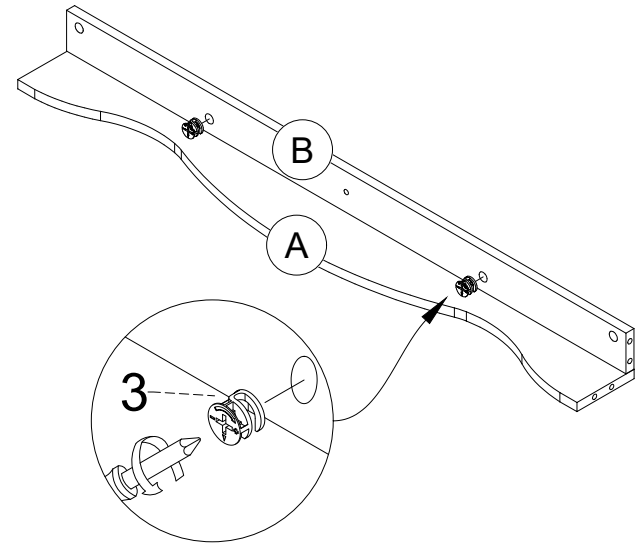
STEP 2

4		6 sets
6		48 pcs


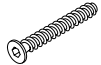

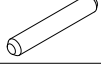


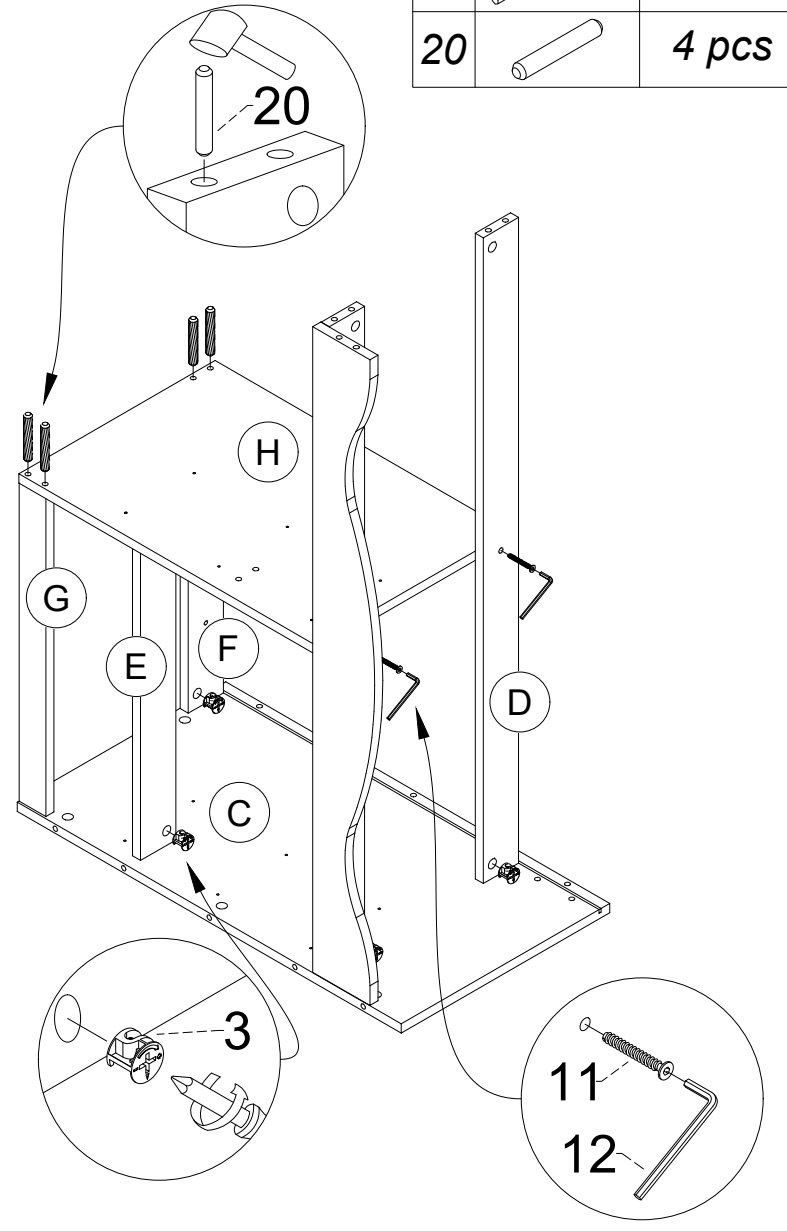
STEP 3

3		2 pcs
---	--	-------



STEP 4

3		5 pcs
11		2 pcs
12		1 pc
20		4 pcs

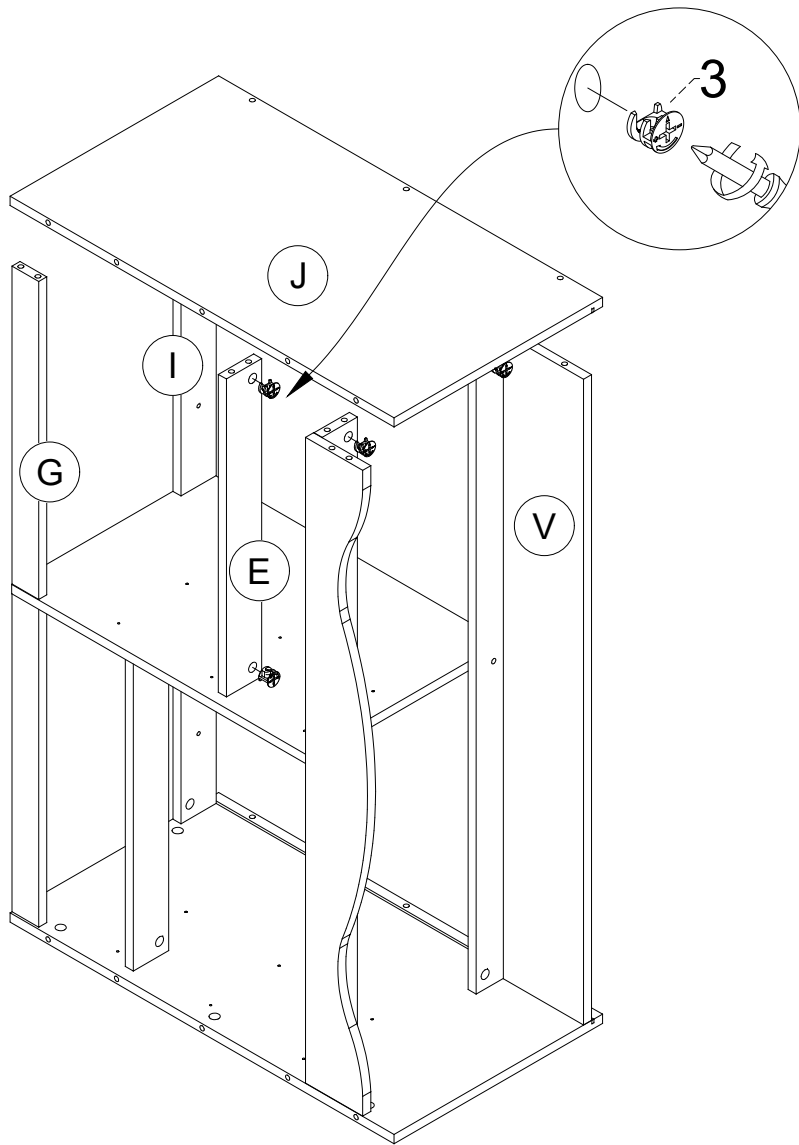


STEP 5

3



5 pcs



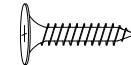
STEP 6

3

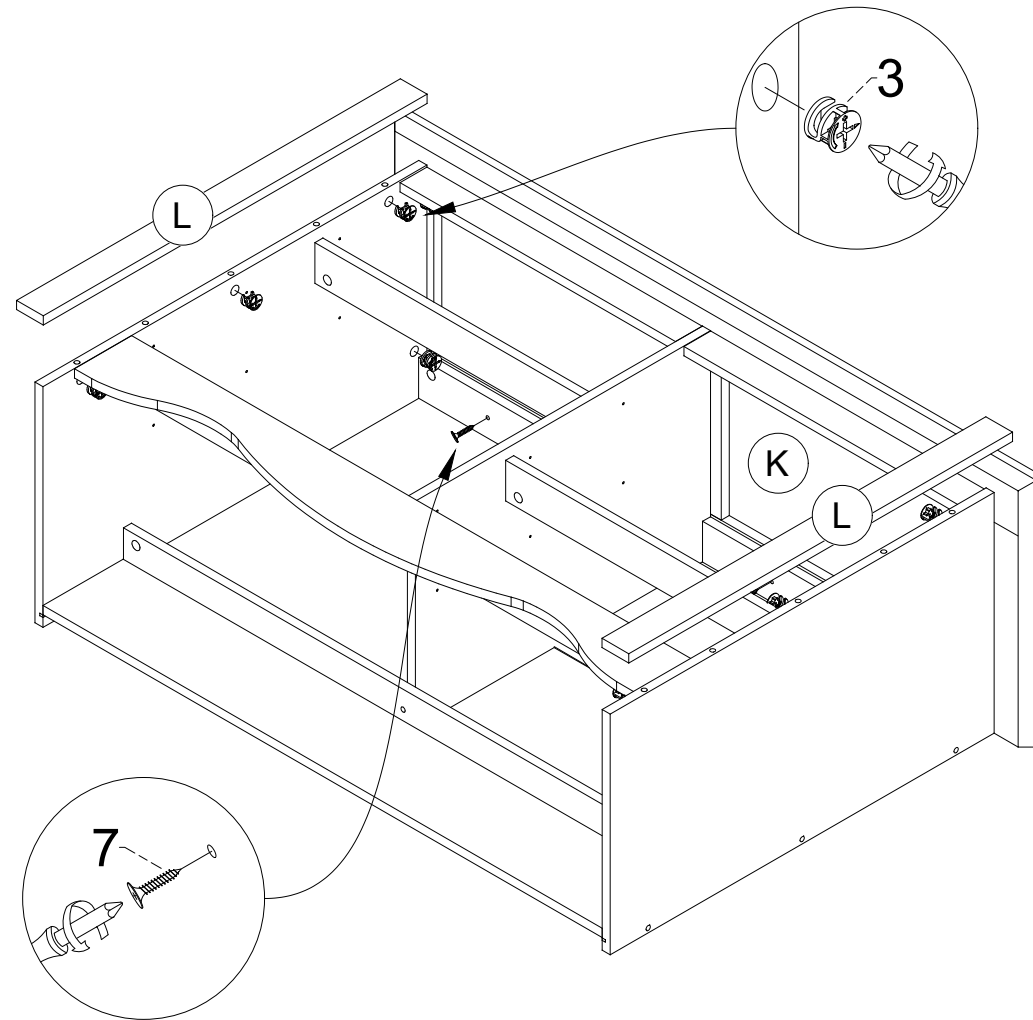


12 pcs


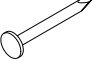

7

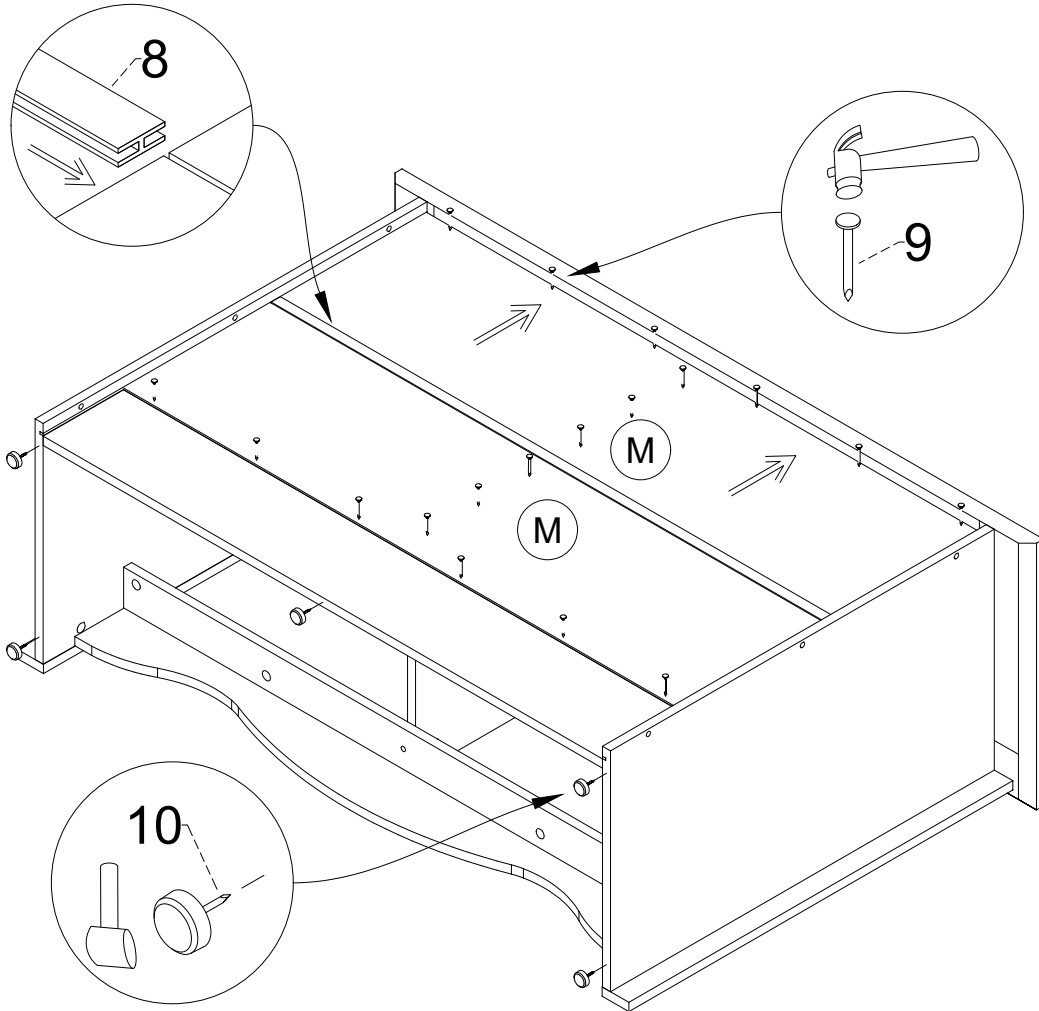


4 pcs

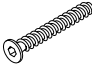

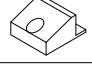
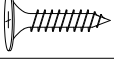


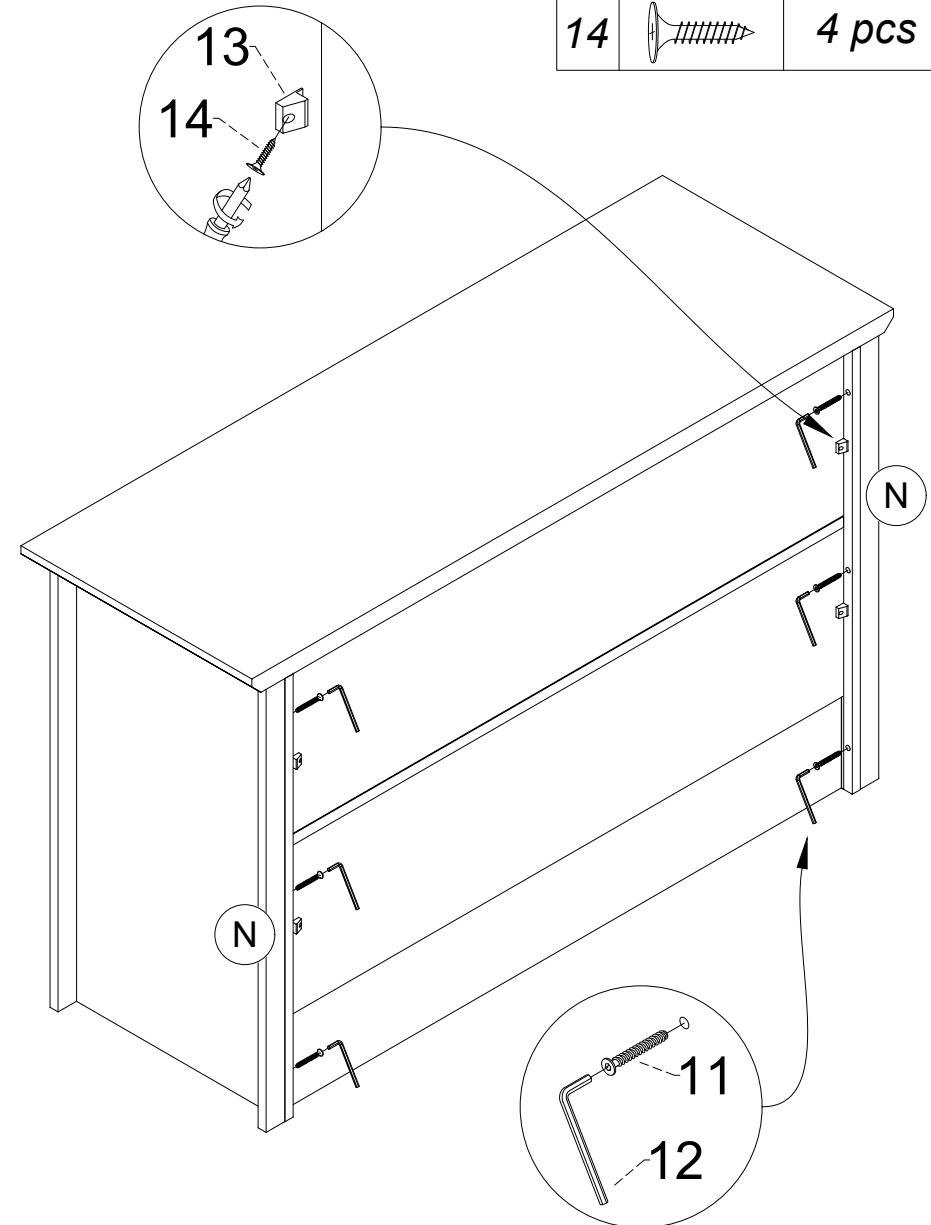
STEP 7

8		1 pc
9		18 pcs
10		5 pcs




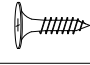





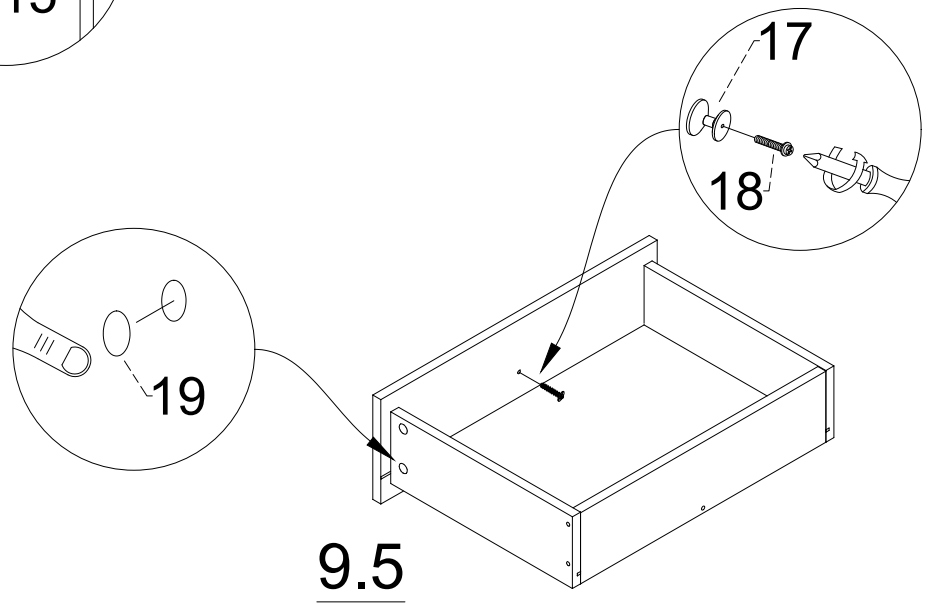
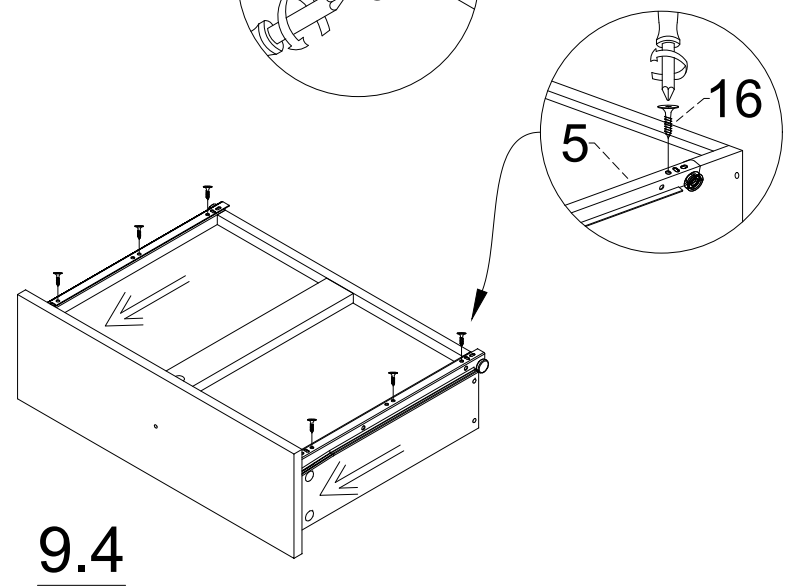
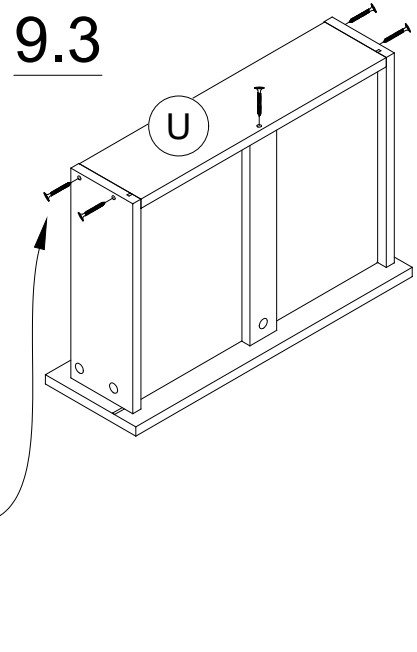
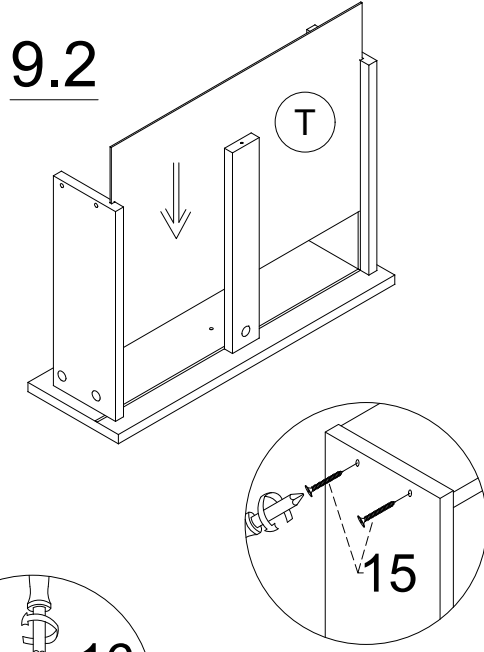
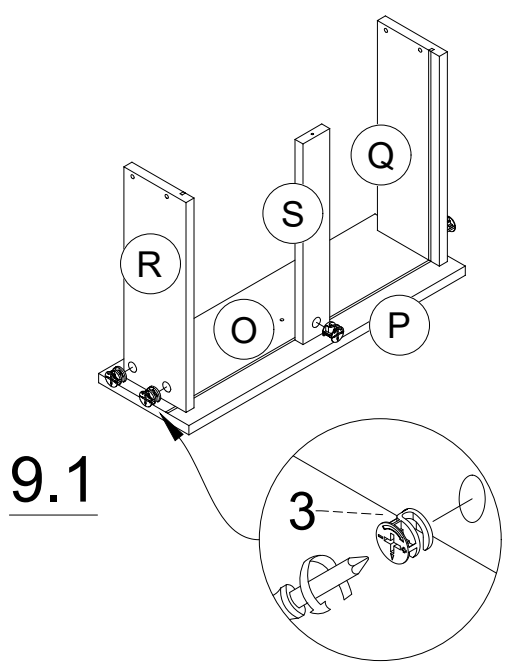
STEP 8

11		6 pcs
12		1 pc
13		4 pcs
14		4 pcs



STEP 9

3		30 pcs
15		30 pcs
5		6 sets
16		36 pcs
17		6 pcs
18		6 pcs
19		24 pcs



PLEASE PUSH THE DRAWER SLIDES UNTIL THE END
ACCORDING TO THE ARROW'S DIRECTION SHOWN ABOVE.

x6