

Haier

Installation and User Manual

Instructions d'installation et
Guide de l'utilisateur

Instrucciones de instalación y
Manual del usuario

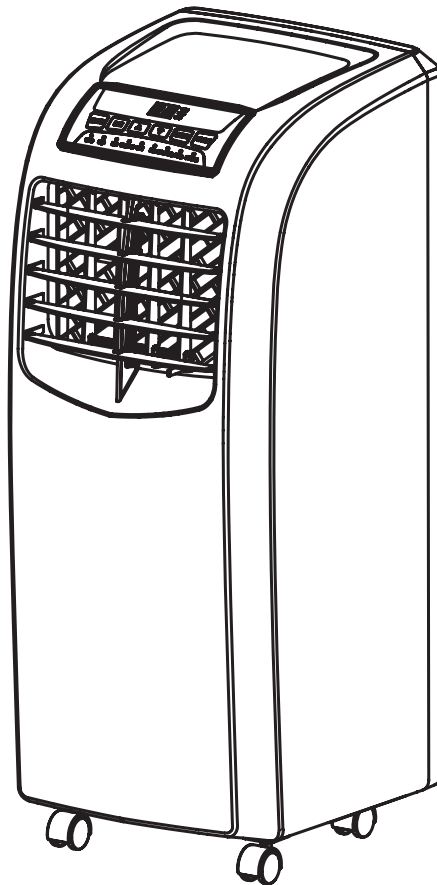
QPCD06AXLW

QPCD08AXLW

Portable Air Conditioner

Climatiseur portatif

Acondicionador de aire portatil



Design may vary by model number.

Some models may have an additional letter after the model number.

La configuration peut varier en fonction du numéro de modèle.

Sur certains modèles, le numéro de modèle peut être suivi d'une lettre supplémentaire.

El diseño puede variar según el número de modelo

Algunos modelos pueden tener una letra adicional después del número de modelo.

TABLE OF CONTENTS

AIR CONDITIONER SAFETY	2
PARTS AND FEATURES	3
INSTALLATION REQUIREMENTS	3
Tools and Parts	3
Location Requirements	4
Electrical Requirements	4
INSTALLATION INSTRUCTIONS	5
Step 1 - Unpack Air Conditioner	5
Step 2 - Install Exhaust Nozzle to Main Window Panel	5
Step 3 - Install Main Window Panel and Extension Panels	5
Step 4 - Attach Exhaust Hose to the Exhaust Nozzle	6
Step 5 - Connect Exhaust Hose to the Air Conditioner	7
Step 6 - Complete Installation	7
CONTROL PANEL	8
Buttons	8
Remote Control	8
Indicator Lights	8
AIR CONDITIONER USE	9
AIR CONDITIONER CARE	9
Cleaning	9
Air Filters	9
Internal Water Tank	9
Storage	9
TROUBLESHOOTING	10
LIMITED WARRANTY	11
RECORD KEEPING	1

RECORD KEEPING

Thank you for purchasing this Haier product. This user manual will help you get the best performance from your new air conditioner.

Model number

For future reference, record the model and serial number located on the label on the side of your air conditioner, and the date of purchase.

Serial number

Staple your proof of purchase to this manual to aid in obtaining warranty service if needed.

Date of purchase

AIR CONDITIONER SAFETY

Your safety and the safety of others are very important.

We have provided many important safety messages in this manual and on your appliance. Always read and obey all safety messages.



This is the safety alert symbol.

This symbol alerts you to potential hazards that can kill or hurt you and others. All safety messages will follow the safety alert symbol and either the word "DANGER," "WARNING" or "CAUTION."

These words mean:



An imminently hazardous situation. You could be killed or seriously injured if you don't immediately follow instructions.



A potentially hazardous situation which, if not avoided, could result in death or serious bodily injury.



A potentially hazardous situation which, if not avoided, may result in moderate or minor injury.

All safety messages will tell you what the potential hazard is, tell you how to reduce the chance of injury, and tell you what can happen if the instructions are not followed.

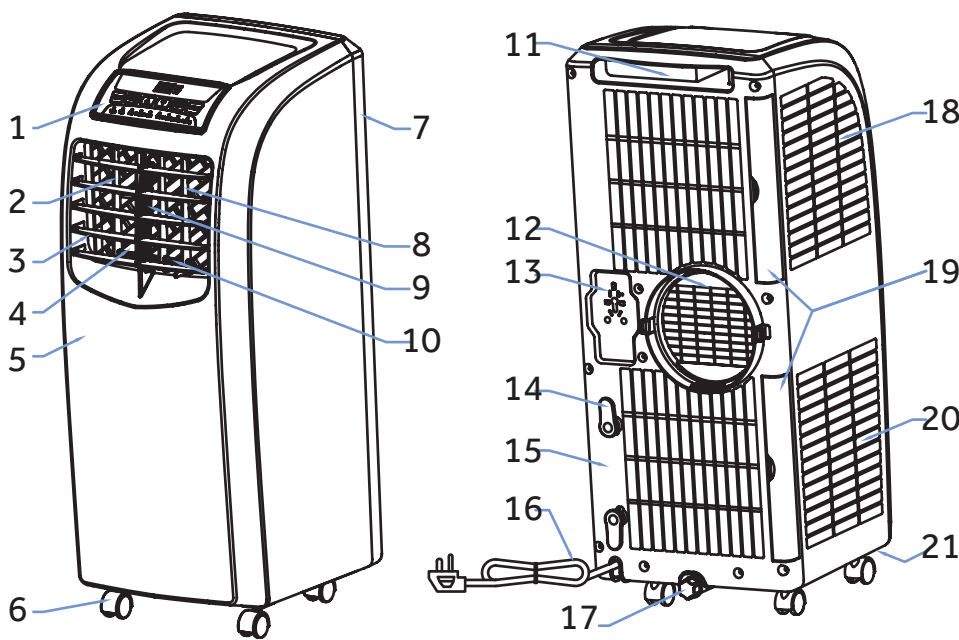
IMPORTANT SAFETY INSTRUCTIONS

WARNING: To reduce the risk of fire, electrical shock, injury to persons, or damage when using the air conditioner, follow basic precautions, including the following:

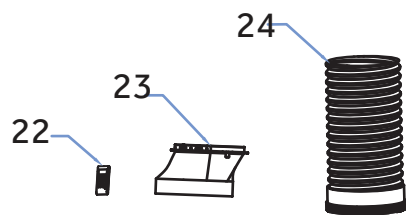
- Read all of the instructions before using this appliance.
 - Plug into a grounded 3 prong outlet.
 - Do not remove ground prong.
 - Do not use an adapter.
 - Do not use an extension cord.
 - Do not operate the air conditioner if it has a damaged cord or plug, if it is not working properly, or if it has been damaged or dropped.
 - The air conditioner should be serviced only by qualified service personnel. Call an authorized service company for examination, repair, or adjustment.
 - Disconnect power before servicing.
 - Disconnect power before cleaning.
- NOTE:** Turning off power by pressing the Power button does NOT disconnect the appliance from the power supply.
- Do not install or use the air conditioner in any area where the atmosphere contains combustible gases or where the atmosphere is contaminated. Avoid any chemicals coming in contact with your air conditioner.
 - Do not store anything directly on top of the air conditioner.
 - Use two or more people to move and install air conditioner.
 - Never operate the air conditioner without the filters in place.
 - Do not use the air conditioner near a bathtub, shower or wash basin or other wet area.

READ AND SAVE THESE INSTRUCTIONS

PARTS AND FEATURES



1. Control Panel
2. Vertical Louvers
3. Horizontal Louvers
4. Air Outlet Frame
5. Front Shell
6. Universal Wheel
7. Back Shell
8. Main Vertical Louver
9. Horizontal Louver Connecting Rod
10. Vertical Louvers Connecting Rod
11. Handle (right side for remote control storage)
12. Protective net of Exhaust Vent
13. Universal Plug Fixing Holes
14. Wire Winding Pillar
15. Back Shell
16. Power Cord
17. Drain Hole and Cover
18. Filter
19. Filters
20. Filter
21. Chassis
22. Remote Control
23. Exhaust Hose Adapter
24. Exhaust Hose Assembly



INSTALLATION REQUIREMENTS

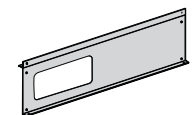
TOOLS AND PARTS

Gather the required tools and parts before starting installation.

TOOLS NEEDED

- Flat-blade Screwdriver
- Phillips Screwdriver

PARTS SUPPLIED



- Main Window Panel



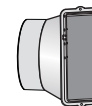
- Extension Panels (2)



- Flat Screws (6)
4 for extension panels
2 for nozzles



- Pointed Screws (7)
2 for top window brackets
1 for security bracket
4 for main window panel



- Exhaust Nozzle



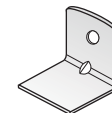
- Exhaust Hose (1 or 2 depending on model)



- Top Window Bracket (2)

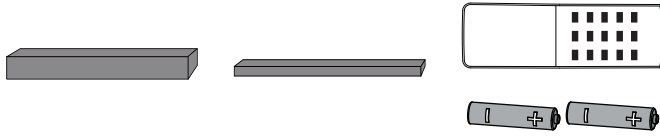


- Bottom Window Bracket (2)



- Security Bracket

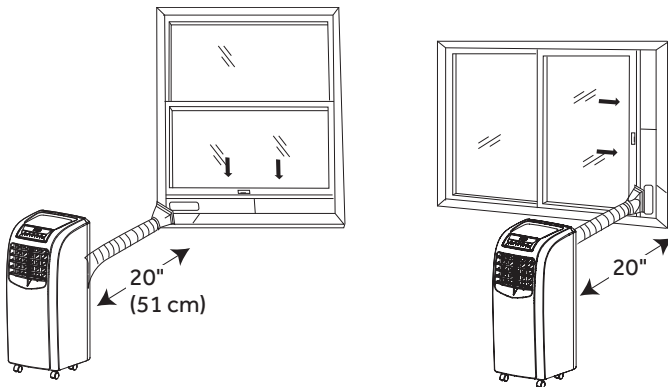
INSTALLATION REQUIREMENTS



- Top Foam Strip (10 mm x 10 mm x 102 cm)
- Bottom Foam Strip (3 mm x 10 mm x 102 cm)
- Remote Control
- Batteries (2)

LOCATION REQUIREMENTS

- Place the air conditioner on a flat, level surface in a location that is at least 20" (51 cm) from any wall.
- NOTE:** The recommended distance from the window for optimal performance is 30" (76 cm).
- Maintain a minimum 20" (51 cm) clearance around the air conditioner to not block airflow.
 - Keep the air conditioner free of any obstructions such as drapes, curtains, blinds, etc.
 - The exhaust hose should be free of any obstructions.
 - Do not place the air conditioner on an unstable or raised surface because it could fall and cause damage or injury.
 - Do not place the air conditioner in direct sunlight or near a heat source such as baseboard heaters, stoves, etc.
 - The window panel can be installed in a window with a minimum 20" (51 cm) to a maximum 40" (101.6 cm) opening.



ELECTRICAL REQUIREMENTS

⚠ WARNING



Electrical Shock Hazard

Plug into a grounded 3 prong outlet.

Do not remove the ground prong from the power cord plug.

Do not use an adapter.

Do not use an extension cord.

Failure to do so can result in death, fire or electrical shock.

POWER SUPPLY CORD

Wiring Requirements

- 115 Volt, 60Hz, 15-amp fused grounded 3 prong outlet
- The use of a time-delay fuse or time-delay circuit breaker is recommended.
- Use a dedicated circuit only.

NOTE: Do not operate any other electrical appliances on this circuit or you may trip the circuit breaker/fuse.

If this power supply cord is damaged, it cannot be repaired. It must be replaced with a cord from the product manufacturer. If the power supply cord is damaged call Haier Customer Service: 1-877-337-3639.

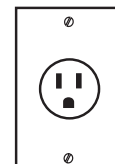


To test the power supply cord before operation:

1. Plug the power cord into a grounded 3 prong outlet.
2. Press the Test button, and then press and release the Reset button to restore power.

REQUIRED GROUNDING METHOD

This air conditioner must be grounded. The air conditioner is equipped with a power supply cord that has a 3 prong grounding plug. The power supply cord must be plugged into a mating, grounded 3 prong outlet, and grounded in accordance with all local codes and ordinances.



115V
15 Amp

INSTALLATION INSTRUCTIONS

STEP 1 - UNPACK AIR CONDITIONER

⚠ WARNING

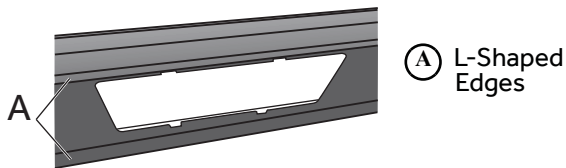
Excessive Weight Hazard

Use two or more people to move and install air conditioner.
Failure to do so can result in back or other injury.

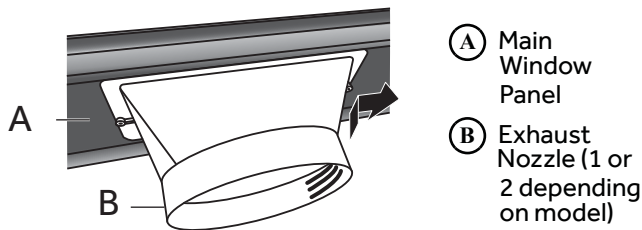
- Remove packaging materials. Save the carton and the foam packaging for storing the air conditioner when not in use.
NOTE: There are NO packing materials inside the air conditioner to remove—Do Not open the cabinet.
- Properly dispose of/recycle all packing material.
- Handle the air conditioner gently.
- Keep the air conditioner upright and level. Do not set the air conditioner on its side, front, back or upside down.

STEP 2 - INSTALL EXHAUST NOZZLE TO MAIN WINDOW PANEL

1. Hold the main window panel so that the L-shaped edges of the panel are facing you.

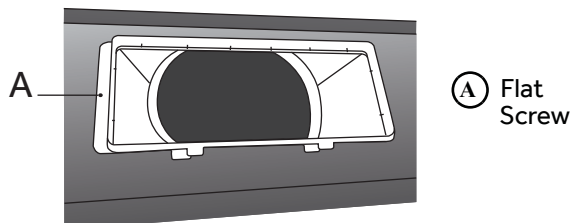


2. Align the exhaust nozzle with the slots in the opening, and then insert and slide the nozzle to access the hole from the back of the main window panel.



3. Turn the main window panel over, so that the nozzle is away from you. Insert a flat screw through the hole to fasten the window panel to the adapter.

NOTE: On a dual hose unit, install the smaller hose nozzle to the left-hand hole in the panel.



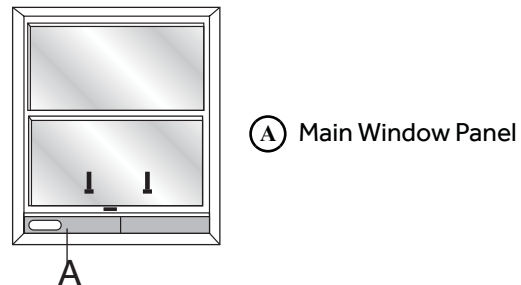
STEP 3 - INSTALL MAIN WINDOW PANEL AND EXTENSION PANELS

NOTE: Depending on the size of your window opening, use the main panel and one or both of the extension panels.

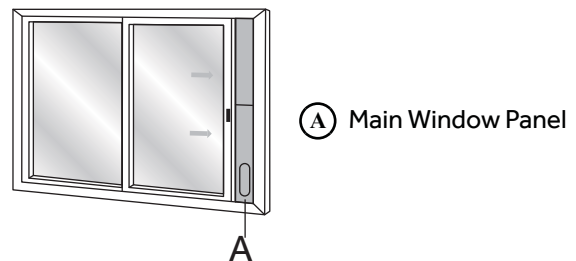
1. Open the window and place the main window panel into the window.

NOTE: The window assembly is designed to accommodate either a vertical slide or horizontal slide window.

Vertical Slide Window



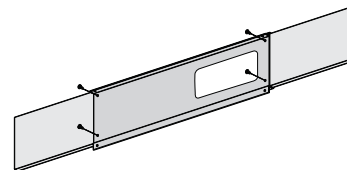
Horizontal Slide Window



2. Adjust the extension panel(s) to the width or height of the window as shown.

NOTE: Some window installations may require the extension panels to be trimmed.

3. Depending on the number of extension panels used, use two or four flat screws to secure the main panel to the extension panel(s).



NOTE: There are many window types on the market today. Use the foam strips and brackets (provided) to secure the extension panels that fit the window opening.

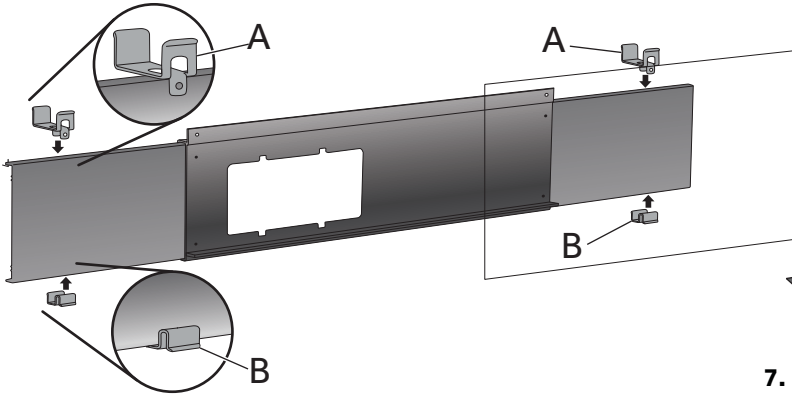
4. Place the two top window brackets and two bottom window brackets where they will best support the extension panels.

Before Assembly

INSTALLATION INSTRUCTIONS

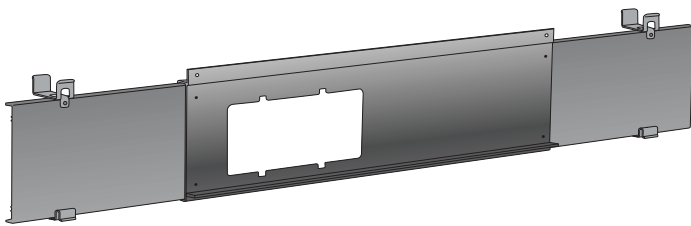
- Place the two top window brackets and two bottom window brackets where they will best support the extension panels.

Before Assembly

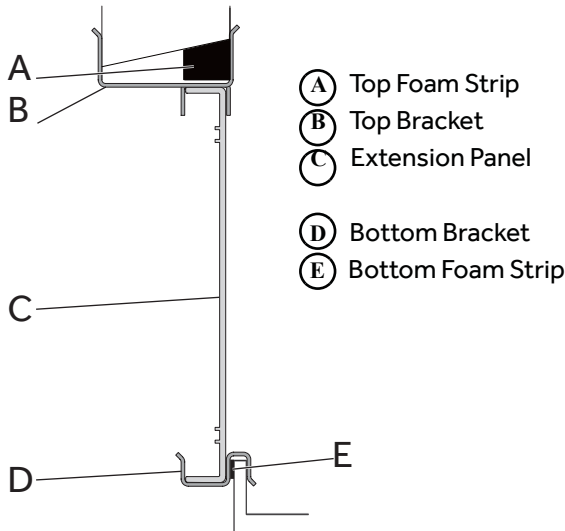


- (A) Top Window Brackets
- (B) Bottom Window Brackets

After Assembly

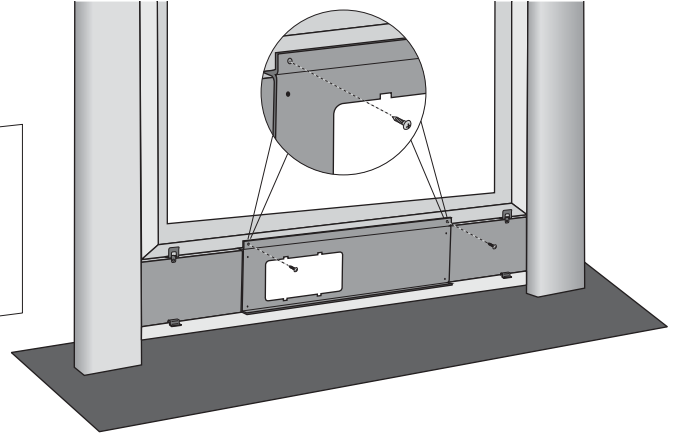


- Apply the top foam strip (provided) across the top of the window panel assembly, and then apply the bottom foam strip (provided) across the bottom front edge of the window panel assembly, as shown.



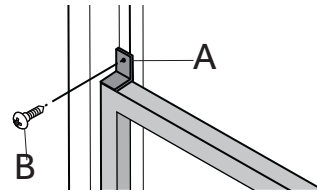
- (A) Top Foam Strip
- (B) Top Bracket
- (C) Extension Panel
- (D) Bottom Bracket
- (E) Bottom Foam Strip

- Place the window panel assembly in the window, and using the screws provided, fasten the assembly to the window sill and window frame.



- Using one pointed screw, install the Security bracket to the window.

NOTE: The security bracket prevents the window from being opened from the outside.



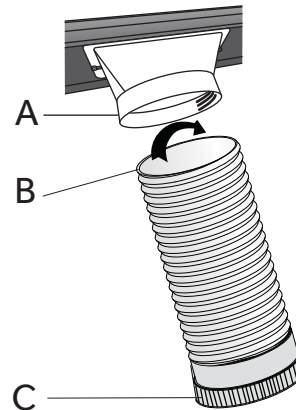
- (A) Security Bracket
- (B) Pointed Screw (1)

STEP 4 - ATTACH EXHAUST HOSE TO THE EXHAUST NOZZLE

- Grasp both ends of the exhaust hose and gently pull to expand the hose.

NOTE: Do not attach additional hoses to extend the length. This would decrease cooling efficiency and may damage the air conditioner.

- Using a counterclockwise motion, attach the open end of the exhaust hose to the exhaust nozzle.



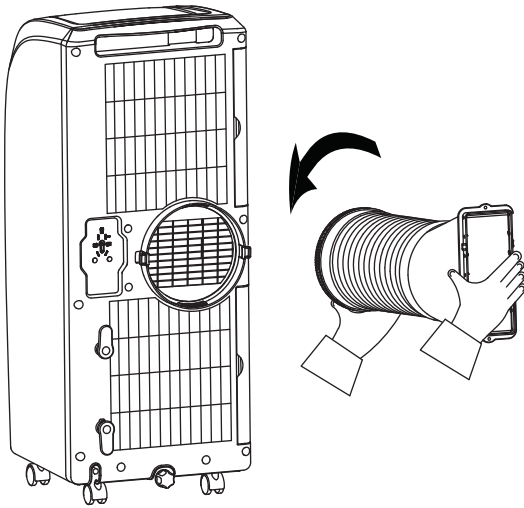
- (A) Exhaust Nozzle (1 or 2 depending on model)
- (B) Hose (open end)
- (C) Hose (connector end)

INSTALLATION INSTRUCTIONS

STEP 5 - CONNECT EXHAUST HOSE TO THE AIR CONDITIONER

IMPORTANT: When connecting the hose, the air conditioner must be close enough to the window that you will not dislodge the window seal plate. Once the hose is connected, move the air conditioner 20" (51 cm) from the wall.

1. Align the notches on the connector end of the exhaust hose with the ridges in the opening on the back of the air conditioner.
2. Using a counterclockwise motion, screw the exhaust hose (connector end) into the air outlet located on the back of the air conditioner.



STEP 6 - COMPLETE INSTALLATION

⚠ WARNING



Electrical Shock Hazard

Plug into a grounded 3 prong outlet.

Do not remove the ground prong from the power cord plug.

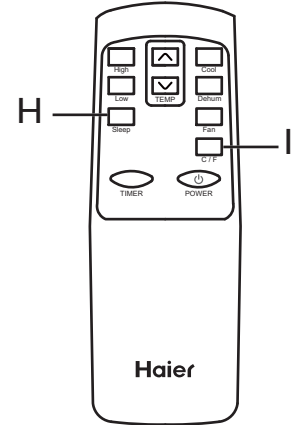
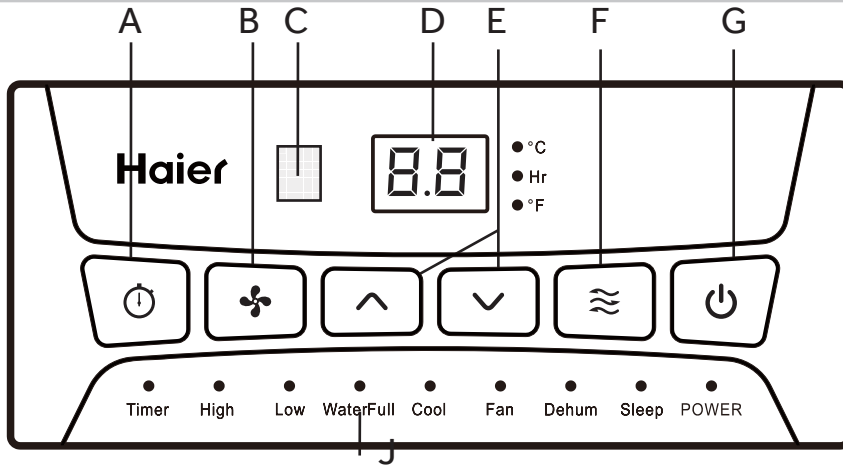
Do not use an adapter.

Do not use an extension cord.

Failure to do so can result in death, fire or electrical shock.

1. Plug the power cord into a grounded 3 prong outlet.
2. Press the Reset button on the power cord to ensure the safety plug is providing power to the air conditioner.

CONTROL PANEL



BUTTONS

A TIMER BUTTON

Program a time from (1-hour to 24-hours) for the air conditioner to turn Off or On. When a Time Delay is programmed, the Timer indicator light will illuminate.

While the air conditioner is operating:

1. Press the Timer button.
2. Press the Up/Down arrow buttons to select the number of hours you want the air conditioner to continue to operate before turning Off.

NOTE: Wait approximately 5 seconds for the Turn-Off time to be saved.

While the air conditioner is off:

1. Press the Timer button.
2. Press the Up/Down arrow buttons to select the number of hours you want the air conditioner to remain off before turning On.

NOTE: Wait approximately 5 seconds for the Turn-On time to be saved.

To cancel the timer:

- Press the Timer button once, the hours remaining will flash, press the timer button again and the timer will be canceled.

B FAN SPEED BUTTON

The fan speed can be adjusted from Low speed to High speed when the air conditioner is either in Cool or Fan mode.

NOTE: The fan speed cannot be adjusted when the unit is in DRY mode.

- Press the Fan Speed button to toggle among the two speeds. The corresponding fan speed indicator will illuminate.

C REMOTE CONTROL SIGNAL RECEIVING WINDOW

Aim the Remote Control at this window so the Control will receive the signal.

D CONTROL PANEL DISPLAY

Displays the Set Temperature in degrees Fahrenheit or degrees Celsius, or the hours remaining in a Time Delay. The corresponding indicator light will illuminate.

E UP AND DOWN ARROW BUTTONS

Adjusts the Temperature or Hours in Time Delay.

To Set the Temperature:

The temperature can be set between 62°F and 86°F (17°C and 30°C) when the air conditioner is in Cool mode.

1. Press the Mode button until the Cool mode is selected.
2. Press the Up Arrow or Down Arrow buttons to select the Temperature.

NOTE: The temperature cannot be set when the air conditioner is in either Fan or Dry mode.

F MODE BUTTON

Press the Mode button to toggle among the operating options. The corresponding indicator will illuminate:

Cool – Cools the room to the set temperature

Dehum – Reduces the humidity in the room

Fan – Circulates the air in the room without cooling

G POWER BUTTON

Turns ON/OFF power to the air conditioner.

NOTE: Turning o power by pressing the Power button does NOT disconnect the appliance from the power supply.

- Press the Power button. The Power indicator will illuminate.

REMOTE CONTROL

1. Insert the two batteries (provided).
2. Aim the remote control at the signal receiver on the control panel to operate the air conditioner.

H SLEEP BUTTON

Increases the set temperature by 2°F (1°C) after 2-hours, and then increases the temperature by an additional 2°F (1°C) after another 2-hours.

NOTE: The fan will operate at Low speed and cannot be adjusted while in Sleep mode.

Press the Sleep button to enter Sleep mode. The Sleep indicator will illuminate.

To Cancel Sleep Mode:

- Press the Sleep button or the Mode button (Cool, Fan or Dry) on the remote control.

I °C/°F BUTTON

• Press the °C/°F button to toggle between displaying the temperature in degrees Fahrenheit or degrees Celsius. The corresponding indicator will illuminate.

INDICATOR LIGHTS

Illuminate to indicate the selected mode, speed or condition.

J WATER FULL

The Water Full indicator illuminates, when the internal water tank has filled with condensed water. The air conditioner will turn o automatically. To drain the water tank, see "Air Conditioner Care" for instructions.

AIR CONDITIONER USE

IMPORTANT: If the air conditioner has been tilted on its side, wait 24 hours before turning on the air conditioner to allow the oil to return to the compressor. This will prevent the air conditioner from failing prematurely.

- Allow 20" (51 cm) of space around the unit for proper air circulation.
- Do Not operate the air conditioner without air filters in place.
- Do not spill liquid on the control panel; it may cause an electrical short to the interior electronic parts that would either disable them or cause them to function improperly.
- When turning on the air conditioner for the first time after plugging it into an electrical outlet, the unit will start in Cooling mode set at 75°F (24°C), and at High fan speed. The control panel will display the current room temperature.
- When turning on the unit after previous use, it will remember the last settings used.
- After a normal shut down, please wait for 3 minutes before restarting the unit.
- In Cooling mode, this unit should not require water to be removed. This model has a unique design that continuously evaporates the water.
- When the unit is operated in high humidity conditions, you may need to empty the water tank periodically.
- The unit will shut down automatically when the water tank is full. The Water Full indicator illuminates to alert you of this condition.

AIR CONDITIONER CARE

⚠ WARNING



Electrical Shock Hazard

Disconnect power before cleaning.

Failure to do so can result in death or electrical shock.

CLEANING

1. Unplug or disconnect power.
2. Use only a soft cloth dampened with water to clean the cabinet.

NOTE:

 - Do not use a liquid or spray cleaner to clean the air conditioner.
 - DO NOT use chemicals, abrasives, ammonia, chlorine bleach, concentrated detergents, solvents or scouring pads. Some of these chemicals/items may damage and/or discolor your air conditioner.
3. Dry thoroughly with a soft cloth.
4. Plug in or reconnect power.

AIR FILTERS

The air filters should be cleaned at least once a week for your unit to operate at optimum efficiency.

IMPORTANT: Do Not operate the air conditioner without air filters in place.

1. Unplug or disconnect power.
2. Pull on the tabs to slide out the filters from the back of the air conditioner.

NOTE: The secondary filters are accessible once the main filters are removed.
3. Wash or vacuum the dust from the air filters.

NOTE: If washed, gently shake the filter to remove the excess water and dust particles trapped in the filter.
4. Reinstall the filters.
5. Plug in or reconnect power.

INTERNAL WATER TANK

The Water Full indicator illuminates, when the internal water tank has filled with condensed water.

To Empty the Internal Water Tank:

1. Unplug or disconnect power.
2. Place a shallow 1 quart or larger pan (not included) below the lower drain located on the back (near the bottom) of the air conditioner.
3. Remove the cap and the rubber plug and drain the water tank.
4. Re-insert the drain plug and screw the cap snugly into place.
5. Plug in or reconnect power.

STORAGE

If the unit is not being used for a long period of time:

1. Unplug or disconnect power.
2. Drain the water from the water tank. See "Air Conditioner Care."
3. Use the original packaging to repack the unit to avoid a buildup of dust or dirt.
4. Store the air conditioner in a cool, dry location.

TROUBLESHOOTING

First try the solutions suggested here to possibly avoid the cost of a service call.

PROBLEM	POSSIBLE CAUSE(S)	SOLUTION
Unit does not start or operate	Power supply cord is not plugged into an outlet.	Plug the power cord into a grounded 3 prong outlet.
	Power supply cord has tripped.	Press and release the RESET button on the power supply cord.
	The Power button has not been pressed.	Press the Power button on the Control Panel or Remote Control to turn ON the air conditioner.
	There is no power to the electrical outlet.	Plug a working lamp into the outlet to check for power.
	A household fuse has blown or a circuit breaker has tripped.	Replace the fuse or reset the circuit breaker.
	The control was programmed for a Time Delay.	Cancel the Time Delay. See "Control Panel."
	The batteries in the remote control are dead.	Replace the batteries.
	The internal water tank is full. NOTE: The air conditioner automatically turns off, and the Water Full indicator illuminates to alert you of this condition.	Empty the water tank. See "Air Conditioner Care."
Remote control is not working	Batteries are dead.	Replace the batteries.
	Batteries are installed incorrectly.	Make sure the batteries are inserted in the correct position.
Air conditioner is working but the room is not cooling.	The room temperature is hot. NOTE: On extremely hot and humid days, the air conditioner will take longer to cool the room.	Allow time for the room to cool when you first turn on the unit. Make sure the air conditioner has an adequate BTU rating for the size of the room being cooled.
	The control is set incorrectly to Fan or Dehum mode.	Set the Mode to Cool and the Fan Speed to High.
	Airflow is restricted.	Remove any obstacles to the airflow and redirect airflow for uniform cooling.
	Temperature set too high.	Lower the set temperature.
	Air filters are dirty or restricted.	Clean the air filter. See "Air Conditioner Care."
	Air conditioner installed incorrectly	Check the exhaust hose and window panel for proper installation.
	Doors and windows are open.	Close the doors and windows to the room being cooled to prevent cooled air from escaping.

FOR MORE HELP, VISIT HAIERAMERICA.COM OR CALL THE CONSUMER HELP LINE AT 1-877-337-3639.

LIMITED WARRANTY

For The Period Of:	Will Replace:
One Year From the date of the original purchase	Replacement, repair, or refund of the original retail price for any product which fails due to a defect in materials or workmanship. If the unit is exchanged, the replacement unit is warranted for the remainder of your product's original one-year warranty period. GE will, at its sole discretion, replace the product with a product of the same or comparable functionality and quality or refund the original retail price.

In Order to Make a Warranty Claim During the First 90 Days from the Date of Original Purchase:

- Properly pack your unit. We recommend using the original carton and packing materials.
- Return the product to the retail location where it was purchased.
- Include in the package a copy of the sales receipt or other evidence of date of original purchase. Also print your name and address and a description of the defect.

In Order to Make a Warranty Claim During the Remainder of the One-Year Warranty:

- Locate your original sales receipt and make a note of your model and serial number.
- Call 1.877.337.3639 (in the United States) to initiate the product replacement process. In Canada, call 1.877.470.9174.
- You will be asked to provide your name, address, date of purchase, model and serial number.
- GE Appliances will arrange for a carton to be sent to your home to recover the product.
- Please return all requested materials (postage pre-paid) in the carton provided. Please include a description of the defect.
- You should receive your replacement product or refund within 7 to 10 business days after your package is received.

What Will Not Cover:

- Customer instruction. This owner's manual provides information regarding operating instructions and user controls.
- Improper installation. If you have an installation problem, or if the air conditioner is of improper capacity, contact your dealer or installer. You are responsible for providing adequate electrical connecting facilities.
- Failure of the product resulting from modifications to the product or due to unreasonable use including failure to provide reasonable and necessary maintenance.
- Replacement of house fuses or resetting of circuit breakers.
- Failure due to corrosion on models not corrosion-protected.
- Damage to the product caused by improper power supply voltage, accident, fire, floods or acts of God.
- Incidental or consequential damage caused by possible defects with this air conditioner.
- Damage caused after delivery.

EXCLUSION OF IMPLIED WARRANTIES - Your sole and exclusive remedy is product repair as provided in this Limited Warranty. Any implied warranties, including the implied warranties of merchantability or fitness for a particular purpose, are limited to one year or the shortest period allowed by law.

For US Customers: This warranty is extended to the original purchaser and any succeeding owner for products purchased for home use within the USA. If the product is located in an area where service by a GE Appliances Authorized Servicer is not available, you may be responsible for a trip charge or you may be required to bring the product to an Authorized GE Appliances Service location for service. In Alaska, the warranty excludes the cost of shipping or service calls to your home.

Some states do not allow the exclusion or limitation of incidental or consequential damages. This warranty gives you specific legal rights, and you may also have other rights which vary from state to state. To know what your legal rights are, consult your local or state consumer affairs office or your state's Attorney General.

Warrantor US:
GE Appliances, a Haier company

TABLE DES MATIÈRES

SÉCURITÉ DU CLIMATISEUR	13
PIÈCES ET CARACTÉRISTIQUES	14
EXIGENCES D'INSTALLATION	14
Outillage et pièces	14
Exigences d'emplacement	15
Spécifications électriques	15
INSTRUCTIONS D'INSTALLATION	16
Étape 1 - Déballage du climatiseur	16
Étape 2 - Installation de la buse d'évacuation sur le panneau de fenêtre principal	16
Étape 3 - Installation du panneau de fenêtre principal et des panneaux de raccord	16
Étape 4 - Raccordement du tuyau d'évacuation à la buse d'évacuation	18
Étape 5 - Raccorder le tuyau d'évacuation pour la climatiseur	18
Étape 6 - Fin de l'installation	18
TABLEAU DE COMMANDE	19
Boutons	19
Télécommande	20
Témoins lumineux	20
UTILISATION DU CLIMATISEUR	20
ENTRETIEN DU CLIMATISEUR	21
Nettoyage	21
Filtres à air	21
Réservoir d'eau interne	21
Rangement	21
DÉPANNAGE	21
GARANTIE LIMITÉE	22
DOCUMENTS À CONSERVER	12

DOCUMENTS À CONSERVER

Merci d'avoir acheté ce produit Haier. Ce manuel d'utilisation vous aidera à obtenir la meilleure performance possible de votre climatiseur.

Numéro de modèle

Pour référence ultérieure, inscrire le numéro de plaque signalétique et la date d'achat. La plaque signalétique est située sur une étiquette sur le côté de votre climatiseur.

Numéro de série

Pour faciliter l'obtention d'un service sous garantie, agraffer la preuve de la date d'achat à ce manuel.

Date d'achat

SÉCURITÉ DU CLIMATISEUR

Votre sécurité et celle des autres est très importante.

Nous donnons de nombreux messages de sécurité importants dans ce manuel et sur votre appareil ménager. Assurez-vous de toujours lire tous les messages de sécurité et de vous y conformer.



Voici le symbole d'alerte de sécurité.

Ce symbole d'alerte de sécurité vous signale les dangers potentiels de décès et de blessures graves à vous et à d'autres. Tous les messages de sécurité suivront le symbole d'alerte de sécurité et le mot "DANGER," "AVERTISSEMENT" ou "ATTENTION."

Ces mots signifient :

 **DANGER**

Une situation de danger imminent. Vous courez le risque d'un décès ou de blessures graves si vous ne suivez pas immédiatement les instructions.

 **AVERTISSEMENT**

Une situation potentiellement dangereuse qui, si vous ne l'évitez pas, peut provoquer la mort ou des blessures graves.

 **ATTENTION**

Une situation potentiellement dangereuse qui, si vous ne l'évitez pas, peut entraîner des blessures légères à modérées.

Tous les messages de sécurité vous diront quel est le danger potentiel et vous disent comment réduire le risque de blessure et ce qui peut se produire en cas de non-respect des instructions.

IMPORTANTES INSTRUCTIONS DE SÉCURITÉ

AVERTISSEMENT : An de réduire le risque d'incendie, de choc électrique, de blessures corporelles ou de dommage lors de l'utilisation du climatiseur, il convient d'observer certaines précautions fondamentales, notamment :

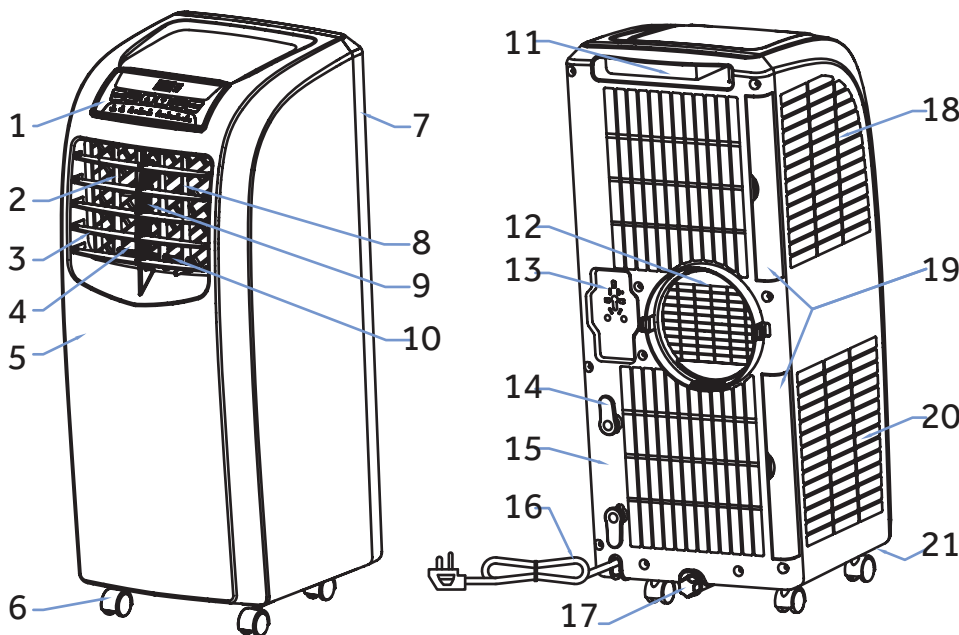
- Lire toutes les instructions avant d'utiliser cet appareil.
- Brancher sur une prise à 3 alvéoles reliée à la terre.
- Ne pas enlever la prise de liaison à la terre.
- Ne pas utiliser d'adaptateur.
- Ne pas utiliser de rallonge.
- Ne pas faire fonctionner le climatiseur si la prise ou le câble est endommagé(e), si l'appareil ne fonctionne pas correctement, s'il est tombé par terre ou a été endommagé.
- Seul du personnel d'entretien qualifié est habilité à effectuer une intervention d'entretien sur le climatiseur. Contacter le centre de service agréé le plus proche pour examen, réparation ou réglage.
- Déconnecter la source de courant électrique avant l'entretien.
- Déconnecter la source de courant électrique avant le nettoyage.

REMARQUE : Éteindre l'appareil en appuyant sur le bouton Power (mise sous tension) ne débranche PAS l'appareil de l'alimentation électrique.

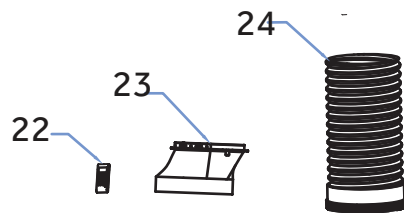
- Ne pas installer le climatiseur ou l'utiliser dans une zone dont l'atmosphère contient des gaz combustibles ou dont l'atmosphère est contaminée. Éviter les contacts entre tout produit chimique et le climatiseur.
- Ne rien remiser directement au-dessus du climatiseur.
- Utiliser deux personnes ou plus pour déplacer et installer le climatiseur.
- Ne jamais faire fonctionner le climatiseur si les filtres ne sont pas en place.
- Ne pas faire fonctionner le climatiseur à proximité d'une baignoire, d'une douche, d'un lavabo ou de toute zone humide.

LIRE ET CONSERVER CES INSTRUCTIONS

PIÈCES ET CARACTÉRISTIQUES



- 1 Tableau de commande
- 2 Grille d'aération verticale
- 3 Grille d'aération horizontale
- 4 Cadre de la sortie d'air
- 5 Enveloppe antérieure
- 6 Roulette
- 7 Enveloppe postérieure
- 8 Louvre vertical principal
- 9 Tringle de liaison de la grille d'aération horizontale
- 10 Tringle de liaison de la grille d'aération verticale
- 11 Poignée (côté droit pour ranger la télécommande)
- 12 Grille de protection de l'orifice d'évacuation
- 13 Trous de fixation pour prise universelle
- 14 Support d'enroulement du cordon
- 15 Enveloppe postérieure
- 16 Cordon d'alimentation
- 17 Orifice de vidange et couvercle
- 18 Filtre
- 19 Filtres
- 20 Filtre
- 21 Châssis
- 22 Télécommande
- 23 Adaptateur de tuyau d'évacuation
- 24 Tuyau d'évacuation assemblé



FRANÇAIS

EXIGENCES D'INSTALLATION

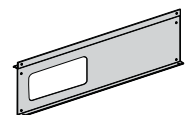
OUTILLAGE ET PIÈCES

Rassembler les outils et pièces nécessaires avant d'entreprendre l'installation.

OUTILS NÉCESSAIRES

- Tournevis à lame plate
- Tournevis Phillips

PIÈCES FOURNIES



- Panneau de fenêtre principal



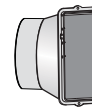
- Panneaux de raccord (2)



- Vis à bout plat (6) (4) pour les panneaux de raccord (2) pour les buses



- Vis à bout pointu (7) (2) pour le support de fenêtre (1) pour la bride de sécurité (4) pour la fixation du panneau de fenêtre



- Buse d'évacuation



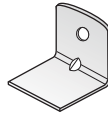
- Tuyau d'évacuation (1 ou 2 selon le modèle)



- Support de fenêtre supérieur (2)



- Support de fenêtre inférieur (2)



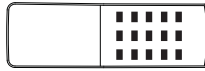
- Bride



- Bande de mousse supérieure (10 mm x 10 mm x 102 cm)



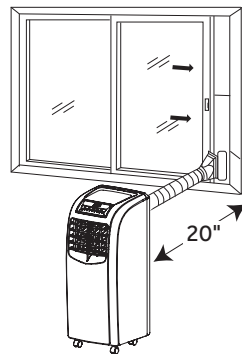
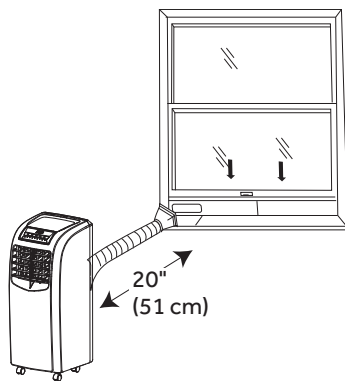
- Bande de mousse inférieure (10 mm x 10 mm x 102 cm)



- Télécommande
- Piles (2)

EXIGENCES D'EMPLACEMENT

- Placer le climatiseur sur une surface plane et horizontale à une distance de 20" (51 cm) au minimum de tout mur.
NOTE: La distance recommandée par rapport à la fenêtre pour une performance optimale est de 30 po (76 cm).
- Maintenir un dégagement de 20" (51 cm) au minimum autour du climatiseur afin de ne pas entraver la circulation d'air.
- Ne pas obstruer le climatiseur de quelque manière que ce soit (rideaux, stores, etc).
- Le tuyau d'évacuation doit être dégagé de toute obstruction.
- Ne pas placer le climatiseur sur une surface instable ou surélevée. Celui-ci pourrait basculer et occasionner des dommages ou des blessures.
- Placer le climatiseur à l'abri de la lumière directe du soleil ou d'une source de chaleur (planchettes chauffantes, cuisinières, etc).
- Le panneau de fenêtre peut être installé sur une fenêtre d'une ouverture de 20" (51 cm) minimum à 40" (101,6 cm) maximum.



SPÉCIFICATIONS ÉLECTRIQUES

⚠ AVERTISSEMENT



Risque de choc électrique

Brancher sur une prise à 3 alvéoles reliée à la terre.

Ne pas enlever la broche de liaison à la terre du cordon d'alimentation.

Ne pas utiliser un adaptateur.

Ne pas utiliser un câble de rallonge.

Le non-respect de cette instruction pourrait causer un décès, un incendie ou un choc électrique.

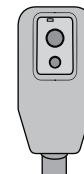
CORDON D'ALIMENTATION ÉLECTRIQUE

Spécifications du câblage

- 115 V, 60 Hz, 15 ampères, protégé par fusible et relié à la terre.
- On recommande l'emploi d'un disjoncteur ou fusible temporisé.
 - Utiliser uniquement un circuit distinct.

Ne faire fonctionner aucun autre appareil électrique sur ce circuit, car cela pourrait déclencher le disjoncteur ou griller les fusibles.

Si le cordon d'alimentation est endommagé, celui-ci ne peut pas être réparé. Il doit être remplacé par un cordon d'alimentation fourni par le fabricant du produit. Si le cordon d'alimentation électrique est endommagé, contacter le service à la clientèle de Haier au 1-877-337-3639.

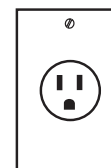


Pour tester le cordon d'alimentation avant utilisation

1. Brancher le cordon d'alimentation dans une prise à 3 alvéoles reliée à la terre.
2. Appuyer sur le bouton Test, puis appuyer et relâcher le bouton Reset (réinitialisation) pour rétablir l'alimentation.

MÉTHODE DE LIAISON À LA TERRE REQUISE

Ce climatiseur doit être relié à la terre. Le climatiseur est équipé d'un cordon d'alimentation électrique à trois broches pour la liaison à la terre. Le cordon d'alimentation doit être branché sur une prise de courant de configuration correspondante, à 3 alvéoles, reliée à la terre et installée conformément à tous les codes et règlements locaux.



115 V
15 Amp

INSTRUCTIONS D'INSTALLATION

ÉTAPE 1 - DÉBALLAGE DU CLIMATISEUR

⚠ AVERTISSEMENT

Risque du poids excessif

Utiliser deux ou plus de personnes pour déplacer et installer le climatiseur.

Le non-respect de cette instruction peut causer une blessure au dos ou d'autres blessures.

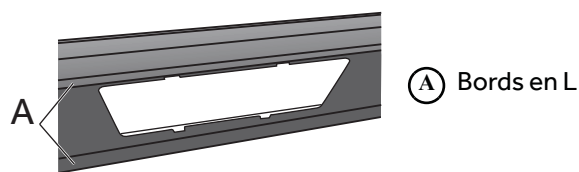
- Enlever les matériaux d'emballage. Conserver le carton et le polystyrène d'emballage pour entreposer le climatiseur lorsqu'il n'est pas utilisé.

REMARQUE : Il n'y a AUCUN matériau d'emballage à retirer à l'intérieur du climatiseur - Ne pas ouvrir la caisse.

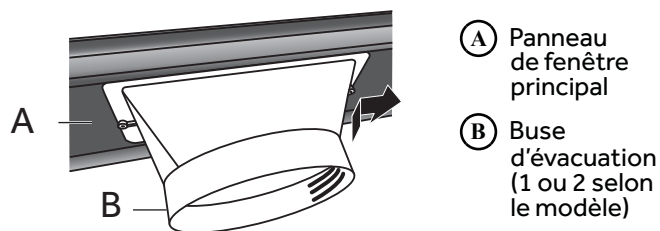
- Jeter/recycler tous les matériaux d'emballage de manière adéquate.
- Manipuler le climatiseur délicatement.
- Garder le climatiseur debout et d'aplomb. Ne pas placer le climatiseur sur le flanc, sur l'avant, sur le dos ou à l'envers.

ÉTAPE 2 - INSTALLATION DE LA BUSE D'ÉVACUATION SUR LE PANNEAU DE FENÊTRE PRINCIPAL

1. Tenir le panneau de fenêtre principal de manière à ce que les bords en L de la plaque soient face à vous.

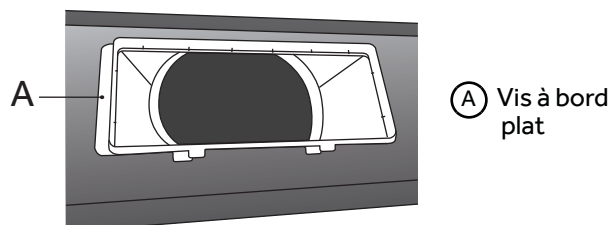


2. Aligner la buse d'évacuation avec les encoches de l'ouverture, puis insérer et faire glisser la buse pour accéder à l'orgie à l'arrière du panneau de fenêtre principal.



3. Retourner le panneau de fenêtre principal de sorte que la buse soit éloignée. Insérer une vis à bout plat dans le trou au-dessus de la buse pour fixer le panneau de fenêtre à l'adaptateur.

REMARQUE : Pour les modèles à deux tuyaux, installer la buse du petit tuyau sur le trou situé à gauche du panneau.



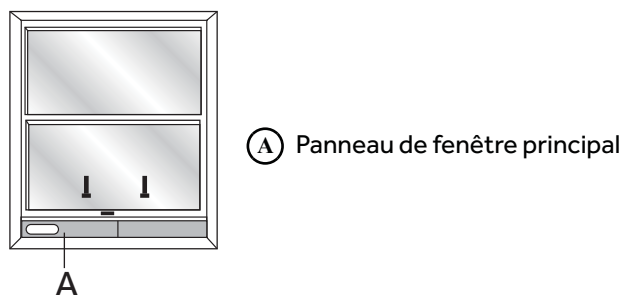
ÉTAPE 3 - INSTALLATION DU PANNEAU DE FENÊTRE PRINCIPAL ET DES PANNEAUX DE RACCORD

REMARQUE : En fonction des dimensions de l'ouverture de votre fenêtre, utiliser le panneau principal avec l'un des panneaux de raccord ou les deux.

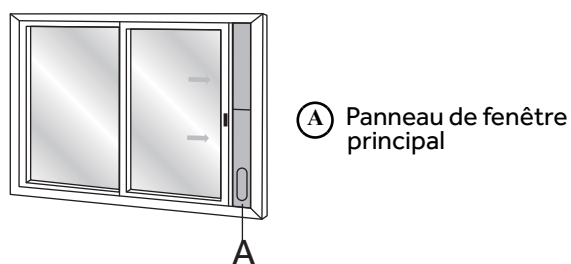
1. Ouvrir la fenêtre et placer le panneau de fenêtre principal dans la fenêtre.

REMARQUE : Le panneau de fenêtre est conçu pour une installation sur une fenêtre à coulissement vertical ou horizontal.

Fenêtre à coulissement vertical



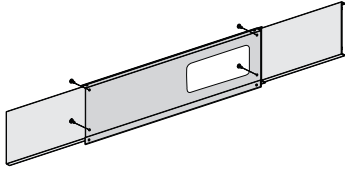
Fenêtre à coulissement horizontal



2. Régler le ou les panneau(x) de raccord pour s'adapter à la largeur ou à la hauteur de la fenêtre comme illustré.

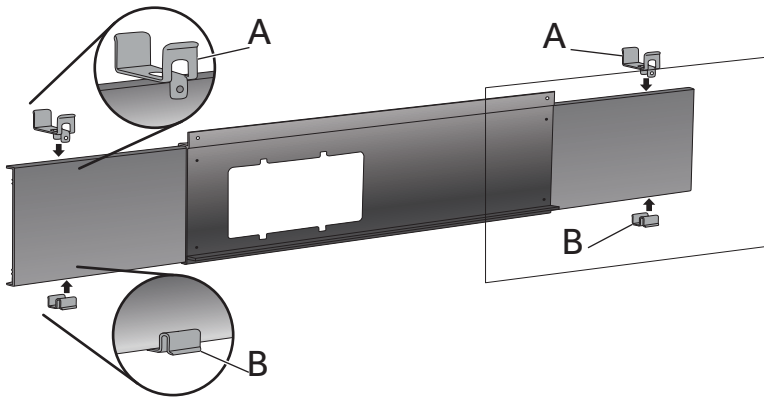
REMARQUE : Certaines installations peuvent nécessiter de couper les panneaux de raccord pour les ajuster à la fenêtre.

3. En fonction du nombre de panneaux de raccord utilisés, fixer le panneau principal au(x) panneau(x) de raccord à l'aide de deux ou de quatre vis à bout plat.



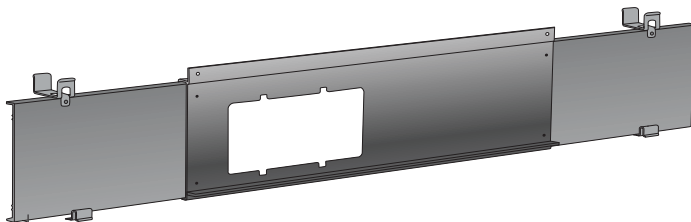
4. Positionner les deux supports de fenêtre supérieurs et les deux supports de fenêtre inférieurs de sorte à maintenir au mieux le ou les panneaux de raccord.

Avant assemblage

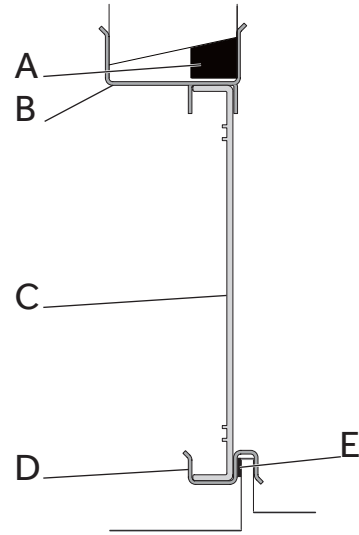


- Ⓐ Supports de fenêtre supérieurs
- Ⓑ Supports de fenêtre inférieurs

Après assemblage

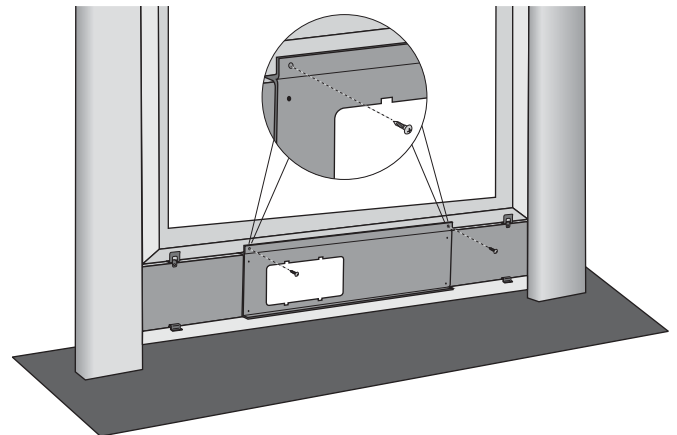


5. Appliquer la bande de mousse supérieure (fournie) sur toute la longueur supérieure du panneau de fenêtre, puis appliquer la bande de mousse inférieure (fournie) sur toute la longueur du bord avant inférieur du panneau, tel qu'illustré.



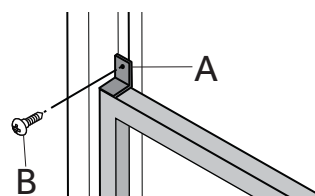
- Ⓐ Bande de mousse supérieure
- Ⓑ Support supérieur
- Ⓒ Panneau de raccord
- Ⓓ Support inférieur
- Ⓔ Bande de mousse inférieure

6. Fixer le panneau sur la fenêtre au moyen des vis fournies, en serrant les vis sur le rebord et le cadre de la fenêtre.



7. Installer la bride de sécurité sur la fenêtre à l'aide d'une vis à bout pointu.

REMARQUE : La bride de sécurité empêche la fenêtre de s'ouvrir de l'extérieur.



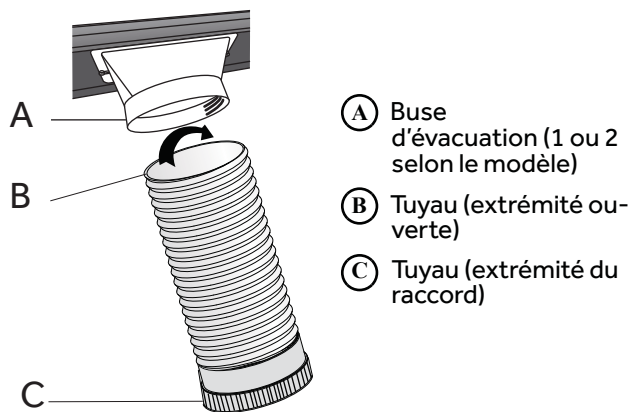
- Ⓐ Bride de sécurité
- Ⓑ Vis pointu (1)

ÉTAPE 4 - RACCORDEMENT DU TUYAU D'ÉVACUATION À LA BUSE D'ÉVACUATION

1. Saisir le tuyau d'évacuation par les deux extrémités et tirer doucement pour déployer le tuyau.

REMARQUE : Ne pas ajouter de tuyaux supplémentaires pour allonger la longueur. Cela diminuerait l'efficacité du refroidissement et pourrait endommager le climatiseur.

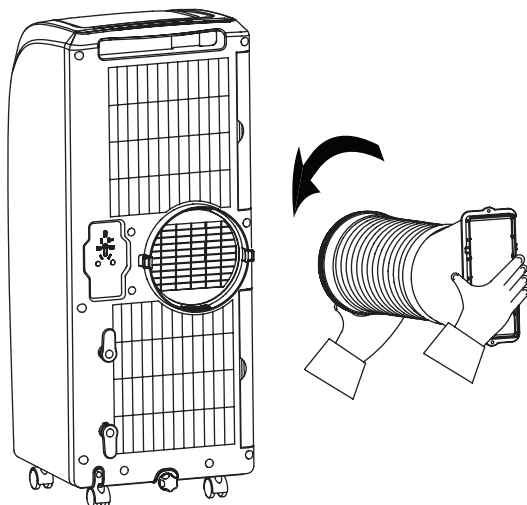
2. Raccorder l'extrémité ouverte du tuyau d'évacuation à la buse d'évacuation en tournant dans le sens antihoraire.



ÉTAPE 5 - RACCORDER LE TUYAU D'ÉVACUATION POUR LA CLIMATISEUR

IMPORTANT : Lors de la connexion du tuyau, le climatiseur doit être assez près de la fenêtre que vous ne serez pas déloger la plaque d'étanchéité de la fenêtre. Une fois que le tuyau est raccordé, déplacer le climatiseur 20" (51 cm) de la paroi.

1. Aligner les encoches sur l'extrémité du connecteur du tuyau d'échappement avec des crêtes dans l'ouverture à l'arrière du conditionneur d'air.
2. En tournant dans le sens antihoraire, visser le tuyau d'évacuation (extrémité avec raccord) dans la sortie d'air, située à l'arrière du climatiseur.



ÉTAPE 6 - FIN DE L'INSTALLATION

⚠ AVERTISSEMENT



Risque de choc électrique

Brancher sur une prise à 3 alvéoles reliée à la terre.

Ne pas enlever la broche de liaison à la terre du cordon d'alimentation.

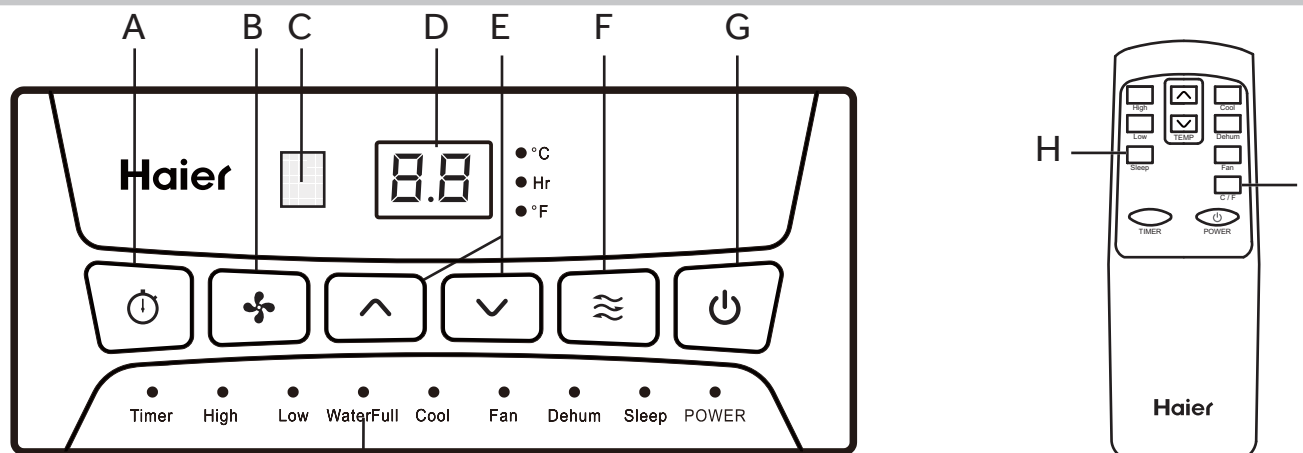
Ne pas utiliser un adaptateur.

Ne pas utiliser un câble de rallonge.

Le non-respect de cette instruction pourrait causer un décès, un incendie ou un choc électrique.

1. Brancher le cordon d'alimentation dans une prise à 3 alvéoles reliée à la terre.
2. Appuyer sur le bouton Reset (réinitialisation) sur le cordon d'alimentation pour s'assurer que la prise de sécurité alimente le climatiseur.

TABLEAU DE COMMANDE



BOUTONS

A BOUTON DE MINUTERIE

Programmer une durée de 1 heure à 24 heures pour éteindre ou allumer le climatiseur. Lorsqu'une durée différée est programmée, le témoin Timer (minuterie) s'allume.

Lorsque le climatiseur fonctionne :

1. Appuyer sur le bouton Timer (minuterie).
2. Appuyer sur les flèches haut ou bas pour sélectionner le nombre d'heures supplémentaires de fonctionnement avant que l'appareil ne s'éteigne.

REMARQUE : Attendre environ 5 secondes pour enregistrer l'heure à laquelle le climatiseur doit s'éteindre.

Lorsque le climatiseur ne fonctionne pas :

1. Appuyer sur le bouton Timer (minuterie).
2. Appuyer sur les flèches haut ou bas pour sélectionner la durée en heures au bout de laquelle l'appareil se mettra en marche.

REMARQUE : Attendre environ 5 secondes pour enregistrer l'heure à laquelle le climatiseur doit se mettre en marche.

Annulation de la minuterie :

- Appuyer une fois sur le bouton de minuterie, la durée résiduelle en heure clignote, appuyer de nouveau sur le bouton de minuterie pour annuler la minuterie.

B BOUTON DE VITESSE DU VENTILATEUR

La vitesse du ventilateur peut être réglée de basse à levée selon que le climatiseur est en fonctionnement.

REMARQUE : La vitesse du ventilateur ne peut pas être réglée lorsque l'appareil est en mode Dehum (déshumidifier).

- Appuyer sur le bouton Fan Speed (vitesse du ventilateur) pour alterner entre les deux vitesses. Le témoin correspondant à la vitesse du ventilateur s'allume.

C FENÊTRE DE SIGNAL DE LA TÉLÉCOMMANDE

Pointer la télécommande vers cette fenêtre pour que le tableau de commande reçoive le signal.

D AFFICHAGE DU TABLEAU DE COMMANDE

Affiche la température réglée en degrés Fahrenheit ou en degrés Celsius, ou la durée résiduelle en heures pour une mise sous ou hors tension différée. Le témoin correspondant s'allumera.

E BOUTONS DE FLÈCHES HAUT/BAS

Règlent la température ou une durée différée en heures.

Réglage de la température :

La température peut être réglée à 62 °F et 86 °F (17 °C et 30 °C) lorsque le climatiseur est en mode de refroidissement.

1. Appuyer sur le bouton Mode jusqu'à ce que le mode Cool (refroidissement) soit sélectionné.
2. Appuyer sur les flèches haut/bas pour sélectionner la température.

REMARQUE : La température ne peut pas être réglée lorsque le climatiseur est en mode Fan (ventilateur) ou Dehum (déshumidifier).

REMARQUE : Appuyer en même temps sur la flèche ascendante et la flèche descendante permet de sélectionner le mode fléchage de la température en °C ou °F. Le témoin correspondant s'allume.

F BOUTON DE SÉLECTION DU MODE

Appuyer sur le bouton de sélection du mode pour alterner entre options de fonctionnement. Le témoin correspondant s'allume :

Heat (chaleur) (sur certains modèles) - Chauffe la pièce à la température réglée

Cool (refroidissement) - Refroidit la pièce à la température réglée

Dehum (déshumidifier) - Atténue l'humidité dans la pièce

Fan (ventilateur) - Fait circuler l'air dans la pièce sans la refroidir

G BOUTON POWER (MISE SOUS TENSION)

Appuyer sur le bouton de mise sous tension pour mettre en marche le climatiseur.

REMARQUE : Éteindre l'appareil en appuyant sur le bouton Power (mise sous tension) ne débranche PAS l'appareil de l'alimentation électrique.

- Appuyer sur le bouton de mise sous tension. Le témoin Power (mise sous tension) s'allume.

TÉLÉCOMMANDE

1. Insérer les deux piles (fournies).
2. Pointer la télécommande vers la fenêtre de réception du signal sur le tableau de commande pour faire fonctionner le climatiseur.

H BOUTON SLEEP (SOMMEIL)

Augmente la température réglée de 2 °F (1 °C) après 2 heures, puis l'augmente de nouveau de 2 °F (1 °C) après 2 heures supplémentaires.

REMARQUE : Le ventilateur fonctionne à vitesse basse et ne peut pas être réglé en mode Sleep (sommeil).

Appuyer sur le bouton Sleep (sommeil) pour accéder au mode Sleep (sommeil). Le témoin Sleep (sommeil) s'allume.

Annulation du mode Sleep (sommeil) :

- Appuyer sur le bouton Sleep (sommeil) ou le bouton Mode sur la télécommande.

I BOUTON °C/°F :

- Appuyer sur le bouton Sleep (sommeil) ou tout autre bouton de mode (Cool, Fan ou Dry) sur la télécommande.

TÉMOINS LUMINEUX

S'allument pour indiquer le mode, la vitesse ou la condition sélectionné(e).

J WATER FULL (RÉSERVOIR D'EAU PLEIN)

Le témoin Water Full (réservoir d'eau plein) s'allume lorsque le réservoir d'eau interne est rempli d'eau de condensation. Le climatiseur s'éteint automatiquement. Pour vidanger le réservoir d'eau, consulter les instructions à la section "Entretien du climatiseur".

UTILISATION DU CLIMATISEUR

IMPORTANT : Si le climatiseur a été incliné sur le côté, patienter 24 heures avant de le remettre en marche pour laisser le temps à l'huile de rejoindre le compresseur. Cela évitera au climatiseur de tomber en panne prématurément.

- Laisser un dégagement de 20" (51 cm) autour de l'appareil pour permettre à l'air de circuler correctement.
- Ne Pas faire fonctionner le climatiseur si les filtres à air ne sont pas en place.
- Ne pas renverser de liquide sur le tableau de commande; cela pourrait provoquer un court-circuit électrique vers les composants électroniques intérieurs et entraîner leur désactivation ou leur dysfonctionnement.
- Lorsque l'on allume le climatiseur pour la première fois après l'avoir branché sur une prise électrique, l'appareil démarre en mode de refroidissement réglé sur 75 °F (24 °C), et sur une vitesse de ventilateur élevée. Le tableau de commande affiche la température actuelle de la pièce.
- Lorsque l'appareil est rallumé, les réglages précédemment utilisés sont mémorisés.
- Après avoir éteint l'appareil selon la procédure normale, attendre 3 minutes avant de redémarrer l'appareil.
- En mode de refroidissement, il n'est pas nécessaire de retirer de l'eau de l'appareil. Ce modèle unique a été conçu de manière à évaporer l'eau de façon continue.
- Lorsque l'appareil fonctionne dans un environnement très humide, il peut être nécessaire de vider le réservoir d'eau régulièrement.
- L'appareil s'éteint automatiquement lorsque le réservoir d'eau est plein. À ce moment-là, le témoin Water Full (réservoir d'eau plein) s'allume pour vous avertir.

ENTRETIEN DU CLIMATISEUR

⚠ AVERTISSEMENT



Risque de choc électrique

Déconnecter la source de courant électrique avant le nettoyage.

Le non-respect de cette instruction peut causer un décès ou un choc électrique.

NETTOYAGE

1. Débrancher ou déconnecter la source de courant électrique.
2. Nettoyer la caisse avec un chiffon doux humidifié à l'eau uniquement.

REMARQUE :

• Ne pas utiliser de nettoyant liquide ou en aérosol pour nettoyer le climatiseur.

• NE PAS utiliser de produits chimiques, de produits abrasifs, d'ammoniaque, d'agent de blanchiment, de détergents concentrés, de solvants ou de tampons à recurer. Certains de ces produits chimiques/articles peuvent endommager et/ou décolorer le climatiseur.

3. Sécher soigneusement avec un chiffon doux.
4. Brancher l'appareil ou reconnecter la source de courant électrique.

FILTRES À AIR

Les filtres à air doivent être nettoyés au minimum une fois par semaine pour que l'appareil fonctionne à un niveau d'efficacité optimal.

IMPORTANT : Ne Pas faire fonctionner le climatiseur si les filtres à air ne sont pas en place.

1. Débrancher ou déconnecter la source de courant électrique.

2. Tirer sur les pattes pour faire coulisser les filtres et les dégager de l'arrière du climatiseur.

REMARQUE : Les filtres secondaires sont accessibles une fois que les filtres principaux ont été retirés.

3. Éliminer la poussière en lavant les filtres ou à l'aide d'un aspirateur.

REMARQUE : Si les filtres sont lavés, les secouer doucement pour éliminer le surplus d'eau et de particules de poussière piégées dans le filtre.

4. Réinstaller les filtres.
5. Brancher l'appareil ou reconnecter la source de courant électrique.

RÉSERVOIR D'EAU INTERNE

Le témoin Water Full (réservoir d'eau plein) s'allume lorsque le réservoir d'eau interne est rempli d'eau de condensation.

Vidage du réservoir d'eau interne :

1. Débrancher ou déconnecter la source de courant électrique.
2. Placer un récipient creux d'une capacité minimale de 1 pinte (non inclus) sous l'orgie de vidange inférieur situé à l'arrière du climatiseur (près du fond).
3. Retirer le capuchon et le bouchon en caoutchouc et vidanger le réservoir d'eau.
4. Réinstaller le bouchon de vidange et visser solidement le capuchon.
5. Brancher l'appareil ou reconnecter la source de courant électrique.

RANGEMENT

Lors de longues périodes infantilisation de l'appareil :

1. Débrancher ou déconnecter la source de courant électrique.
2. Vidanger l'eau du réservoir d'eau. Voir "Entretien du climatiseur".
3. Mettre l'appareil dans son emballage d'origine pour éviter une accumulation de poussière ou de saleté.
4. Entreposer le climatiseur dans un endroit frais et sec.

DÉPANNAGE

Essayez tout d'abord les solutions suggérées ici et évitez les coûts pour le service de réparation.

PROBLÈME	CAUSE(S) POSSIBLE(S)	SOLUTION
L'appareil ne se met pas en marche ou ne fonctionne pas	Le cordon d'alimentation n'est pas raccordé à une prise murale.	Brancher le cordon d'alimentation dans une prise à 3 alvéoles reliée à la terre.
	Quelqu'un a trébuché sur le cordon d'alimentation.	Appuyer et relâcher le bouton RESET (réinitialisation) sur le cordon d'alimentation.
	Le bouton de mise sous tension Power n'a pas été enfoncé.	Appuyer sur le bouton de mise sous tension sur le tableau de commande ou la télécommande pour ALLUMER le climatiseur.
	La prise électrique n'est pas alimentée.	Brancher une lampe en état de marche sur la prise pour vérifier si celle-ci est alimentée.
	Un fusible est grillé ou un disjoncteur s'est déclenché.	Remplacer le fusible ou réenclencher le disjoncteur.
	La commande a été programmée pour un e mise en marche différée.	Annuler la mise en marche différée. Voir "Tableau de commande".
	Les piles de la télécommande sont épuisées.	Remplacer les piles.
	Le réservoir d'eau interne est plein. REMARQUE : Le climatiseur s'éteint automatiquement et le témoin de réservoir d'eau plein s'allume pour vous avertir.	Vider le réservoir d'eau. Voir "Entretien du climatiseur".
La télécommande ne fonctionne pas.	Les piles sont usées.	Remplacer les piles.
	Les piles n'ont pas été insérées correctement.	Vérifier que les piles sont insérées dans le bon sens.
Le climatiseur fonctionne mais la pièce ne refroidit pas.	La température de la pièce est élevée. REMARQUE : Durant les journées très chaudes et humides, le climatiseur met plus longtemps à refroidir la pièce.	Lors d'une première utilisation, le refroidissement de la pièce prend plus de temps. S'assurer que le débit thermique du climatiseur est approprié aux dimensions de la pièce à refroidir.
	La commande a été incorrectement réglée sur le mode Fan (ventilateur) ou Dehum (déshumidifier).	Régler l'appareil en mode Cool (refroidissement) et la vitesse du ventilateur sur High (élevée).
	Le débit d'air est obstrué.	Dégager tout obstacle obstruant le débit d'air et rediriger le débit d'air pour un refroidissement homogène.
	La température a été réglée à un niveau trop élevé.	Diminuer le réglage de la température.
	Les filtres à air sont sales ou obstrués.	Nettoyer le filtre à air. Voir "Entretien du climatiseur".
	Le climatiseur a été incorrectement installé.	Vérifier si le tuyau d'évacuation et le panneau de fenêtre ont été correctement installés.
	Les portes et les fenêtres sont ouvertes.	Fermer les portes et les fenêtres de la pièce à refroidir pour éviter que l'air froid ne s'échappe.

POUR OBTENIR DE L'AIDE SUPPLÉMENTAIRE, VISITER HAIERAMERICA.COM OU CONTACTER LA LIGNE D'ASSISTANCE À LA CLIENTÈLE AU 1-877-337-3639.

GARANTIE LIMITÉE

Pendant cette période :	GE effectuera :
Un an à partir de la date d'achat d'origine	Le remplacement, la réparation ou le remboursement du prix de détail d'origine de tout produit dont la défaillance est causée par une vice de matière ou de fabrication. Si l'appareil fait l'objet d'un remplacement, l'appareil de substitution est couvert pendant la période restante de la garantie d'origine d'un an de votre produit. GE Appliances procédera, à sa discrétion, au remplacement du produit par un autre d'une fonctionnalité et d'une qualité identique ou comparable, ou au remboursement du prix de détail d'origine.

Pour effectuer une réclamation sous garantie pendant les premiers 90 jours à partir de la date d'achat initiale :

- Emballer le produit correctement. Nous recommandons l'utilisation de la boîte et du matériel d'emballage d'origine.
- Inclure dans l'emballage une copie du reçu de caisse ou une autre preuve de la date d'achat initial. Imprimer aussi votre nom et votre adresse ainsi qu'une description de la défectuosité.
- Retourner le produit au point de vente de détail où il a été acheté.

Pour effectuer une réclamation sous garantie pendant la période restante de la garantie d'un an :

- Rechercher votre reçu de caisse d'origine et prendre note des numéros de modèle et de série.
- Veiller à retourner tout le matériel requis (port payé) dans la boîte d'emballage fournie. Ne pas oublier d'inclure une description de la défectuosité.
- Composer le 1.877.337.3639 (aux États-Unis) pour démarrer la procédure de remplacement du produit. Au Canada, composer le 1.877.470.9174.
- Votre produit de remplacement ou votre remboursement devrait vous parvenir dans un délai de 7 à 10 jours ouvrables après réception de votre emballage d'expédition.
- On vous demandera de fournir votre nom, votre adresse, la date d'achat et les numéros de modèle et de série.
- GE Appliances s'occupera de faire livrer une boîte d'emballage à votre domicile pour récupérer le produit.

Ce qui n'est pas couvert :

- Les instructions au client. Ce manuel d'utilisation contient des renseignements sur l'utilisation et les commandes de l'appareil.
- Le remplacement des fusibles du domicile ou le réarmement des disjoncteurs.
- Une installation incorrecte. En cas de problème d'installation, ou si la capacité du climatiseur est incorrecte, communiquer avec votre revendeur ou votre installateur. Il est de votre responsabilité de procurer un équipement électrique de branchement adéquat.
- Une défectuosité causée par la corrosion sur les modèles qui ne sont pas protégés contre celle-ci.
- Une défectuosité du produit résultant d'une modification du produit ou d'une utilisation déraisonnable, y compris de l'omission d'effectuer un entretien raisonnable et nécessaire.
- Tout dommage occasionné par une tension d'alimentation inappropriée, un accident, un incendie, une inondation ou d'autres catastrophes naturelles.
- Les dommages accessoires ou indirects causés par d'éventuels défauts de ce climatiseur.
- Les dommages survenus après la livraison.

EXCLUSION DES GARANTIES IMPLICITES – Votre seul et unique recours consiste dans la réparation du produit tel que stipulé dans la présente garantie limitée. Toute garantie implicite, y compris les garanties implicites relatives à la qualité marchande ou à l'adéquation à un usage particulier, se limitera à une période d'un an ou à la période la plus courte prescrite par la loi.

Clients des États-Unis Cette garantie est offerte à l'acheteur initial et à tout propriétaire subséquent d'un produit acheté aux États-Unis à des fins d'usage domestique. Si le produit est situé dans une localité où un réparateur autorisé GE Appliances n'est pas disponible, vous pourriez encourir des frais de déplacement ou devoir acheminer le produit à un réparateur autorisé GE Appliances pour faire réparer l'appareil. En Alaska, cette garantie exclut les frais d'expédition et les visites de service à votre domicile.

Certains États ou provinces ne permettent pas l'exclusion ou la restriction des dommages accessoires ou indirects. Certains droits particuliers vous sont dévolus en vertu de la présente garantie et peuvent s'accompagner d'autres droits qui varient selon votre lieu de résidence. Pour connaître la nature exacte de vos droits, consultez l'organisme de protection du consommateur de votre région, ou encore le bureau du procureur général de l'État.

Garant, Nous :

GE Appliances, a Haier company

ÍNDICE

SEGURIDAD DEL ACONDICIONADOR DE AIRE	25
PIEZAS Y CARACTERÍSTICAS	26
REQUISITOS DE INSTALACIÓN	26
Herramientas y piezas	26
Requisitos de ubicación	27
Requisitos eléctricos	27
INSTRUCCIONES DE INSTALACIÓN	28
Paso 1 - Desempaque su acondicionador de aire	28
Paso 2 - Instalar una boquilla de escape en el panel de la ventana principal	28
Paso 3 - Instalar el panel principal de la ventana y los paneles de extensión	28
Paso 4 - Sujete la manguera de escape a la boquilla de escape	30
Paso 5 - Conecte la manguera de escape para el acondicionador de aire	30
Paso 6 - Complete la instalación	30
PANEL DE CONTROL	31
Botones	31
Control remoto	32
Luces indicadoras	32
USO DEL ACONDICIONADOR DE AIRE	32
CUIDADO DEL ACONDICIONADOR DE AIRE	33
Limpieza	33
Filtros de aire	33
Tanque de agua interno	33
Almacenamiento	33
SOLUCIÓN DE PROBLEMAS	34
GARANTÍA LIMITADA	35
INFORMACIÓN A TENER EN CUENTA	24

INFORMACIÓN A TENER EN CUENTA

Le agradecemos la compra de este producto de marca Haier. Este manual para el usuario le ayudará a obtener el mejor funcionamiento de su nueva acondicionador de aire.

Para referencia futura, anote el modelo y número de serie en la etiqueta en el lado de su acondicionador de aire, y la fecha de compra.

Engrape la prueba de compra a este manual para asistirle cuando necesite obtener servicio bajo la garantía.

Número de modelo

Número de serie

Fecha de compra

SEGURIDAD DEL ACONDICIONADOR DE AIRE

Su seguridad y la seguridad de los demás es muy importante.

Hemos incluido muchos mensajes importantes de seguridad en este manual y en su electrodoméstico. Lea y obedezca siempre todos los mensajes de seguridad.



Este es el símbolo de advertencia de seguridad.

Este símbolo le llama la atención sobre peligros potenciales que pueden ocasionar la muerte o una lesión a usted y a los demás. Todos los mensajes de seguridad irán a continuación del símbolo de advertencia de seguridad y de la palabra "PELIGRO", "ADVERTENCIA" o "PRECAUCIÓN".

Estas palabras significan:

▲ PELIGRO

Se trata de una situación de peligro inminente. Si no sigue las instrucciones de inmediato, usted puede morir o sufrir una lesión grave.

▲ ADVERTENCIA

Se trata de una situación posiblemente peligrosa que, de no evitarse, podría causar la muerte o una lesión grave.

▲ PRECAUCIÓN

Se trata de una situación posiblemente peligrosa que, de no evitarse, podría causar lesiones moderadas o leves.

Todos los mensajes de seguridad le dirán el peligro potencial, le dirán cómo reducir las posibilidades de sufrir una lesión y lo que puede suceder si no se siguen las instrucciones.

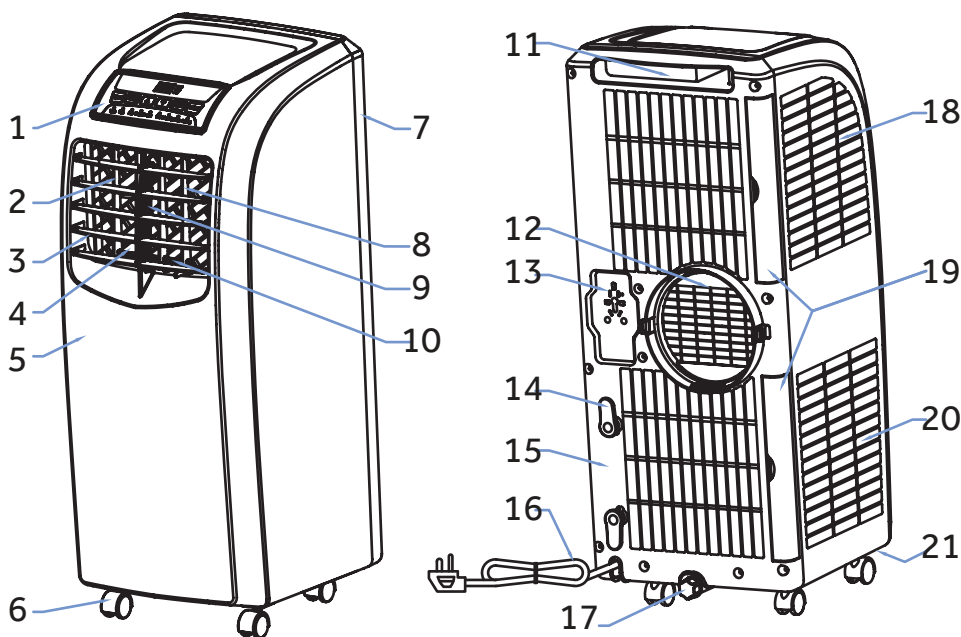
INSTRUCCIONES IMPORTANTES DE SEGURIDAD

ADVERTENCIA: Para reducir el riesgo de incendio, choque eléctrico, lesiones a personas o daños al utilizar el acondicionador de aire, siga precauciones básicas, incluyendo las siguientes:

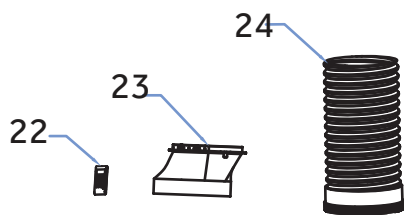
- Lea todas las instrucciones antes de usar este electrodoméstico.
 - Conecte a un contacto de pared de conexión a tierra de 3 terminales.
 - No quite el terminal de conexión a tierra.
 - No use un adaptador.
 - No use un cable eléctrico de extensión.
 - No ponga a funcionar el acondicionador de aire si tiene un cable o enchufe dañado, si no funciona correctamente o si se ha dañado o caído.
 - El acondicionador de aire solo debe ser reparado por personal de servicio competente. Llame a la compañía de servicio técnico autorizada para su inspección, reparación o ajuste.
 - Desconecte el suministro de energía antes de darle servicio técnico.
 - Desconecte el suministro de energía antes de limpiarlo.
- NOTA:** Si apaga la unidad presionando el botón Power (Encendido), esto NO desconecta el electrodoméstico del suministro de energía.
- No instale ni utilice el acondicionador de aire en áreas donde la atmósfera contenga gases combustibles o donde la atmósfera esté contaminada. Evite que cualquier producto químico entre en contacto con el acondicionador de aire.
 - No almacene nada directamente encima del acondicionador de aire.
 - Con la ayuda de dos o más personas, mueva e instale el acondicionador de aire.
 - Nunca haga funcionar el acondicionador de aire si los filtros de aire no están colocados en su lugar.
 - No utilice el acondicionado de aire cerca de una tina, ducha o lavabo ni otra zona húmeda.

LEA Y GUARDE ESTAS INSTRUCCIONES

PIEZAS Y CARACTERÍSTICAS



1. Panel de Control
2. Rejillas de Ventilación Verticales
3. Rejillas de Ventilación Horizontales
4. Marco de Salida de Aire
5. Carcasa Frontal
6. Rueda Universal
7. Carcasa Trasera
8. Rejilla de Ventilación Vertical Principal
9. Varilla de Conexión de las Rejillas de Ventilación Horizontal
10. Varilla de Conexión de las Rejillas de Ventilación Vertical
11. Manija (espacio para el control remoto del lado derecho)
12. Red de Protección del Extractor
13. Agujeros de Fijación con Enchufe Universal
14. Base para Enrollar el Cable
15. Carcasa Trasera
16. Cable de Corriente
17. Manguera de Drenaje y Tapa
18. Filtro
19. Filtros
20. Filtro
21. Chasis
22. Control Remoto
23. Adaptador de la Manguera del Extractor
24. Ensamble de la Manguera del Extractor



REQUISITOS DE INSTALACIÓN

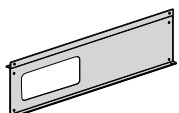
HERRAMIENTAS Y PIEZAS

Reúna las herramientas y piezas necesarias antes de comenzar la instalación.

HERRAMIENTAS NECESARIAS

- Destornillador de hoja plana
- Destornillador Phillips

PIEZAS SUMINISTRADAS



• Panel principal de la ventana



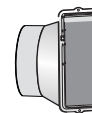
• Paneles de extensión (2)



• Tornillos de cabeza plana (6)
4 para los paneles de la extensión
2 para las boquillas



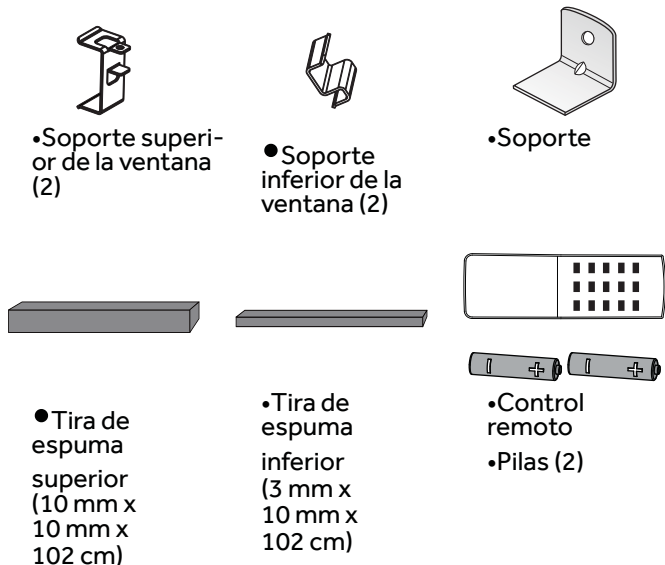
• Tornillos puntiagudos (7)
2 para los soportes de la ventana
1 para el soporte de seguridad
4 para el ensamblaje del panel



• Boquilla de escape

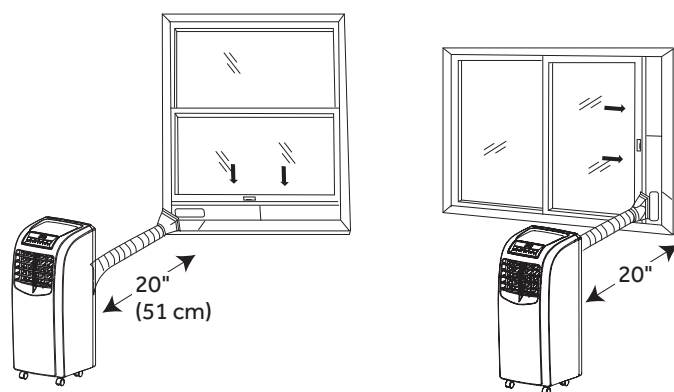


• Manguera de escape (1 o 2 dependiendo del modelo)



REQUISITOS DE UBICACIÓN

- Coloque el acondicionador de aire sobre una superficie plana y nivelada en una ubicación que esté al menos a 20" (51 cm) de la pared.
- NOTA: La distancia recomendada de la ventana para un rendimiento óptimo es de 30" (76 cm).
- Mantenga un espacio libre mínimo de 20" (51 cm) alrededor del acondicionador de aire para no bloquear el flujo de aire.
- Mantenga el acondicionador de aire libre de obstrucciones como cortinas con pliegues, cortinas, persianas, etc.
- La manguera de escape debe estar libre de cualquier obstrucción.
- No coloque el acondicionador de aire en una superficie inestable o elevada, ya que podría caerse y provocar daños o lesiones.
- No exponga el acondicionador de aire a la luz directa del sol o cerca una fuente de calor como zócalos radiantes, estufas, etc.
- El panel de la ventana puede instalarse en una ventana con una abertura mínima de 20" (51 cm) hasta un máximo de 40" (101,6 cm).



REQUISITOS ELÉCTRICOS

⚠ ADVERTENCIA



Peligro de Choque Eléctrico

Conecte a un contacto de pared de conexión a tierra de 3 terminales.
No quite el terminal de conexión a tierra del cable de alimentación.
No use un adaptador.
No use un cable eléctrico de extensión.
No seguir estas instrucciones puede ocasionar la muerte, incendio o choque eléctrico.

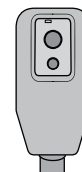
CABLE DE SUMINISTRO DE ENERGÍA

Requisitos de cableado

- Tomacorriente de 3 terminales con conexión a tierra de 115 voltios, 60 Hz, con fusibles de 15 amperios
- Se recomienda utilizar un fusible o un cortacircuitos retardador.
- Utilice solamente un circuito exclusivo.

NOTA: No utilice ningún otro electrodoméstico en este circuito; de lo contrario, se puede disparar el cortacircuitos/fusible.

Si el cable de suministro de energía está dañado, no se puede reparar. Debe reemplazarse con un cable del fabricante del producto. Si el cable de suministro de energía está dañado, llame al Servicio al cliente de Haier: 1-877-337-3639.



Para probar el cable de suministro de energía antes de usarlo:

1. Conecte el cable eléctrico a un tomacorriente de 3 terminales con conexión a tierra.
2. Presione el botón Test (Prueba) y, a continuación, presione y suelte el botón Reset (Restablecer) para restaurar la energía.

MÉTODO DE CONEXIÓN A TIERRA REQUERIDO

Este acondicionador de aire debe estar conectado a tierra. El acondicionador de aire está equipado con un cable de suministro de energía que tiene un enchufe de tres terminales con conexión a tierra. El cable de suministro de energía deberá enchufarse en un tomacorriente apropiado de 3 terminales, conectado a tierra de acuerdo con todos los códigos y ordenanzas locales.



115 voltios
15 amperios

INSTRUCCIONES DE INSTALACIÓN

PASO 1 - DESEMPAQUE SU ACONDICIONADOR DE AIRE

⚠ ADVERTENCIA

Peligro de Peso Excesivo

Use dos o más personas para mover e instalar el acondicionador de aire.

No seguir esta instrucción puede ocasionar una lesión en la espalda u otro tipo de lesiones.

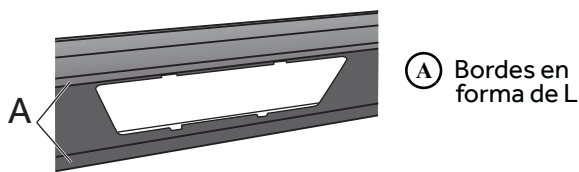
- Quite los materiales de empaque. Guarde la caja y el empaque de espuma para almacenar el acondicionador de aire cuando no esté en uso.

NOTA: NO hay materiales de empaque internos dentro del acondicionador de aire para quitar. No abra el gabinete.

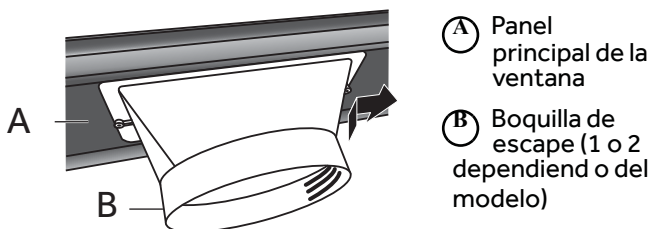
- Deshágase adecuadamente de todos los materiales de empaque o recíclelos.
- Manipule el acondicionador de aire con cuidado.
- Mantenga el acondicionador de aire en posición vertical y nivelado. No coloque el acondicionador de aire de costado, sobre su parte frontal, su parte posterior o al revés.

PASO 2 - INSTALAR UNA BOQUILLA DE ESCAPE EN EL PANEL DE LA VENTANA PRINCIPAL

1. Sostenga el panel de la ventana de manera que los bordes en forma de L de la placa queden frente a usted.

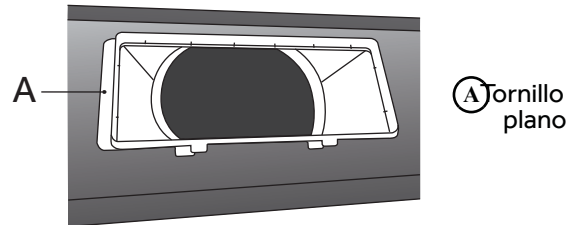


2. Alinee la boquilla de escape con las ranuras en la apertura y luego, inserte y deslice la boquilla para acceder al orificio desde la parte posterior del panel principal de la ventana.



3. Dé vuelta el panel principal de la ventana de modo que la boquilla quede lejos de usted. Inserte un tornillo plano a través del orificio para sujetar el panel de la ventana al adaptador.

NOTA: En una unidad de manguera doble, instale una boquilla más pequeña de manguera en el orificio izquierdo del panel.

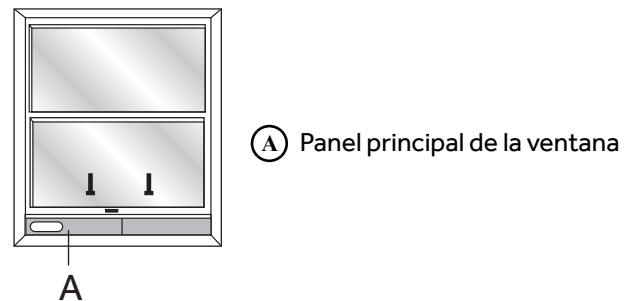


PASO 3 - INSTALAR EL PANEL PRINCIPAL DE LA VENTANA Y LOS PANELES DE EXTENSIÓN

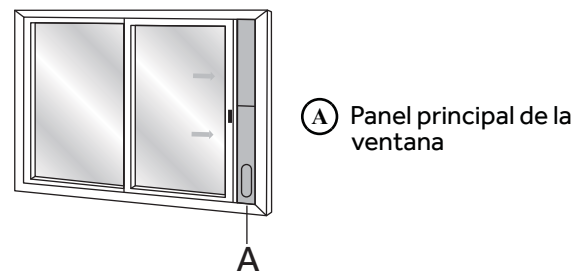
NOTA: Según el tamaño de la abertura de la ventana, utilice el panel principal y uno o ambos paneles de extensión.

1. Abra la ventana y coloque el panel principal de la ventana en esta.
- NOTA:** El ensamblaje de la ventana está diseñado para alojar una ventana deslizable vertical u horizontal.

Ventana deslizable vertical



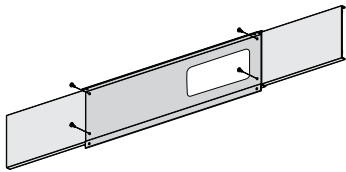
Ventana deslizable horizontal



2. Regule los paneles de extensión para que encajen en el ancho o altura de la ventana, como se muestra.

NOTA: La instalación de algunas ventanas requiere que se corten los paneles de extensión.

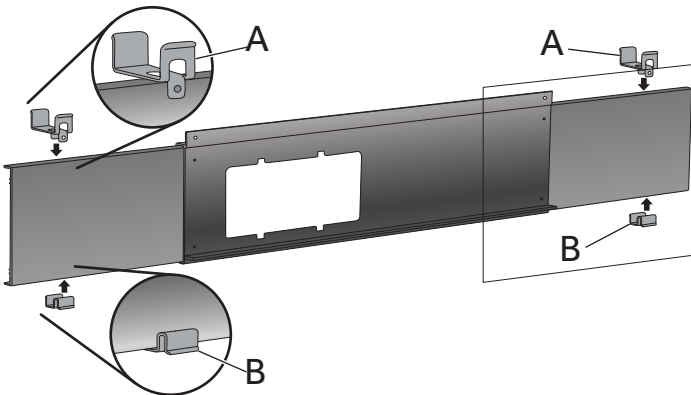
3. Según el número de paneles de extensión usado, utilice dos o cuatro tornillos de cabeza plana para sujetar el panel principal a los paneles de extensión.



NOTA: Actualmente existen numerosos tipos de ventanas en el mercado. Use las tiras de espuma y los soportes (incluidos) para colocar firmemente los paneles de extensión y rellenar las aberturas de la ventana.

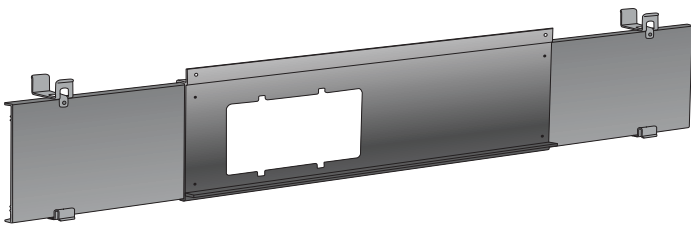
4. Con cuatro tornillos puntiagudos, sujete el panel principal de la ventana a la repisa y el marco de la ventana.

Antes del montaje

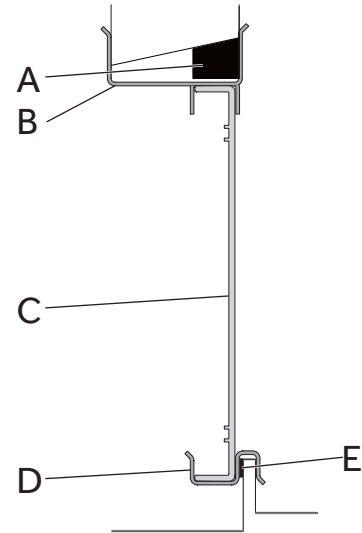


- (A) Soportes superiores de la ventana
- (B) Soportes inferiores de la ventana

Después de la asamblea

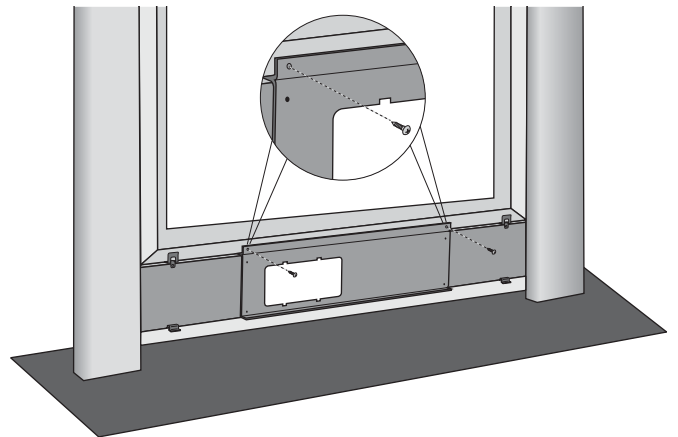


5. Coloque la tira de espuma superior (incluida) a lo largo de la parte superior del ensamblaje del panel de la ventana y la tira de espuma inferior (incluida) a lo largo de borde frontal posterior del ensamblaje del panel de la ventana, tal como se muestra.



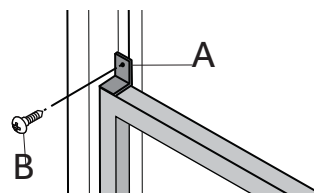
- (A) Tira de espuma superior
- (B) Soporte superior
- (C) Panel de extensión
- (D) Soporte inferior
- (E) Tira de espuma inferior

6. Coloque el ensamblaje del panel de la ventana en esta y con los tornillos provistos, sujete el ensamblaje a la repisa y el marco de la ventana.



7. Con un tornillo puntiagudo, instale el soporte de seguridad a la ventana.

NOTA: El soporte de seguridad evita que la ventana se abra desde el exterior.



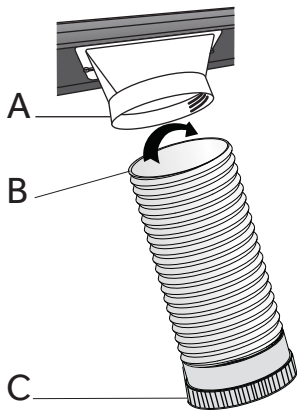
- (A) Soporte de seguridad
- (B) Tortilla puntiagudo (1)

PASO 4 - SUJETE LA MANGUERA DE ESCAPE A LA BOQUILLA DE ESCAPE

1. Sujete ambos extremos de la manguera de escape y tire suavemente para extender la manguera.

NOTA: No conecte mangueras adicionales para prolongar la longitud. Esto disminuiría la eficiencia de enfriamiento y podría dañar el acondicionador de aire.

2. Con un movimiento en sentido contrario a las agujas del reloj, coloque el extremo abierto de la manguera de escape en la boquilla de escape.

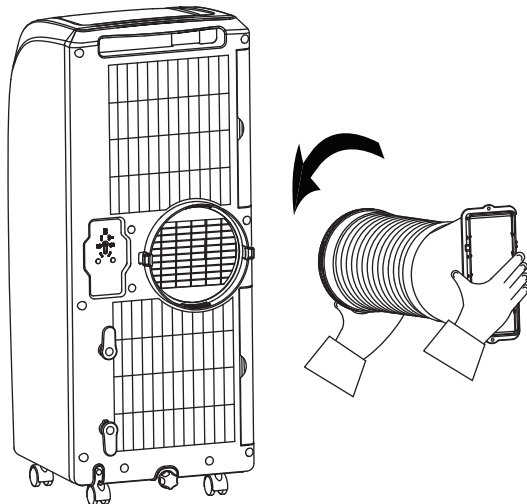


- (A) Boquilla de escape (1 o 2 dependiendo del modelo)
- (B) Manguera (extremo abierto)
- (C) Manguera (extremo del conector)

PASO 5 - CONECTE LA MANGUERA DE ESCAPE PARA EL ACONDICIONADOR DE AIRE

IMPORTANTE: Al conectar la manguera, el acondicionador de aire debe estar lo suficientemente cerca de la ventana que no vas a desalojar a la placa de sello de la ventana. Una vez que la manguera está conectada, mueva el acondicionador de aire 20" (51 cm) de la pared.

1. Alinear las muescas en el extremo del conector de la manguera de escape con las crestas en la abertura en la parte posterior del acondicionador de aire.
2. Con un movimiento hacia la izquierda, enrosque la manguera de escape (extremo del conector) en la salida de aire ubicada en la parte posterior del acondicionador de aire.



PASO 6 - COMPLETE LA INSTALACIÓN

⚠ ADVERTENCIA



Peligro de Choque Eléctrico

Conecte a un contacto de pared de conexión a tierra de 3 terminales.

No quite el terminal de conexión a tierra del cable de alimentación.

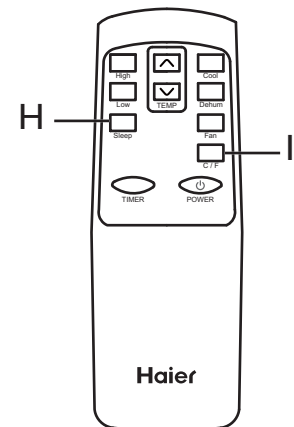
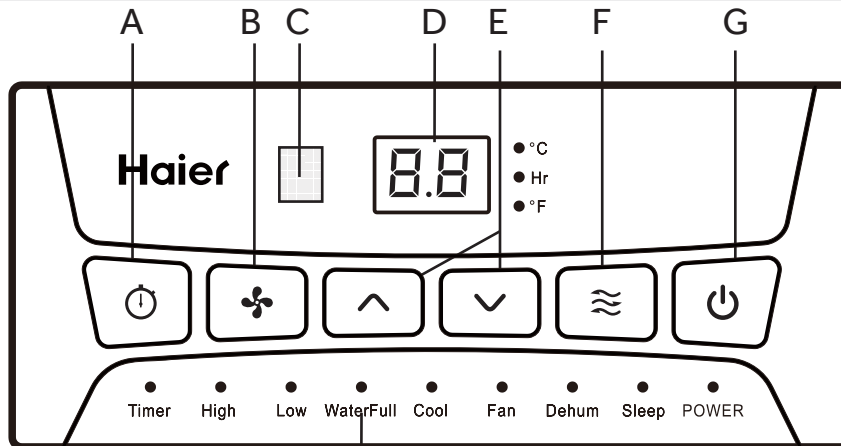
No use un adaptador.

No use un cable eléctrico de extensión.

No seguir estas instrucciones puede ocasionar la muerte, incendio o choque eléctrico.

1. Conecte el cable eléctrico a un toma corriente de 3 terminales con conexión a tierra.
2. Presione el botón Reset (Restablecer) en el cable eléctrico para asegurar que el tapón de seguridad está proporcionando energía al acondicionador de aire.

PANEL DE CONTROL



BOTONES

A BOTÓN TIMER (TEMPORIZADOR)

Programa un tiempo desde (1 hora a 24 horas) para que el acondicionador de aire se apague o se encienda. Cuando se programa un tiempo diferido, la luz indicadora de Timer (Temporizador) se iluminará.

Mientras el acondicionador de aire está funcionando:

1. Presione el botón Timer (Temporizador).
2. Presione los botones con flecha hacia arriba/abajo para seleccionar el número de horas que desea que el acondicionador de aire continúe funcionando antes de apagarse.

NOTA: Espere unos 5 segundos para que se guarde la hora en que se apagará.

Mientras el acondicionador de aire está apagado:

1. Presione el botón Timer (Temporizador).
2. Presione los botones con flecha hacia arriba/abajo para seleccionar el número de horas que desea que el acondicionador de aire permanezca apagado antes de encenderse.

NOTA: Espere unos 5 segundos para que se guarde la hora en que se encenderá.

Para cancelar el temporizador:

- Presione el botón Timer (Temporizador) una vez, las horas restantes destellarán, presione el botón Timer (Temporizador) de nuevo y el temporizador se cancelará.

B BOTÓN FAN SPEED (VELOCIDAD DEL VENTILADOR)

La velocidad del ventilador se puede regular desde velocidad Low (Baja) a High (Alta) cuando el acondicionador de aire está en funcionamiento.

NOTA: La velocidad del ventilador no se puede regular cuando la unidad está en modo Dehum (Deshumidificar).

- Presione el botón Fan Speed (Velocidad del ventilador) para alternar entre las dos velocidades. El indicador de velocidad del ventilador correspondiente se iluminará.

C VENTANA DE SEÑAL DEL CONTROL REMOTO

Dirija el control remoto hacia esta ventana para que el control reciba la señal.

D PANTALLA DEL PANEL DE CONTROL

Muestra la temperatura fijada en grados Fahrenheit o grados centígrados, o las horas restantes de un tiempo diferido. La luz indicadora correspondiente se encenderá.

E BOTONES CON FLECHAS HACIA ARRIBA Y HACIA ABAJO

Ajustan la temperatura o las horas del tiempo diferido.

Para fijar la temperatura:

La temperatura puede fijarse entre 62 °F y 86 °F (17 °C y 30 °C) cuando el acondicionador de aire está en modo Cool (Enfriamiento).

1. Presione el botón Mode (Modo) hasta que se seleccione el modo Cool (Enfriamiento).
2. Presione los botones con las flechas hacia arriba o hacia abajo para seleccionar la temperatura.

NOTA: La temperatura no se puede fijar si el acondicionador de aire está en el modo Fan (Ventilador) o Dehum (Deshumidificar).

NOTA: Los botones con las flechas hacia arriba y hacia abajo, cuando se los presiona al mismo tiempo, le permiten seleccionar entre mostrar la temperatura en °C o °F. El indicador correspondiente se iluminará.

F BOTÓN MODE (MODO)

Presione el botón Mode (Modo) para alternar entre las opciones de operación. El indicador correspondiente se iluminará:

Heat (Calor) (en algunos modelos) - Calienta la habitación a la temperatura establecida

Cool (Enfriamiento): enfría la habitación a la temperatura jada

Dehum (Deshumidificar): reduce la humedad en la habitación

Fan (Ventilador): hace circular el aire de la habitación sin enfriar

G BOTÓN POWER (ENCENDIDO)

ENCIENDE/APAGA el acondicionador de aire.

NOTA: Si apaga la unidad presionando el botón Power (Encendido), esto NO desconecta el electrodoméstico del suministro de energía.

- Presione el botón Power (Encendido). La luz indicadora de Power (Encendido) se iluminará.

CONTROL REMOTO

1. Inserte dos pilas (provistas).
2. Dirija el control remoto hacia el receptor de señales del panel de control para hacer funcionar el acondicionador de aire.

H BOTÓN SLEEP (SUSPENSIÓN)

Aumenta la temperatura fijada en 2 °F (1 °C) después de 2 horas y, a continuación, aumenta la temperatura en 2 °F (1 °C) adicionales después de otras 2 horas.

NOTA: El ventilador funcionará a baja velocidad y no puede regularse mientras está en modo Sleep (Suspensión).

Presione el botón de Sleep (Suspensión) para ingresar al modo Sleep (Suspensión). La luz indicadora de Sleep (Suspensión) se iluminará.

Para cancelar el modo Sleep (Suspensión):

- Presione el botón Sleep (Suspensión) o el botón Mode (Modo) en el control remoto.

I BOTÓN °C/°F

- Presione el botón °C/°F para alternar entre la visualización de la temperatura en grados Fahrenheit y grados centígrados. El indicador correspondiente se iluminará.

LUCES INDICADORAS

Se iluminarán para indicar el modo, la velocidad o el estado que se seleccionó.

J WATER FULL (MÁXIMO NIVEL DE AGUA)

El indicador Water Full (Máximo nivel de agua) se ilumina cuando el tanque de agua interno se llena de agua condensada. El acondicionador de aire se apagará automáticamente. Para obtener las instrucciones para desagotar el tanque de agua, vea la sección "Cuidado del acondicionador de aire".

USO DEL ACONDICIONADOR DE AIRE

IMPORTANTE: Si el acondicionador de aire se ha inclinado hacia un lado, espere 24 horas antes de encender el acondicionador de aire a fin de permitir que el aceite vuelva al compresor. Esto evitará que el acondicionador de aire falle antes de tiempo.

- Deje 20" (51 cm) de espacio alrededor de la unidad para permitir una circulación adecuada de aire.
- No haga funcionar el acondicionador de aire si los filtros de aire no están colocados en su lugar.
- No derrame líquido en el panel de control; puede causar un cortocircuito a las piezas electrónicas del interior que lo desactivaría o haría que funcione incorrectamente.
- Al encender el acondicionador de aire por primera vez después de conectarlo a un toma corriente eléctrico, la unidad comenzará a funcionar en el modo Cooling (Enfriamiento) fijado en 75 °F (24 °C), y a la velocidad alta del ventilador. El panel de control mostrará la temperatura actual de la habitación.
- Al encender la unidad después de un uso anterior, recordará los últimos ajustes utilizados.

- Después de un apagado normal, espere 3 minutos antes de volver a poner en marcha la unidad.
- En el modo de enfriamiento, esta unidad no deberá requerir que se elimine el agua. Este modelo cuenta con un diseño único que evapora continuamente el agua.
- Cuando la unidad funciona en condiciones de alta humedad, es posible que usted tenga que vaciar periódicamente el tanque de agua.
- La unidad se apagará automáticamente cuando el tanque de agua esté lleno. El indicador Water Full (Máximo nivel de agua) se iluminará para avisarle acerca de esta condición.

CUIDADO DEL ACONDICIONADOR DE AIRE

⚠ ADVERTENCIA



Peligro de choque eléctrico

Desconecte el suministro de energía antes de limpiarlo.

No seguir esta instrucción puede ocasionar la muerte o choque eléctrico.

LIMPIEZA

1. Desenchufe o desconecte el suministro de energía.
2. Utilice solamente un paño suave humedecido con agua para limpiar el gabinete.

NOTA:

- No utilice un limpiador líquido o con rociador para limpiar el acondicionador de aire.
- NO utilice productos químicos, abrasivos, amoníaco, blanqueador con cloro, detergentes concentrados, solventes o estropajos de metal. Algunos de estos artículos/productos químicos pueden dañar y/o decolorar su acondicionador de aire.

3. Seque bien con un paño suave.
4. Enchufe o vuelva a conectar el suministro de energía.

FILTROS DE AIRE

Los filtros de aire deben limpiarse al menos una vez a la semana para que la unidad funcione con óptima eficacia.

IMPORTANTE: No haga funcionar el acondicionador de aire si los filtros de aire no están colocados en su lugar.

1. Desenchufe o desconecte el suministro de energía.
2. Jale de las lengüetas para deslizar los filtros de la parte posterior del acondicionador de aire.

NOTA: Los filtros secundarios son accesibles una vez que se quitan los filtros principales.

3. Lave o aspire el polvo de los filtros de aire.

NOTA: Si se lavan, agite suavemente el filtro para eliminar el exceso de agua y las partículas de polvo atrapadas en el filtro.

4. Vuelva a instalar los filtros.
5. Enchufe o vuelva a conectar el suministro de energía.

TANQUE DE AGUA INTERNO

El indicador Water Full (Máximo nivel de agua) se ilumina cuando el tanque de agua interno se llena de agua condensada.

Para vaciar el tanque de agua interno:

1. Desenchufe o desconecte el suministro de energía.
2. Coloque una bandeja profunda grande o de 1 cuarto de galón (no incluida) debajo del desagüe inferior situado en la parte posterior (cerca de la base) del acondicionador de aire.
3. Quite la tapa y el tapón de goma, y desagüe el tanque de agua.
4. Vuelva a colocar el tapón de desagüe y enrosque la tapa para que firme en su lugar.
5. Enchufe o vuelva a conectar el suministro de energía.

ALMACENAMIENTO

Si la unidad no se utiliza durante un período prolongado de tiempo:

1. Desenchufe o desconecte el suministro de energía.
2. Desagüe el agua del tanque de agua. Vea "Cuidado del acondicionador de aire".
3. Utilice el empaque original para volver a empacar la unidad y evitar acumulación de polvo o suciedad.
4. Guarde el acondicionador de aire en un lugar fresco y seco.

SOLUCIÓN DE PROBLEMAS

Pruebe las soluciones sugeridas aquí y posiblemente se evite el gasto de una visita de servicio técnico.

PROBLEMA	POSIBLE(S) CAUSA(S)	SOLUCIÓN
La unidad no se pone en marcha ni funciona	El cable de suministro de energía no está enchufado en un toma corriente.	Conecte el cable eléctrico a un toma corriente de 3 terminales con conexión a tierra.
	El cable de suministro de energía se ha disparado.	Presione y libere RESET (Restablecer) en el cable de suministro de energía.
	El botón Power (Encendido) no se ha presionado.	Presione el botón Power (Encendido) en el panel de control o el control remoto para ENCENDER el acondicionador de aire.
	El toma corriente eléctrico no recibe suministro eléctrico.	Enchufe una lámpara de trabajo en el toma corriente para verificar si hay energía.
	Se ha fundido un fusible de la casa o se ha disparado un cortacircuitos.	Reemplace el fusible o reposicione el cortacircuitos.
	El control fue programado para un tiempo diferido.	Cancele el tiempo diferido. Vea "Panel de control".
	Las pilas del control remoto están agotadas.	Reemplace las pilas.
	El tanque de agua interno está lleno. NOTA: El acondicionador de aire se apaga automáticamente y el indicador Water Full (Máximo nivel de agua) se ilumina para avisarle de este estado.	Vacíe el tanque de agua. Vea "Cuidado del acondicionador de aire".
El control remoto no funciona	Las pilas están agotadas.	Reemplace las pilas.
	Las pilas están insertadas de forma incorrecta.	Asegúrese de que las pilas se inserten en la posición correcta.
El acondicionador de aire está funcionando, pero la habitación no se enfría.	La temperatura de la habitación está caliente. NOTA: En días muy calurosos y húmedos, el acondicionador de aire necesitará más tiempo para enfriar la habitación.	Dé tiempo para que la habitación se enfríe cuando enciende la unidad por primera vez. Asegúrese de que el acondicionador de aire tenga una categoría de BTU (Unidad Térmica Británica) adecuada para el tamaño de la habitación que desea enfriar.
	El control se ha fijado incorrectamente en modo Fan (Ventilador) o Dry (Seco).	Fije el modo Cool (Enfriamiento) y la velocidad del ventilador en High (Alta).
	El flujo de aire ha disminuido.	Quite los obstáculos que bloquean el flujo de aire y redirija el flujo de aire para lograr un enfriamiento uniforme.
	La temperatura está fijada demasiado alta.	Baje la temperatura fijada.
	Los filtros de aire están sucios u obstruidos.	Limpie el filtro de aire. Vea "Cuidado del acondicionador de aire".
	El acondicionador de aire se ha instalado incorrectamente.	Verifique que la manguera de escape y el panel de la ventana estén correctamente instalados.
	Las puertas y las ventanas están abiertas.	Cierre las puertas y las ventanas de la habitación que desea enfriar para evitar que el aire enfriado se escape.

SI NECESITA MÁS AYUDA, VISITE HAIERAMERICA.COM O COMUNÍQUESE CON LA LÍNEA DE AYUDA AL CONSUMIDOR LLAMANDO AL 1-877-337-3639.

GARANTÍA LIMITADA

Por el Periodo de:	Reemplazaremos:
Un Año Desde la fecha de la compra original	Reemplazo, reparación o reembolso del costo minorista original de cualquier producto que falle debido a un defecto en los materiales o la fabricación. Si la unidad es cambiada, la unidad de reemplazo posee garantía por el resto del período de la garantía original de un año sobre su producto. GE Appliances reemplazará, a su exclusivo criterio, el producto por otro de la misma o de una funcionalidad y calidad comparable o hará un reembolso por el precio minorista original.

A Fin de Realizar una Reclamo sobre la Garantía Durante los Primeros 90 Días desde la Fecha Original de Compra:

- **Embale la unidad correctamente. Le recomendamos usar la caja de cartón y los materiales de embalaje originales.**
- **Entregue el producto en la ubicación del vendedor minorista donde fue adquirido.**
- **Incluya en el paquete una copia del receptor de la venta u otro comprobante de la fecha de compra original. También escriba su nombre y domicilio y una descripción del defecto.**

A Fin de Realizar un Reclamo sobre la Garantía Durante el Resto de la Garantía de un Año:

- **Ubique su recibo de venta original y haga una nota de su modelo y número de serie.**
- **Llame al 1.877.337.3639 (en Estados Unidos) para iniciar el proceso de reemplazo del producto.** En Canadá, llame al 1.877.470.9174.
- **Se solicitará su nombre, domicilio, fecha de compra, y números de modelo y serie.**
- **GE Appliances hará arreglos para que se envíe una caja de cartón a su hogar para recuperar el producto.**
- **Por favor entregue todos los materiales solicitados (envío postal prepago) en la caja de cartón provista. Por favor incluya una descripción del defecto.**
- **Debería recibir el producto de reemplazo o un reembolso entre los 7 y 10 días hábiles una vez que hayamos recibido su paquete.**

Qué No Será Cubierto:

- **Instrucción al cliente.** Este manual del propietario brinda información relacionada con instrucciones de funcionamiento y controles del usuario.
- **Instalación inadecuada.** Si tiene un problema de instalación o el acondicionador de aire no posee la capacidad adecuada, contacte a su vendedor minorista o instalador. Usted es responsable de brindar instalaciones de conexión eléctrica adecuadas.
- **Falla del producto como resultado de modificaciones sobre el mismo o debido a un uso irrazonable, incluyendo la falta de mantenimiento razonable o necesario.**
- **Reemplazo de fusibles del hogar o reinicio de disyuntores.**
- **Fallas como consecuencia de corrosión en modelos sin protección contra ésta.**
- **Daños ocasionados sobre el producto por nivel de suministro de voltaje inadecuado, accidente, incendio, inundaciones o catástrofes naturales.**
- **Daños consecuentes o incidentales causados por posibles defectos del acondicionador de aire.**
- **Daño causado después de la entrega.**

EXCLUSIÓN DE GARANTÍAS IMPLÍCITAS—Su única y exclusiva alternativa es la reparación del producto, como se indica en la Garantía Limitada. Las garantías implícitas, incluyendo garantías implícitas de comerciabilidad o conveniencia sobre un propósito particular, se limitan a un año o al período más corto permitido por la ley.

Para Clientes de EE.UU.: Esta garantía se extiende al comprador original y a cualquier dueño subsiguiente de productos comprados para uso hogareño dentro de EE.UU. Si el producto está en un área donde no se encuentra disponible un Proveedor Autorizado del Servicio Técnico de GE Appliances, usted será responsable por el costo de un viaje o se podrá requerir que traiga el producto a una ubicación del Servicio Técnico de GE Appliances Autorizado para recibir el servicio. En Alaska, la garantía excluye el costo de envío o llamadas del servicio técnico a su hogar.

Algunos estados no permiten la exclusión o limitación de daños fortuitos o consecuentes. Esta garantía le da derechos legales específicos y es posible que tenga otros derechos legales que varían entre un estado y otro. Para conocer cuáles son sus derechos legales, consulte a la oficina de asuntos del consumidor local o estatal o al Fiscal de su estado.

Garante en EE.UU.:
GE Appliances, a Haier company

IMPORTANT

Do Not Return This Product To The Store

**If you have a problem with this product, please call 1-877-337-3639 for the name and telephone number of the nearest authorized service center.
DATED PROOF OF PURCHASE REQUIRED FOR WARRANTY SERVICE**

IMPORTANT

Ne pas Réexpédier ce Produit au Magasin

**En cas de problème avec ce produit, veuillez composer le 1-877-337-3639 pour connaître le nom et le numéro de téléphone du centre de service autorisé le plus proche.
PREUVE D'ACHAT DATÉE, NUMÉRO DE MODÈLE ET LE NUMÉRO DE SÉRIE REQUIS
POUR LE SERVICE DE GARANTIE**

IMPORTANTE

No regrese este producto a la tienda

**Si tiene un problema con este producto, por favor comuníquese al 1-877-337-3639 para solicitar el nombre y número telefónico del centro de servicio al cliente autorizado más cercano.
NECESITA UNA PRUEBA DE COMPRA FECHADA, NÚMERO DE MODELO
Y DE SERIE PARA EL SERVICIO DE LA GARANTÍA**