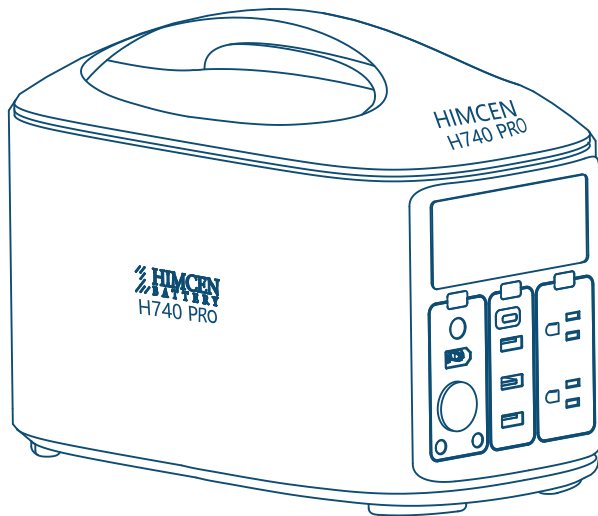




### Charge me!

Begin charging your H740 PRO by connecting it with the charging adaptors and cables provided. (You must use HIMCEN adaptors and cables to ensure product performance and safety.)



## USER MANUAL

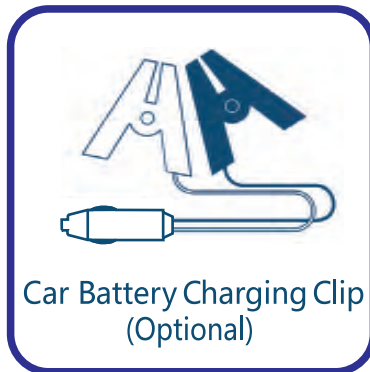
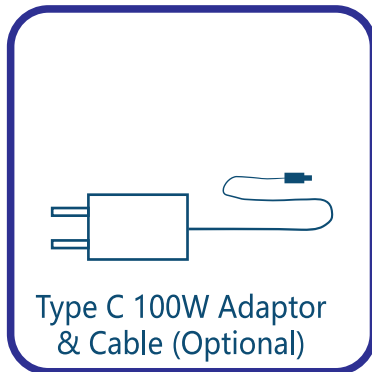
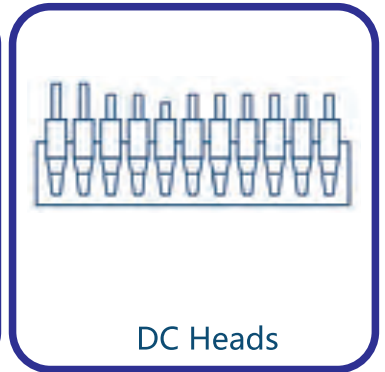
- What's in the Box
- How to Charge
- Features
- Technical Specifications
- Warranty Information
- Contact Information

The purpose of this manual is to help you use your H740 PRO to its full capability. Please contact us here directly if you have further questions about our products.

✉ [info@himcenbattery.com](mailto:info@himcenbattery.com)

🌐 <https://www.himcenbattery.com>

# WHAT'S IN THE BOX



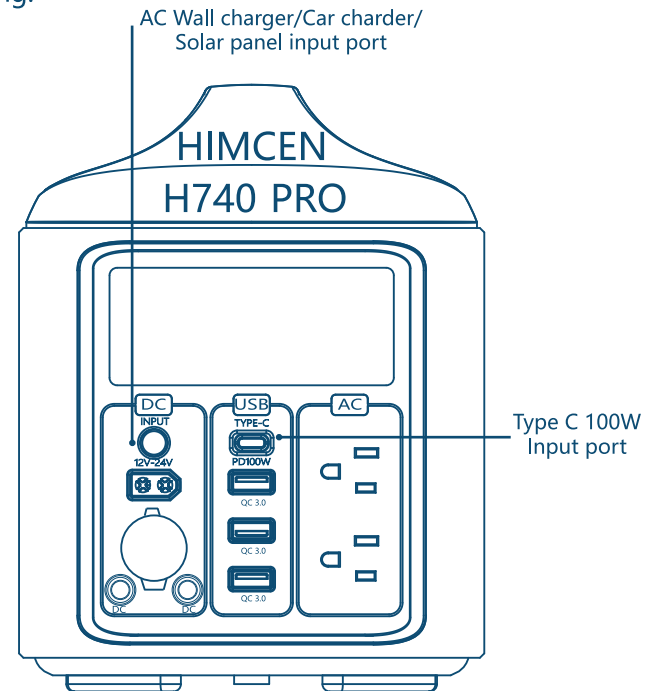
## Remarks:

Solar Panel, H740 BP, Car Battery Charging Clip, Type C 100W Adaptor & Cable are optional accessories required for purchase. Additional Accessories in Separate Package.

# HOW TO CHARGE YOUR H740 PRO

Your H740 PRO should arrive to you with 50% battery life, so you can use it right away. We do suggest charging the product immediately to ensure that it can start with a fully-charged battery.

1. **IMPORTANT:** Turn off all switches of H740 PRO to charge before first use. After the first use, the product can be in use while charging.
2. To charge (AC / car / solar panel): Insert the AC/car/solar panel power supply plug into H740 PRO's input port located right below DC switch. H740 PRO supports DC charging within the voltages of 12-24V using the same input port.
3. To charge (Type C USB-C): Connect the Type C adaptor to wall AC outlet and insert the power supply plug into the Type C port located right below the USB switch.
4. To charge (dual charging by AC wall charger + Type C): Connect the Type C adaptor to wall AC outlet and insert the power supply plug into the Type C port. Insert the AC power supply plug into H740 PRO's input port. Dual charging by AC adaptor and Type C adaptor will enhance the charging time.
5. Smart LCD will indicate 100% when fully charged.
6. **RECHARGING TIME** (estimated)
  - Dual charging (AC wall charger + Type C): 2-3 hours
  - AC Wall charging: 3-4 hours
  - Car charging while driving: 6-7 hours
  - Type C 100W: 7-8 hours
  - 120W solar panel: 12-13 hours
  - 240W solar panel: 6-7 hours



## RECHARGING TIMES



Dual charging  
(AC wall charger + Type C)  
2-3 hours



AC Wall charging  
3-4 hours



Car charging while driving  
6-7 hours



Type C 100W  
7-8 hours

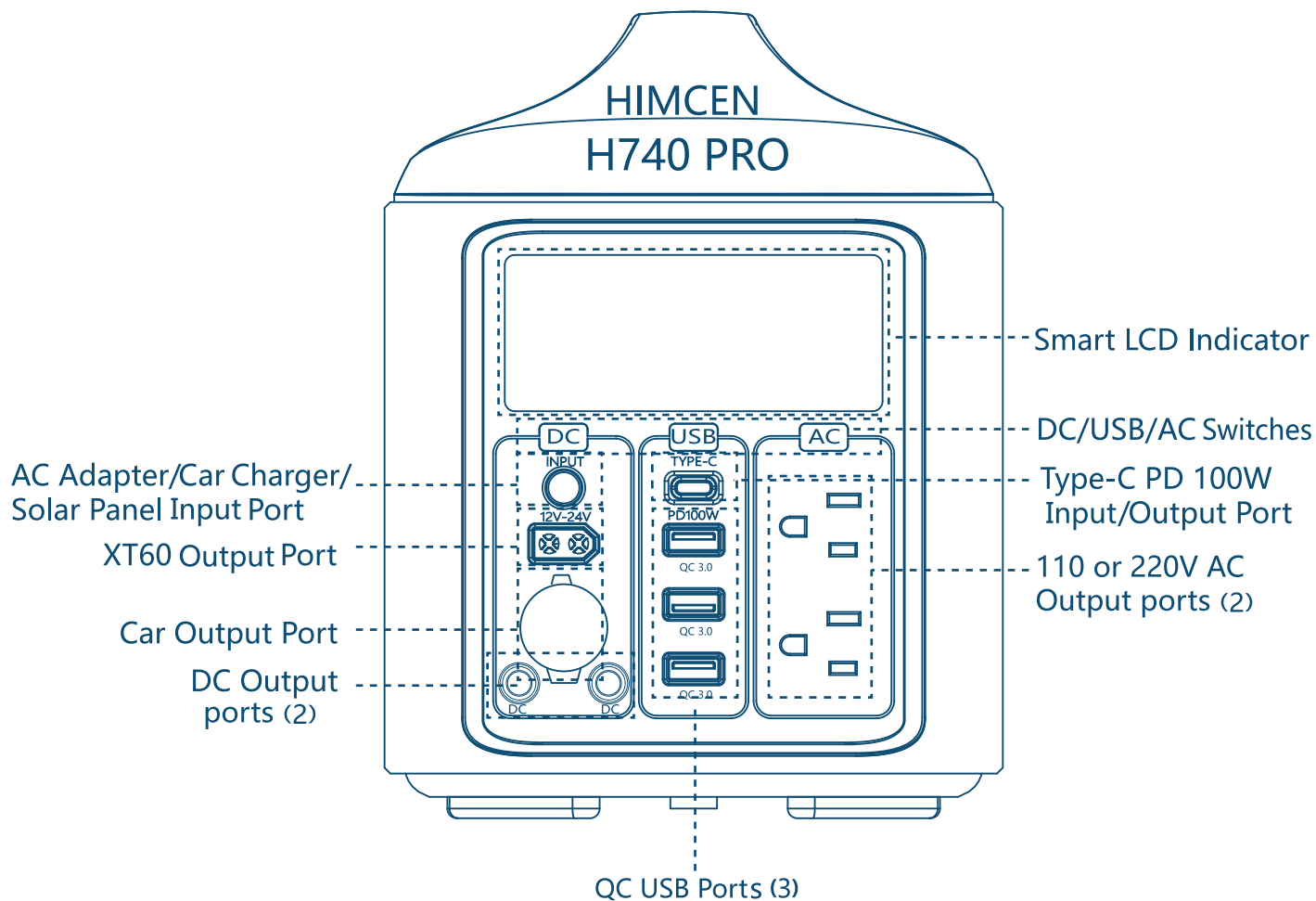


120W solar panel: 12-13 hours  
240W solar panel: 6-7 hours

Notes:

Solar panel and Type C adapter & cable are optional accessories

# GETTING TO KNOW YOUR H740 PRO



## Remark:

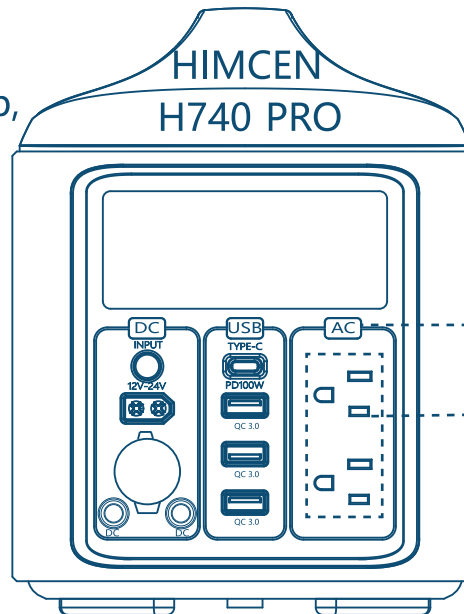
The image on this diagram is suitable for US sockets. International plugs are available for other markets.

# TO USE YOUR H740 PRO FOR AC ELECTRICAL APPLIANCES



Examples: Laptop, Electric Kettle, TV, Lamp, Fan, Laptop Computer, Rice Cooker, Portable Oxygen Generator (CPAP)

1. Turn the AC switch on.
2. Connect the appliance's power cord to the AC socket.  
The H740 RPO will generate heat during the charging process, which is normal



ALL KINDS OF HOME  
APPLIANCES NOT  
OVER 600W

## WARNING:

Do not attempt to charge any appliance over 600W.  
If the power consumption of the appliances exceeds 600W,  
H740 PRO will stop functioning on its own.

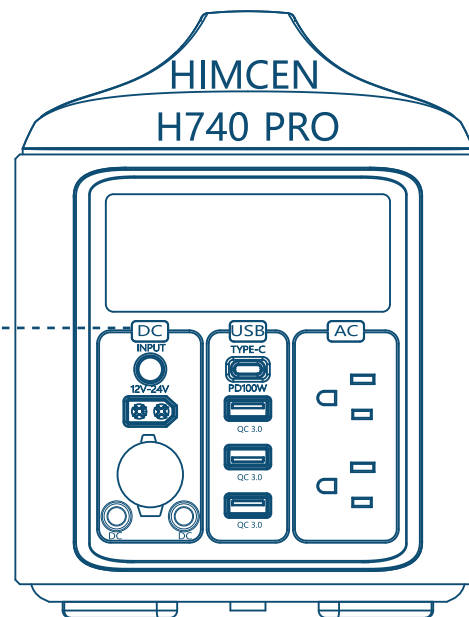
# TO USE YOUR H740 PRO FOR DC ELECTRICAL APPLIANCES



Examples: Car Vacuum Cleaner, Router, Drone, RC Car/Planes and All XT 60 devices

1. Turn the DC switch on.
2. Insert the DC appliance's power cord into suitable DC heads and connect with DC ports.
3. Use XT60 output ports for devices, such as RC car, plane, or drone charging, etc.
4. Use Type C USBC 100W port for devices, such as laptop computer, smart phones, etc.
5. Use car output port to charge your car refrigerators, car rice cooker, car vacuum cleaners, etc.
6. Use any one of 3 USB QC3.0 ports for your mobile phones and other 5V devices like handheld fans, USB lights, etc.

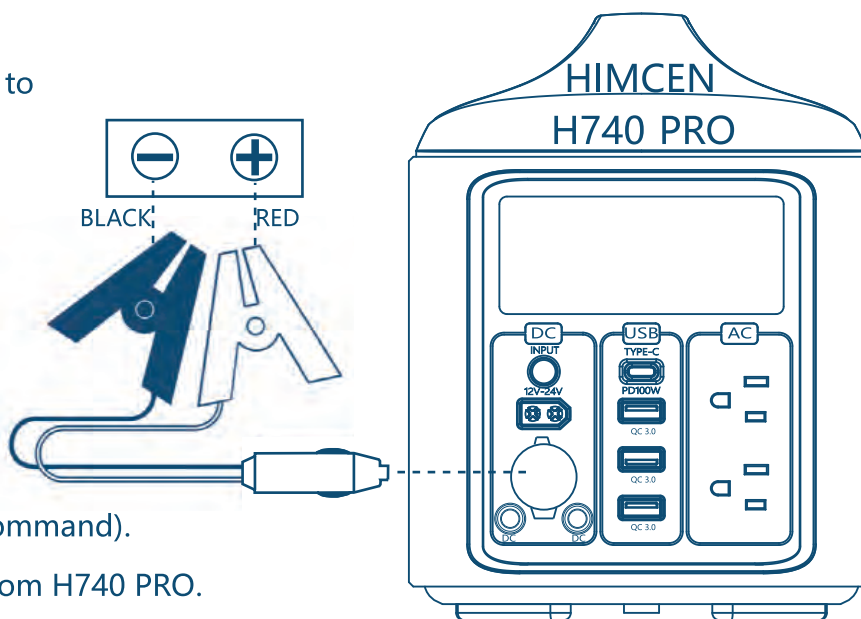
1. Turn the DC switch on



# TO RECHARGE YOUR CAR WHEN ITS BATTERY DIES



1. Connect the car battery charging cable to H740 PRO car output port.
2. Connect the black clip to the negative end of the car battery and connect the red clip to the positive end of the car battery.
3. Turn on DC switch.
4. Car battery charging cable LED will turn red.
5. Keep charging 15-30 min.
6. Start the car (by key, button, or voice command).
7. Remove the car battery charging clip from H740 PRO.
8. Remove the car battery charging clip from the car battery.



## Warning:

If the connection is bad, the alarm will beep. Count the number of beeping sounds and report it to HIMCEN Battery Inc. If the problem continues, disconnect the car battery from the car. Follow the above process on the car battery again and reconnect the battery to your car.

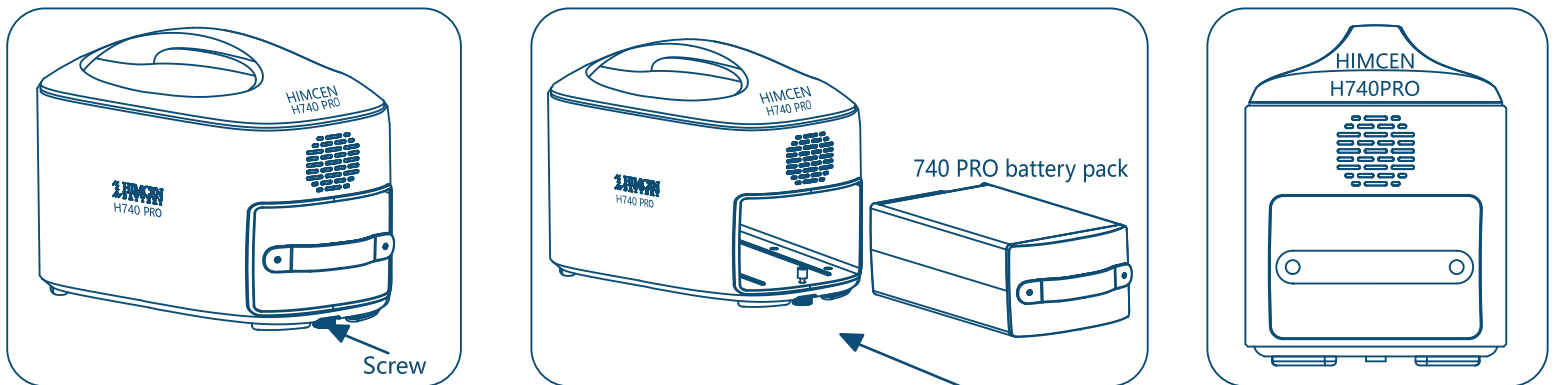
The car battery charging function will work only when the car's electrical system is completely turned off. In particular, make sure that the blackbox camera and the automatic smart key functions are turned off in order for the car battery charging function to work. After turning them off, attempt to charge dead car batteries again in 30 minutes - 1 hour later.

# INNOVATIVE DESIGN: CONTINUOUS POWER SUPPLY

## HIMCEN 740 Battery Pack (H740 BP) optional accessory

HIMCEN's special design offers an expandable, swappable battery pack – H740 BP – that doubles the battery capacity.

1. Unscrew the bottom screw and remove the battery pack (H740 BP), which is included in original H740 PRO.
2. Insert the new battery pack (H740 BP).
3. Firmly tighten the bottom screw.



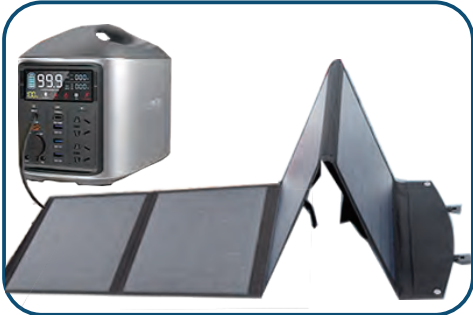
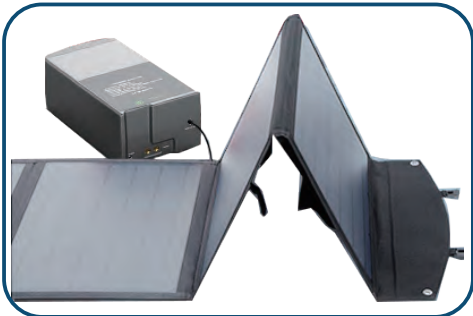
H740 BP can be recharged by AC, Car, or Solar Panel.  
If you drain your H740 PRO, simply swap it out for a charged battery pack.  
This allows you to enjoy unlimited battery capacity.



# Smart LCD Indicator Introduction



# SOLAR PANEL USER MANUAL



120W solar panel charge for H740 PRO and H740 BP



Connect 2pcs of 120W solar panels to generate 240W power and connect to H740 PRO



USB ports available for charge directly on solar panel

Connect cables between solar panel and H740 PRO

# SPECIFICATIONS

Product	Portable Power Station
Model Name	HIMCEN740 PRO
Capacity	740WH(3.7V)/200,000mAh
AC Adapter Input	20V 200W Max
Car Charger Input	12V 10A , 120W Max
Solar Panel Input	12V-24V , 100W-300W , 300W Max
Type-C Input/Output	100W Max
AC Output Power (2)	600W Pure Sine Wave / 1,200W Peak Power
DC Output (2)	12V5A (2) 60W Max
CAR Output	12V 10A 120W Max
XT60 Output	12V-21V 30A Max
USB QC 3.0 Output(3)	5V-12V 30W Max
H740 PRO Product Size	6.3"(16.0cm) x 7.8"(19.8cm) x 11.4"(29.0cm)
H740 PRO Product Weight	15.4 Lbs (7.0kg)
H740 BP Product Size	4.7"(12.0cm) x 2.8"(7.1cm) x 9.8"(24.9cm)
H740 BP Product Weight	7.7 Lbs (3.5kg)
Battery Cell	Lishen Lithium-ion Batteries

# PRECAUTIONS

---

Before using this product, read the instructions carefully and be aware of the precautions.

Your H740 is a high-voltage electrical product, so using with caution is advised to avoid any accidents.

H740 is not permitted on aircrafts.

Use the original or certified charger and cables provided by HIMCEN.

Do not put this product in contact with fire, liquids, or direct sunlight.

Avoid storing the product near metal objects such as coins, jewelry, and keys for extended periods of time in order to prevent short circuiting.

It is normal for the product to generate heat when it is being charged or in use by AC.

Recommended storage temperature: 50 ~ 95F.  
Do not disassemble the product.

Recommended operating environment temperature : 14-104F.

When not in regular use, charge the product at least once every 3 months to extend the battery life. Turn all switches off when not in use. If any switch is left on, the product will be fully drained within 1-3 days .

When you dispose the product, please do so in accordance with local regulation.

# WARRANTY INFORMATION

---

Please register your H740 via <https://www.himcenbattery.com/warranty>. This product is only intended for consumer use, not industrial use.

Warranty is valid for 1 year from the date of purchase.

During the warranty period, we will repair or replace your H740 at no cost, unless the damage is caused by:

- Improper use or handling of the product such as non-consumer use, rough use, dropping, improper charging, etc.
- Disasters such as flood, fire, earthquake, or war.
- Unauthorized disassembling, repair, or modification of the product.

## HIMCEN Battery Inc. Contact Info

---

 [warranty@himcenbattery.com](mailto:warranty@himcenbattery.com)  
[info@himcenbattery.com](mailto:info@himcenbattery.com)

 <https://www.himcenbattery.com>



---

## H740 PRO

Portable Power Station