

INSTRUCTIONS FOR USE

For single patient use (one person) only



IMPORTANT: READ INSTRUCTIONS AND SAFETY PRECAUTIONS BEFORE USE

PRONEB[®] MAX

AEROSOL DELIVERY SYSTEM

⚠ CAUTION

US Federal Law restricts this device to sale by or on the order of a physician.

RX ONLY

READ ALL WARNINGS AND INSTRUCTIONS BEFORE USE. USE THE PRODUCT ONLY FOR ITS INTENDED USE AS DESCRIBED IN THESE INSTRUCTIONS FOR USE. IMPROPER USE CAN RESULT IN SERIOUS OR FATAL ILLNESS/INJURY, IMPROPER TREATMENT OR PROPERTY DAMAGE.

! REMEMBER

■ Replace Your Reusable Nebulizer CUP Every SIX Months

PRONEB[®] MAX

AEROSOL DELIVERY SYSTEM

Welcome to the PRONEB[®] MAX experience!

The PRONEB[®] MAX Aerosol Delivery System is designed from PARI's long legacy of clinically proven products and consists of two important components: a PRONEB[®] MAX compressor and a PARI nebulizer.

Your physician has prescribed the PRONEB[®] MAX to treat your respiratory symptoms because of PARI's reputation for consistent particle size and fast treatments resulting in targeted delivery to the lungs. PARI products have been used in more than 25 clinical trials for new nebulized medications. Designed with the patient in mind, these instructions will help you achieve the best aerosol therapy experience.

Save these instructions for future use

INDICATIONS FOR USE: LC PLUS[®]

The PARI LC PLUS[®] reusable nebulizer is used to deliver aerosolized medication to the lungs. This nebulizer is used with patients for whom a physician has prescribed medication for aerosol treatments in the home, doctor's office, hospital, or clinic.

A. SAFETY PRECAUTIONS—LC PLUS[®]

▲ CAUTION

US Federal Law restricts this device to sale by or on the order of a physician. Use only when prescribed by a physician and with the prescribed medication.

The LC PLUS[®] is a handheld nebulizer, designed to aerosolize medication approved for nebulization and prescribed by a physician. The LC PLUS[®] is intended for adult and pediatric patients consistent with the indications for the aerosol medication. Improper use can result in serious or fatal illness or injury. Nebulizer is not sterile.

▲ WARNING

Use only when prescribed by a physician and with the prescribed medication. In order to achieve the specified droplet characteristics the compressor or central air supply must provide 3.5 - 8 lpm at a minimum of 20psi.

▲ WARNING

1. To reduce the risk of increased bacterial growth, infection, illness, or injury from contamination: thoroughly clean and dry all parts of the nebulizer and thoroughly dry any moisture or condensation in the tubing at the end of every treatment following the instructions below.
2. Cleaning the nebulizer after each treatment is not enough—you must regularly disinfect or sterilize the nebulizer between treatments to prevent serious or fatal illness caused by contamination of the nebulizer.
3. Never use a nebulizer with a clogged nozzle. If the nozzle is clogged, the aerosol mist will be reduced, altered or stopped, which will diminish or eliminate the effectiveness of the treatment. If clogging occurs, replace with the same model PARI Reusable Nebulizer.
4. Close supervision is necessary when this product is used by or near children and physically or mentally impaired. Never use when sleeping or drowsy.
5. This product contains small parts that may present a choking hazard to small children. The tubing also presents a strangulation hazard. ALWAYS USE CLOSE ADULT SUPERVISION WHEN ADMINISTERING A TREATMENT TO A CHILD. DO NOT LEAVE CHILD UNATTENDED DURING TREATMENT.
6. Patients under the age of 4 or any patients who have special needs should use a facemask instead of the valved mouthpiece.
7. Before use, check PARI Reusable Nebulizer for proper assembly. All parts should be seated firmly in place. Use of an improperly assembled nebulizer could diminish or prevent adequate delivery of medication and the effectiveness of the treatment.

INDICATIONS FOR USE: PRONEB® MAX AEROSOL DELIVERY SYSTEM

The PARI PRONEB® MAX is a tabletop, AC-powered air compressor intended to provide a source of compressed air for use with jet nebulizers with patients for whom doctors have prescribed medication for nebulization. It is intended for adult and pediatric patients 2 years and older, and may be used in hospitals, hospital-type facilities, nursing homes, sub-acute institutions and home environments.

B. SAFETY PRECAUTIONS—PRONEB® MAX AEROSOL DELIVERY SYSTEM

ENVIRONMENT OF USE:

As a tabletop compressor, it is intended for use in home healthcare and professional care settings. It is not permitted for use in trains, motor vehicles, or airplanes.

Within professional care settings, the device must only be used in in-patient wards and intensive care units. The device must never be used in areas exposed to elevated magnetic or electrical radiation (e.g. in the vicinity of an MRI scanner or electromagnetic security equipment).

▲WARNING

Use only with nebulizers and tubing authorized by PARI for this device. Other nebulizers and tubing may result in improper treatment.

When using electrical and medical products, especially when children are present, basic safety precautions must be followed.

▲DANGER

To reduce the risk of serious or fatal injury from electrocution:

1. Do not place or store product where it can fall or be pulled into a bathtub, sink, water, or other liquid. Do not place in or drop into water or other liquid. Do not use while bathing.
2. Do not reach for a product that has fallen into water or other liquid. Unplug immediately.

▲WARNING

To reduce the risk of serious or fatal injury from electrocution, fire or burns and to reduce the risk of damage and malfunction to the product:

1. Before use, check the serial number label on the bottom of the PARI PRONEB® MAX Compressor to ensure that the voltage and current indicated on the compressor label correspond to the voltage and current available.
2. Never operate this product if it has a damaged cord or plug, if it is not working properly, if it has been dropped or damaged, or if it has been exposed to any liquids inside the case. Return the product to PARI for examination and repair.
3. Keep all electrical cords away from heated surfaces. Do not overload wall outlets or use extension cords.
4. This appliance has a polarized plug (one blade is wider than the other). As a safety feature, this plug will fit in a polarized outlet only one way. If the plug does not fit fully in the outlet, reverse the plug.
5. Never block the air vents of this compressor or place it on a soft surface, such as a bed or couch, where the

air vents may be blocked. Keep the air vents free of lint, hair, and similar substances. Blocked vents could cause excessive heat buildup. This product should never be left unattended when plugged in.

6. Do not operate outdoors.
7. Not suitable for use in the presence of flammable anesthetic mixture with air or oxygen or nitrous oxide.
8. Do not operate where oxygen is being administered in a closed environment such as an oxygen tent.
9. Never drop or insert any object into any openings.
10. Always unplug this product immediately after using.
11. Be sure the PARI PRONEB® MAX Compressor is unplugged prior to cleaning.
12. Do not open or disassemble the PARI PRONEB® MAX Compressor. Refer all servicing to PARI.

▲WARNING

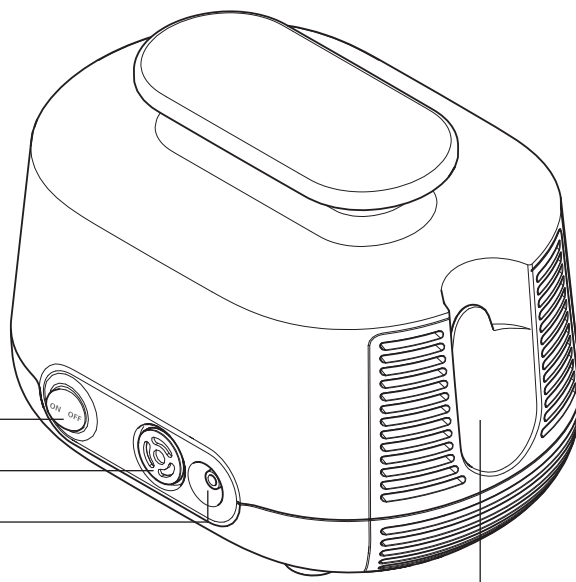
To reduce risk that the compressor will fail to operate properly as a result of decreased electromagnetic interference, resulting in improper treatment:

1. Portable and mobile radio frequency (“RF”) communication devices can disrupt electrical medical equipment.
2. Use only with accessories and cables authorized by PARI for this device. Use of this device with unauthorized accessories and cables may result in increased electromagnetic emissions or decreased electromagnetic immunity of the device.
3. This device should not be used adjacent to, or stacked with other equipment. If adjacent or stacked use is necessary, this device should be observed to verify normal operation.

C. GETTING STARTED

Check your PRONEB® MAX package to ensure you have the following items.

It is important to have a second PARI Reusable Nebulizer on hand at all times.



Power Switch

Air Filter

Air Outlet

PARI Reusable Nebulizer Holder

Nebulizer Replacement Sticker Sheet

PARI Nebulizer Replacement Reminder Sticker	
REPLACE IN JANUARY	REPLACE IN JULY
REPLACE IN FEBRUARY	REPLACE IN AUGUST
REPLACE IN MARCH	REPLACE IN SEPTEMBER
REPLACE IN APRIL	REPLACE IN OCTOBER
REPLACE IN MAY	REPLACE IN NOVEMBER
REPLACE IN JUNE	REPLACE IN DECEMBER

PARI Reusable Nebulizer (2 included)

Inspiratory Valve Cap

Nebulizer Insert

Nebulizer Semi-Circle

Alignment Rings

Nebulizer Outlet

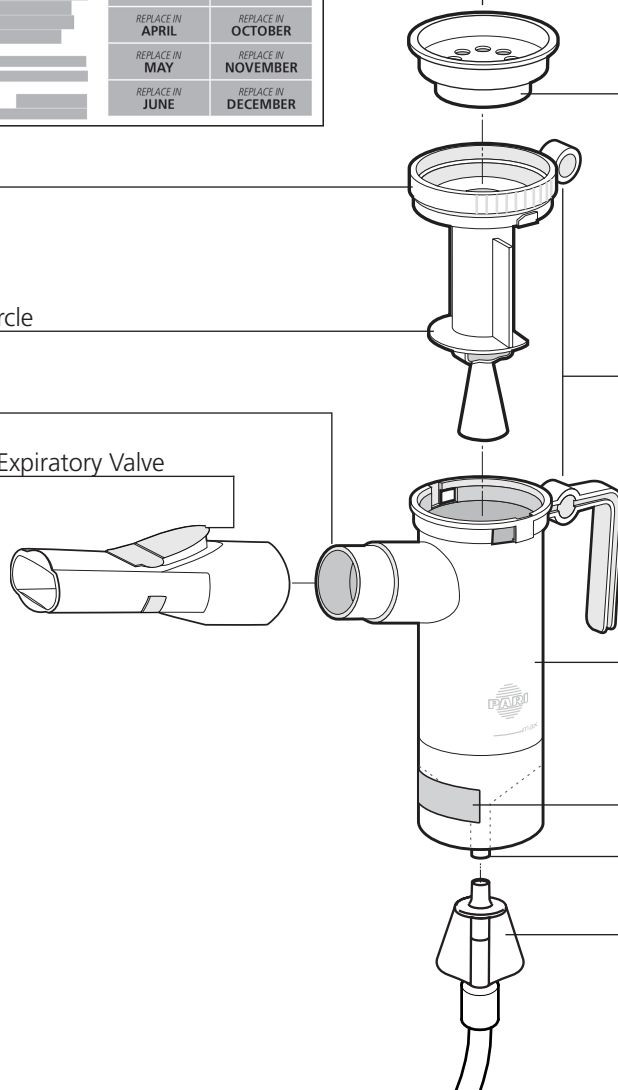
Mouthpiece with Expiratory Valve

Nebulizer Cup

Nebulizer Replacement Sticker
Suggested Placement

Air Intake

Wing Tip® Tubing



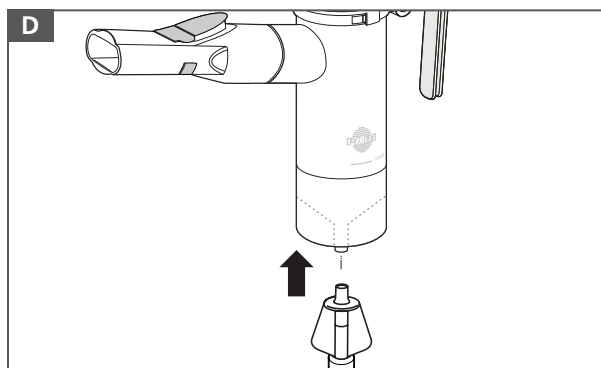
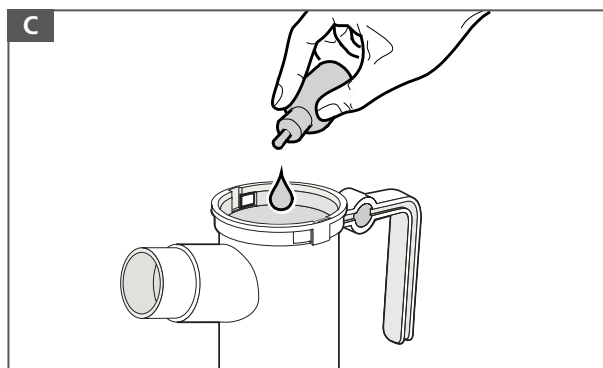
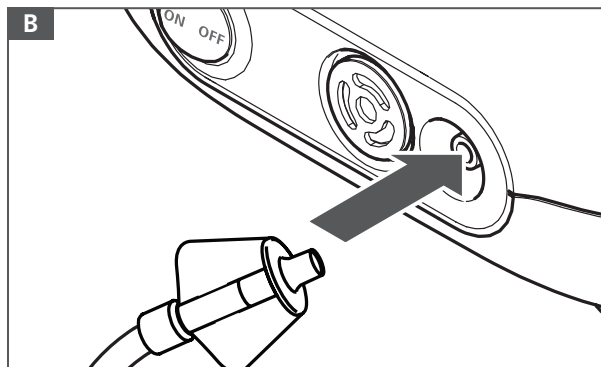
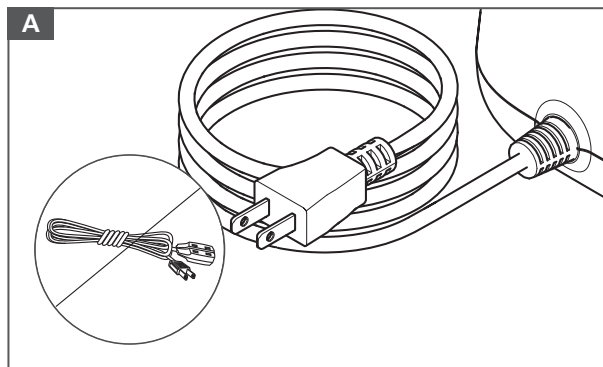
D. PRONEB® MAX SET-UP

You are 10 Steps away from starting your treatment with PRONEB® MAX. Please follow step by step.

1. *Clean/Disinfect Nebulizer Cup:* Refer to the instructions provided with your nebulizer to properly clean and/or disinfect your nebulizer prior to first use. Re-assemble nebulizer.
2. *Set-up Compressor:* Place the compressor on a flat, stable surface free of dust. Avoid cushioned, upholstered or carpeted surfaces. Make sure power switch is turned to the "OFF" position. Plug power cord into wall outlet (Fig A).
3. *Connect Tubing To Compressor:* Insert one end of tubing to the air outlet on the compressor. It should fit snugly (Fig. B).
4. *Load Medication:* Remove the nebulizer insert by twisting counter-clockwise until it stops and lift up. Pour the prescribed dose of medication into the nebulizer cup (Fig.C). Never fill past the max. fill line of 8ml.
5. *Attach Mouthpiece or Mask:* If using the mouthpiece, attach the mouthpiece to the nebulizer outlet with the expiratory valve facing up. Then close the inspiratory valve cap by pressing it firmly onto the top of the nebulizer. If using a mask, attach mask to the nebulizer outlet and refer to the mask instructions.
6. *Attach Tubing To Nebulizer Cup:* Firmly press the other end of the tubing to bottom of PARI reusable nebulizer (Fig. D).
7. *Starting Treatment:* Sit in a relaxed, upright position and turn the compressor "ON".
8. *Nebulizer Position:* Place the mouthpiece on top of tongue and close lips around it. Take slow, deep breaths. As you inhale, the inhalation valve opens.
9. *Breathing:* For mouthpiece, inhale and exhale slowly through your mouth. As you exhale, the valve on the mouthpiece opens to allow the exhaled mist to escape. For mask, place mask over nose and mouth and inhale and exhale slowly.
10. *Complete Treatment:* Continue until the medication is gone or you hear a slight "sputtering" sound. Turn compressor off.

A NOTE ON TREATMENT TIME

Please note that many factors affect treatment time, such as a patient's age, condition, breathing pattern, and medication. The PRONEB® MAX was designed for intermittent use to deliver respiratory medications, not continuous use for humidification.



E. CLEANING YOUR PARI REUSABLE NEBULIZER

1. Disconnect the tubing from the air intake on the bottom of the nebulizer cup.
2. If there is any moisture (condensation) in the tubing, let the compressor run with only the tubing attached for 2-3 minutes. The warm air from the compressor will dry out the tubing. Alternatively, you can dry the tubing by removing it from the compressor and hanging it up with the "ends down" to allow any moisture (condensation) to drain out and evaporate. Use a clean damp cloth to wipe the exterior of the tubing.
3. Disassemble reusable nebulizer parts as illustrated on page 3.
4. Wash all parts with warm water and liquid dish soap. **DO NOT WASH THE TUBING.**
5. Rinse the reusable nebulizer parts thoroughly with warm water and shake out water.
6. Air dry or hand dry nebulizer parts on a clean, lint-free cloth. Reassemble nebulizer when parts are dry and store.
7. You can also wash all parts of the reusable nebulizer on the top shelf of a dishwasher. **DO NOT WASH TUBING.** Place the reusable nebulizer parts in a dishwasher basket, then place the basket on the top rack of the dishwasher. Remove and dry the parts when the dishwasher cycle is complete.

CONTROL III® is a registered trademark of Maril Products, Inc.

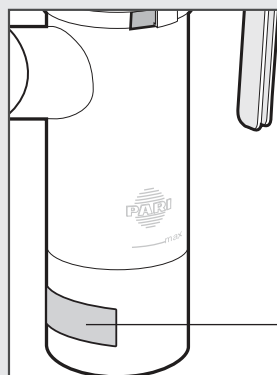
⚠ WARNING

TO REDUCE RISK OF INFECTION:

1. Nebulizer for single patient use (one person) only. Do not share your nebulizer with other patients.
2. You must regularly disinfect or sterilize the nebulizer between treatments. Failure to do so could lead to serious or fatal illness.

F. DISINFECTING YOUR PARI REUSABLE NEBULIZER

1. Clean the nebulizer as described in Section E. For low-level disinfection every other treatment day, soak all parts of the PARI Reusable Nebulizer (except tubing and mask) in a solution of 1 part distilled white vinegar and 3 parts hot tap water for 1 hour. You can substitute respiratory equipment disinfectant (like Control III®) for distilled white vinegar (follow manufacturer's instructions for mixing).
2. Rinse all parts of the PARI Reusable Nebulizer thoroughly with warm tap water and dry with a clean, lint-free cloth. Discard the vinegar solution when disinfection is complete.
3. The PARI Reusable Nebulizer parts (except tubing and mask) may also be disinfected by boiling them in a clean pot of water for a full 5 minutes.
4. Hospitals and clinics can sterilize the PARI Reusable Nebulizer parts (except mask and tubing) by autoclaving (a maximum of 277° F or 136° C), follow autoclave manufacturer's instructions.
5. Dry parts on a clean, lint-free cloth.



Nebulizer Replacement Sticker
Suggested Placement

! REMEMBER

REPLACE YOUR REUSABLE NEBULIZER CUP EVERY SIX MONTHS

It is very important to replace your PARI reusable nebulizer every 6 months for the most effective treatments.

Advantages of Replacing Your Nebulizer Cup:

- Consistent medication delivery to the lungs
- Fast and efficient treatments
- Bacterial contamination can be reduced*

Included in this configuration is a reminder sticker. Place the sticker that corresponds to six months from date of first use to the smooth surface on the bottom of your nebulizer cup as indicated in this picture. Sticker is dishwasher safe.

Allow two hours after label is applied before cleaning.

WARNING: *The sticker may present a choking hazard to small children-adult supervision is required.*

* Lester, Mary K. Nebulizer Use and Maintenance by Cystic Fibrosis Patients: A Survey Study. *Respiratory Care* 2004; 49(12): 1504-1508.

G. MAINTENANCE OF YOUR PRONEB® MAX

The filter on the front of the PRONEB® MAX Compressor was designed to be monitored without removing it. This makes it easy to check without much work. When the filter is new, it is bright white in color. With use, the filter will turn grey, indicating the need for replacement. The filter must be replaced immediately if it gets wet or becomes clogged. A good rule to follow is to replace your filter every 6 months - at the same time as your PARI reusable nebulizer.

For filter replacement, obtain the replacement filter set part #130F1002P2 which includes the filter and filter cap (Fig E). Pull the old filter and cap out of the compressor and discard (Fig F).

Once the old filter and cap are removed, tilt the compressor so that the face of the unit is facing the floor. Gently tap on the back of the compressor to remove any unwanted materials from the filter area. Place the compressor on a stable surface and using clean hands, push a new filter with cap into the filter receptacle.

NOTE: DO NOT ATTEMPT TO WASH AND REUSE AIR FILTERS. DO NOT USE SUBSTITUTE FILTER MATERIAL AS COMPRESSOR DAMAGE MAY RESULT.

COMPRESSOR

Use a damp cloth to wipe the exterior of your PRONEB® MAX housing and tubing.

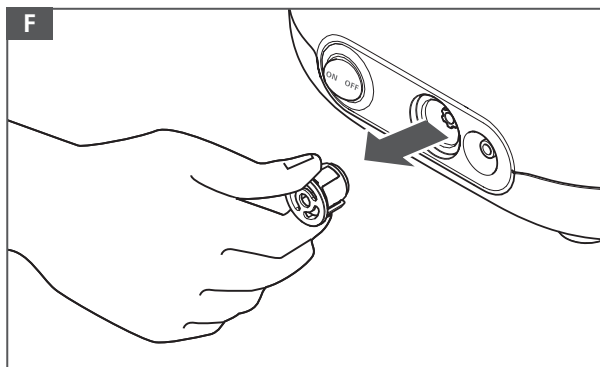
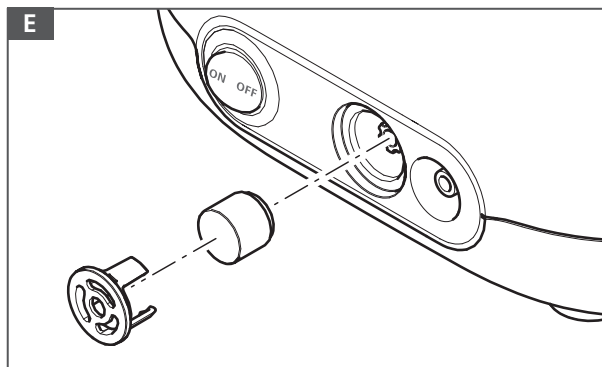
⚠ CAUTION

Never spray fluid into the ventilation slots on your PRONEB® MAX. Fluid could cause damage to the electrical & compressor parts and could lead to malfunction. In the event fluid enters the unit, please contact PARI Patient Connection at 1.800.FAST.NEB (327.8632).

MAINTENANCE & REPAIR

Never operate your PRONEB® MAX if it is improperly or incompletely assembled or damaged. Use only original PARI parts and attachments authorized by PARI for the PRONEB® MAX Aerosol Delivery System. Use of other parts and attachments may damage the unit or cause improper treatment. Do not open or disassemble the compressor unit at any time.

NOTE: THERE ARE NO SERVICEABLE PARTS INSIDE THE PRONEB® MAX AEROSOL DELIVERY SYSTEM. SERVICE BY ANYONE VOIDS WARRANTY.



PRONEB® MAX REPLACEMENT ITEMS

	Part No.
LC Sprint® Reusable Nebulizer	023F35
LC PLUS® Reusable Nebulizer	022F81
Wing Tip® Tubing	044E0050
PRONEB® MAX Replacement Filter 2pk	130F1002P2

H. SPECIFICATIONS


PRONEB® MAX SPECIFICATIONS


Weight:3.75 lbs.
Dimensions:7.28 x 5.12 x 5.91 in.
Electrical Requirements: 120V AC, 60Hz, 2A
Power Wattage: 98 W, under normal load
Ambient Operating Conditions:10°C to 40°C, (50°F to 104°F)
Power cord length:5 ft.


TRANSPORT/STORAGE CONDITIONS:


Ambient temperature:-25 C to 70 C, (-13°F to 158°F)
Relative Humidity: 10% to 93%
Atmospheric Pressure:700 hpa to 1060 hpa


EXPLANATION OF SYMBOLS

Attention: Read all "Instructions for Use" before operation: 

Insulation enclosed Class II equipment: 

Type "BF" Protection from electrical shock: 

Do not dispose of in unsorted municipal trash.
Please consult local laws and regulations for proper disposal: 

Power Switch: 

"On" Position (compressor running): **ON**

"Off" Position (compressor is not running): **OFF**

NOTE: WHEN SWITCH IS IN THE "OFF" POSITION AND THE COMPRESSOR IS NOT RUNNING, THERE WILL STILL BE ELECTRICAL POTENTIAL INSIDE THE COMPRESSOR HOUSING. TO REMOVE POWER FROM THE COMPRESSOR, THE POWER PLUG MUST BE REMOVED FROM THE POWER SOURCE.

ESSENTIAL PERFORMANCE

There are no essential performance characteristics according to the risk assessment.

ELECTROMAGNETIC ENVIRONMENT

The device is intended for use in the electromagnetic environment specified below. The customer or the user of the device should assure that it is used in such environment.

EMISSION TEST

Emission test	Compliance	Electromagnetic environment — Guidance
RF emissions CISPR 11	Group 1	The device uses RF energy only for its internal function. Therefore, its RF-emission is very low and not likely to cause any interference nearby electronic equipment.
	Class B	The device is suitable for use in all establishments, including domestic establishments and those directly connected to the public low-voltage power supply network that supplies buildings used for domestic purposes.
Harmonic emissions IEC 61000-3-2	Class A	
Voltage fluctuations /flicker emissions IEC 61000-3-3	Passed	

IMMUNITY TEST

Immunity test	IEC 60601 test level	Compliance level	Electromagnetic environment — Guidance
Electrostatic discharge (ESD) IEC 61000-4-2	Contact: ± 8 kV Air: ± 15 kV	Contact: ± 8 kV Air: ± 15 kV	Floors should be wood, concrete or ceramic tile. If floors are covered with synthetic material, the relative humidity should be at least 30 %.
Electrical fast transient /burst IEC 61000-4-4	5/50 ns, 100 kHz, ± 2 kV	5/50 ns, 100 kHz, ± 2 kV	Mains power quality should be similar to that of a typical commercial or hospital environment.
Surge IEC 61000-4-5	1.2/50 (8/20) μ s LtL: ± 1 kV LtG: ± 2 kV	1.2/50 (8/20) μ s LtL: ± 1 kV LtG: ± 2 kV	Mains power quality should be similar to that of a typical commercial or hospital environment.
Voltage dips, short interruptions and voltage variations on power supply input lines IEC 61000-4-11	0 % UT for 0.5 cycle (1 phase) 0 % UT for 1 cycle 70 % UT for 25/30 cycles (50/60 Hz) 0 % UT for 250/300 cycles (50/60 Hz)	0 % UT for 0.5 cycle (1 phase) 0 % UT for 1 cycle 70 % UT for 25/30 cycles (50/60 Hz) 0 % UT for 250/300 cycles (50/60 Hz)	Mains power quality should be similar to that of a typical commercial or hospital environment. When the user of the device requires continuous function in the event of disruption of supply, it is recommended the device is operated from an uninterruptible power supply or battery.

Immunity test	IEC 60601 test level	Compliance level	Electromagnetic environment — Guidance
---------------	----------------------	------------------	--

Power frequency (50 Hz / 60 Hz) magnetic field IEC 61000-4-8	30 A/m	30 A/m	Power frequency magnetic fields should be at levels characteristic of a typical location in a typical commercial or hospital environment.
---	--------	--------	---

Conducted RF IEC 61000-4-6 Amplitude modulated	150 kHz – 80 MHz 3 V ISM and amateur radio bands 6 V T 80 % / 1 kHz	150 kHz – 80 MHz 3 V ISM and amateur radio bands 6 V T 80 % / 1 kHz	WARNING: Portable RF communications equipment (including peripherals such as antenna cables and external antennas) should be used no closer than 30 cm (12 inches) to any part of the device, including cables, specified by the manufacturer. Otherwise, degradation of the performance of this equipment could result.
--	---	---	--

Radio-frequency electromagnetic field Amplitude modulated	IEC 61000-4-3	80 MHz – 2.7 GHz 10 V/m T Home Healthcare T Prof. Healthcare T 80 % / 1 kHz	WARNING: Portable RF communications equipment (including peripherals such as antenna cables and external antennas) should be used no closer than 30 cm (12 inches) to any part of the device, including cables, specified by the manufacturer. Otherwise, degradation of the performance of this equipment could result.
--	---------------	---	--

Proximity fields from RF wireless communications equipment	IEC 61000-4-3	380 – 390 MHz 27 V/m; PM 50 %; 18 Hz 430 – 470 MHz 28 V/m; (FM ±5 kHz, 1 kHz sine) PM; 18 Hz 704 – 787 MHz 9 V/m; PM 50 %; 217 Hz 800 – 960 MHz 28 V/m; PM 50 %; 18 Hz 1700 – 1990 MHz 28 V/m; PM 50 %; 217 Hz 2400 – 2570 MHz 28 V/m; PM 50 %; 217 Hz 5100 – 5800 MHz 9 V/m; PM 50 %; 217 Hz	WARNING: Portable RF communications equipment (including peripherals such as antenna cables and external antennas) should be used no closer than 30 cm (12 inches) to any part of the device, including cables, specified by the manufacturer. Otherwise, degradation of the performance of this equipment could result.
--	---------------	---	--

I. WARRANTY & RETURN INFORMATION

PRONEB® MAX AEROSOL DELIVERY SYSTEM LIMITED WARRANTY

PARI offers a standard five (5) year limited warranty on the PRONEB® MAX Aerosol Delivery System and its parts. The warranty period will be printed on the serial number label located on the bottom of the compressor. PARI warrants that the PRONEB® MAX Aerosol Delivery System and its parts will be free from defects in workmanship and materials for a period of sixty (60) months, from the date of first retail purchase of the equipment. This warranty does not cover failures of the nebulizer, tubing, or accessories. This warranty does not extend to failures resulting from accident, misuse, abuse, alteration, use of unauthorized service; parts or cleaning solutions, or failure to comply with Instructions For Use. If the warranted equipment should fail during the warranty period, PARI, at its option, will repair or replace the equipment or parts at issue, provided the claim is bona fide. It shall be the responsibility of the purchaser to pack and return the equipment in a manner to avoid shipping damage. The shipment must be prepaid to PARI Respiratory Equipment, Inc. This warranty covers the cost of labor incurred in the removal or replacement of the warranted component parts at authorized PARI service centers only. To make a claim under this warranty, notify the authorized service center by calling PARI Patient Connection at: 1.800.FAST.NEB (327.8632), Press 2.

THERE ARE NO OTHER EXPRESS WARRANTIES. ALL IMPLIED WARRANTIES ON THE PRONEB® MAX Aerosol Delivery System AND ITS PARTS, INCLUDING IMPLIED WARRANTIES OF MERCHANTABILITY AND FITNESS FOR A PARTICULAR PURPOSE, ARE LIMITED TO SIXTY (60) MONTHS FROM THE DATE OF FIRST RETAIL PURCHASE.

ALL EXPRESS OR IMPLIED WARRANTIES ON ANY OTHER PARTS, INCLUDING THE IMPLIED WARRANTIES OF MERCHANTABILITY AND FITNESS FOR A PARTICULAR PURPOSE, ARE DISCLAIMED. Some states do not allow limitations on how long an implied warranty lasts, so the above limitation may not apply you. The sole and exclusive remedy under this warranty is to repair or replace the PRONEB® MAX Aerosol Delivery System and/or its parts at the option of PARI. IN NO EVENT SHALL PARI BE LIABLE FOR INCIDENTAL OR CONSEQUENTIAL DAMAGES TO THE PURCHASER OR ANY THIRD PARTY, INCLUDING WITHOUT LIMITATION, DAMAGES ARISING FROM LOST PROFITS, LOSS OF BUSINESS OPPORTUNITY, LOSS OF PROPERTY, ECONOMIC LOSSES, OR STATUTORY OR EXEMPLARY DAMAGES, WHETHER IN NEGLIGENCE, WARRANTY, STRICT LIABILITY OR OTHERWISE. Some states do not allow the exclusion or limitation of incidental or consequential damages, so the above limitations or exclusions may not apply to you. This warranty gives you specific rights. You may also have other rights which vary from State to State.

Register your PRONEB® max Aerosol Delivery System today with one of these three ways:



Online at [pari.com/register](https://www.pari.com/register)



Call 1.800.FAST.NEB (327.8632)



Fill out the pre-addressed, postage paid registration card and drop it in any USPS Mailbox.

Failure to register your PRONEB® MAX does not affect your standard product limited warranty.

If you have any problems and need to return your PRONEB® MAX compressor, contact PARI Patient Connection at 1.800.FAST.NEB (327.8632).

PARI Respiratory Equipment, Inc.
Tel: 1-800-FAST-NEB (327-8632) | 1-804-253-7274
www.pari.com | product.info@pari.com
2412 PARI Way, Midlothian, VA 23112
© 2020 PARI Respiratory Equipment, Inc.
130D0200 Rev B 07-20



INSTRUCCIONES DE USO

Solo para uso individual (un paciente)



IMPORTANTE: LEA LAS INSTRUCCIONES Y PRECAUCIONES DE SEGURIDAD ANTES DEL USO

PRONEB[®] MAX

AEROSOL DELIVERY SYSTEM

⚠ PRECAUCIÓN

La legislación federal de Estados Unidos restringe la venta de este dispositivo; su adquisición solo puede realizarse mediante receta médica.

SOLO RX

LEA TODAS LAS ADVERTENCIAS E INSTRUCCIONES ANTES DE UTILIZAR EL EQUIPO. USE EL PRODUCTO SOLO PARA EL PROPÓSITO QUE SE DESCRIBE EN ESTAS INSTRUCCIONES DE USO. UN USO INCORRECTO PUEDE PROVOCAR TRASTORNOS/LESIONES GRAVES O FATALES, TRATAMIENTO INADECUADO O DAÑO A LA PROPIEDAD.

! RECUERDE

■ Reemplace la TAZA del Nebulizador reutilizable cada SEIS meses

PRONEB[®] MAX

AEROSOL DELIVERY SYSTEM

¡Bienvenido a la experiencia PRONEB[®] MAX!

El Sistema de Administración por Aerosol

PRONEB[®] MAX está diseñado a partir del vasto legado de productos clínicamente

probados de PARI y consta de dos

componentes importantes: un compresor

PRONEB[®] MAX y un nebulizador PARI.

Su médico le recetó el sistema PRONEB[®] MAX

para tratar sus síntomas respiratorios porque

PARI es reconocido por proporcionar

un tamaño de partículas uniforme y

tratamientos rápidos que favorecen la

administración dirigida a los pulmones.

Los productos PARI se han utilizado en más

de 25 pruebas clínicas de medicamentos

nebulizados nuevos. Estas instrucciones

están diseñadas especialmente para ayudar

a los pacientes a lograr la mejor experiencia

posible en su terapia con aerosol.

Guarde estas instrucciones para

referencia futura

INSTRUCCIONES DE USO: LC PLUS[®]

El nebulizador reutilizable PARI LC PLUS[®] se utiliza para administrar medicamentos aerosolizados a los pulmones. Este nebulizador se usa con pacientes a quienes los médicos les han recetado medicamentos para tratamientos con aerosol en el hogar, la consulta médica, el hospital o la clínica.

A. PRECAUCIONES DE SEGURIDAD-LC PLUS[®]

▲ PRECAUCIÓN

La legislación federal de Estados Unidos restringe la venta de este dispositivo; su adquisición solo puede realizarse mediante receta médica. Utilícelo únicamente por indicación médica y con el medicamento recetado.

LC PLUS[®] es un nebulizador manual diseñado para aerosolizar medicamentos aprobados para nebulización y recetados por un médico. LC PLUS[®] está destinado al tratamiento de pacientes adultos y pediátricos de acuerdo con las indicaciones del medicamento en aerosol. El uso indebido de este producto puede ocasionar enfermedades fatales o lesiones graves. El nebulizador no es estéril.

▲ ADVERTENCIA

Utilícelo únicamente por indicación médica y con el medicamento recetado. Para lograr las características de gota especificadas, el compresor o suministro de aire central debe proporcionar de 3,5 a 8 lpm a un mínimo de 20 psi.

▲ ADVERTENCIA

1. Para reducir el riesgo de proliferación bacteriana, infección, enfermedad o lesión por contaminación, limpie y seque completamente todas las piezas del nebulizador y seque exhaustivamente cualquier humedad o condensación en la entubación al término de cada tratamiento, siguiendo las instrucciones que se indican a continuación.
2. Limpiar el nebulizador después de cada tratamiento no es suficiente; también debe desinfectar o esterilizar regularmente el nebulizador entre tratamientos para evitar enfermedades graves o fatales causadas por la contaminación del dispositivo.
3. Nunca use un nebulizador con una boquilla obstruida. Si la boquilla está obstruida, el vapor o aerosol disminuirá, se alterará o dejará de salir, lo que mermará o eliminará la eficacia del tratamiento. Si se produce una obstrucción, reemplace por el Nebulizador reutilizable PARI del mismo modelo.
4. Es necesario supervisar atentamente el uso de este producto, especialmente cuando hay niños cerca y personas con alguna discapacidad física o mental. Nunca lo use mientras duerme o está somnoliento.
5. El producto contiene piezas pequeñas que pueden presentar riesgo de asfixia para niños pequeños. La entubación además presenta un riesgo de estrangulación. SIEMPRE CUENTE CON LA SUPERVISIÓN DE UN ADULTO CUANDO ADMINISTRE EL TRATAMIENTO A UN NIÑO. NO DEJE SOLO AL NIÑO DURANTE EL TRATAMIENTO.
6. Los pacientes menores de 4 años o cualquier paciente con necesidades especiales deben usar una mascarilla facial en lugar de la boquilla con válvula.
7. Antes de usarlo, verifique que el nebulizador reutilizable PARI esté armado correctamente. Todas las piezas deben estar perfectamente ajustadas en su lugar. El uso de un nebulizador armado en forma incorrecta puede mermar o impedir el suministro adecuado de medicamento y la eficacia del tratamiento.

INSTRUCCIONES DE USO: SISTEMA DE ADMINISTRACIÓN POR AEROSOL PRONEB® MAX

El sistema PARI PRONEB® MAX es un compresor de aire de sobremesa de potencia CC cuyo propósito es suministrar una fuente de aire comprimido para usarse con nebulizadores tipo jet en pacientes a quienes les han recetado medicamentos para nebulización. Está destinado para pacientes adultos y pediátricos de 2 años en adelante, y se puede utilizar en hospitales, centros hospitalarios, hogares de ancianos, instituciones para tratamiento de enfermedades subagudas y entornos domésticos.

B. PRECAUCIONES DE SEGURIDAD - SISTEMA DE ADMINISTRACIÓN POR AEROSOL PRONEB® MAX

ENTORNO DE USO:

Como compresor de sobremesa, está diseñado para usarse en entornos de atención médica en el hogar y profesionales. No se permite su uso en trenes, vehículos motorizados ni aviones.

En entornos de atención profesional, el dispositivo solo debe usarse en salas de hospitalización y unidades de cuidados intensivos. El dispositivo nunca debe utilizarse en áreas expuestas a altos niveles de radiación magnética o eléctrica (por ejemplo, cerca de un escáner de resonancia magnética o equipos de seguridad electromagnéticos).

▲ ADVERTENCIA

Use solo nebulizadores y entubaciones autorizados por PARI para este dispositivo. Otros nebulizadores y entubaciones pueden provocar un tratamiento inadecuado.

Siempre es necesario tomar precauciones de seguridad básicas durante el uso de productos eléctricos y médicos, especialmente si hay niños presentes.

▲ PELIGRO

Con el fin de reducir el riesgo de lesiones graves o fatales por electrocución:

1. No coloque ni guarde el producto en un lugar del que pueda caerse o ser jalado a una bañera, lavabo, agua u otro líquido. No lo coloque ni lo deje caer en agua u otro líquido. No lo use mientras se baña.
2. No intente tomar un producto que ha caído al agua u otro líquido. Desenchúfelo de inmediato.

▲ ADVERTENCIA

A fin de reducir el riesgo de lesiones graves o fatales por electrocución, incendio o quemaduras y para reducir el riesgo de daños o funcionamiento incorrecto del producto:

1. Antes de usarlo, verifique la etiqueta con el número de serie en la parte inferior del Compresor PARI PRONEB® MAX para asegurarse de que el voltaje y la corriente indicados en ella coinciden con el voltaje y la corriente disponibles.
2. Nunca use el producto si el cable o enchufe están dañados, si no funciona adecuadamente, si se ha caído o dañado, o si ha sido expuesto a cualquier líquido que haya entrado en él. Devuelva el producto a PARI para que lo examinen y reparen.
3. Mantenga todos los cables eléctricos lejos de superficies calientes. No sobrecargue los tomacorrientes de pared ni use cables de extensión.
4. Este aparato cuenta con un enchufe polarizado (una pata es más ancha que la otra). Como medida de seguridad, este enchufe puede conectarse en una toma polarizada una sola posición. Si el enchufe no entra por completo en la toma, delo vuelta.

5. Nunca bloquee las ranuras de ventilación del compresor y tampoco ponga el compresor sobre superficies suaves como una cama o sofá, donde la ventilación pueda quedar bloqueada. Mantenga las ranuras de ventilación limpias y sin pelusas, pelo o sustancias similares. Si la ventilación queda obstruida, puede producirse una acumulación excesiva de calor. Este producto no debe dejarse desatendido mientras esté enchufado.
6. No utilice el producto en exteriores.
7. No es apto para el uso en presencia de mezclas anestésicas inflamables con aire, oxígeno u óxido nitroso.
8. No lo use en lugares donde se administra oxígeno en un entorno cerrado, como una tienda de oxígeno.
9. Nunca deje caer ni inserte ningún objeto en ninguna de las aberturas.
10. Siempre desenchufe el producto de inmediato después de usarlo.
11. Asegúrese de que el Compresor PARI PRONEB® MAX esté desenchufado antes de limpiarlo.
12. No abra ni desarme el Compresor PARI PRONEB® MAX. Derive cualquier tarea de mantenimiento a PARI.

▲ ADVERTENCIA

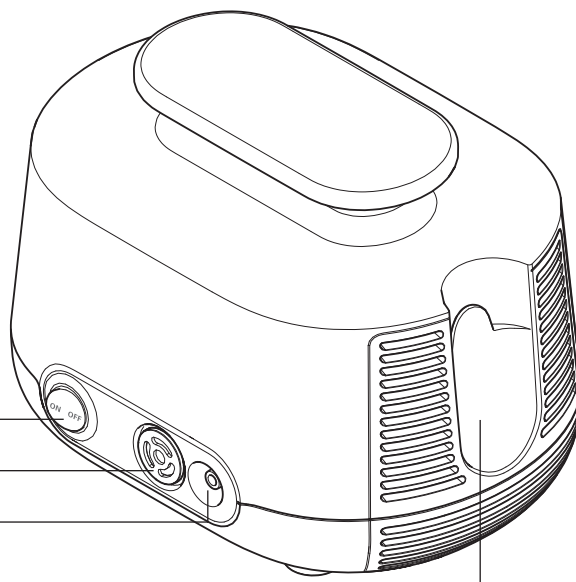
Para reducir el riesgo de que una menor interferencia electromagnética impida el funcionamiento correcto del compresor y provoque un tratamiento inadecuado:

1. Los dispositivos de comunicación de radiofrecuencia ("RF") portátiles y móviles pueden interferir con equipos médicos electrónicos.
2. Use solo los accesorios y cables autorizados por PARI para este dispositivo. Usar este dispositivo con accesorios y cables no autorizados puede provocar un aumento de sus emisiones electromagnéticas o una disminución de su inmunidad electromagnética.
3. Este dispositivo no debe usarse cerca o apilado con otros equipos. Si es necesario usarlo cerca o apilado con otros equipos, este dispositivo se debe observar para verificar que su funcionamiento sea normal.

C. GUÍA DE INICIO

Revise el paquete del sistema PRONEB® MAX para asegurarse de tener los elementos siguientes.

Es importante contar con un segundo nebulizador reutilizable PARI adicional en todo momento.



Interruptor eléctrico

Filtro de aire

Salida de aire

Sujetador del nebulizador reutilizable PARI

Hoja de recordatorios adhesivos de reemplazo del nebulizador

Hoja de recordatorios adhesivos de reemplazo del nebulizador	
REEMPLAZAR EN ENERO	REEMPLAZAR EN JULIO
REEMPLAZAR EN FEBRERO	REEMPLAZAR EN AGOSTO
REEMPLAZAR EN MARZO	REEMPLAZAR EN SEPTIEMBRE
REEMPLAZAR EN ABRIL	REEMPLAZAR EN OCTUBRE
REEMPLAZAR EN MAYO	REEMPLAZAR EN NOVIEMBRE
REEMPLAZAR EN JUNIO	REEMPLAZAR EN DICIEMBRE

Nebulizador reutilizable PARI (2 incluidos)

Tapa de la válvula inspiratoria

Inserto del nebulizador

Semicírculo del nebulizador

Salida del nebulizador

Boquilla con válvula espiratoria

Anillos de alineación

Taza del nebulizador

Ubicación sugerida para los recordatorios adhesivos de reemplazo del nebulizador

Entrada de aire

Entubación Wing Tip®

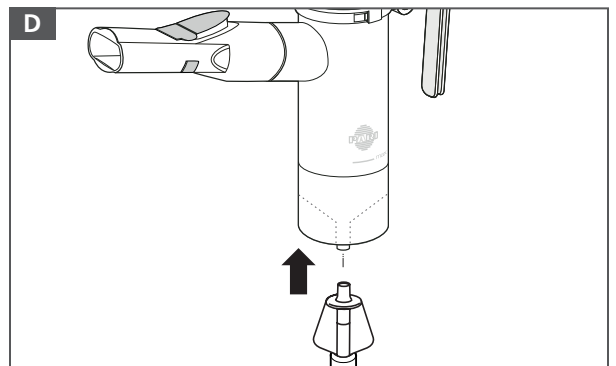
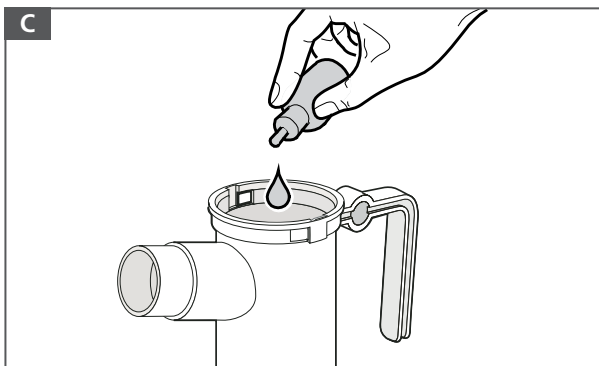
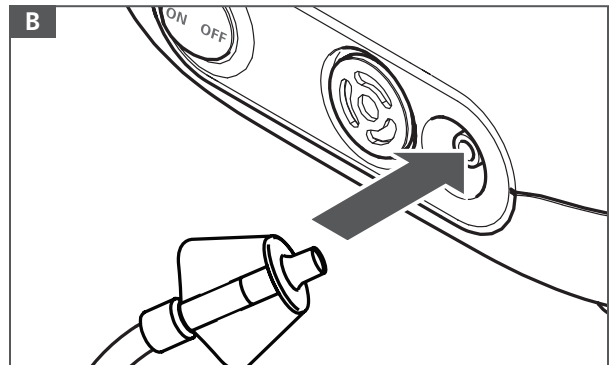
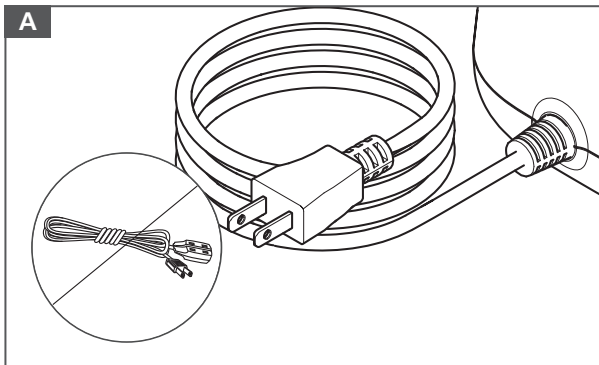
D. PREPARACIÓN DEL COMPRESOR PRONEB® MAX

Está a 10 pasos de comenzar su tratamiento con PRONEB® MAX. Siga las instrucciones paso a paso.

1. *Limpie y desinfecte la taza del nebulizador:* Consulte las instrucciones incluidas con el nebulizador para limpiar y desinfectar correctamente el nebulizador antes del primero uso. Vuelva a armar el nebulizador.
2. *Prepare el compresor:* Ubique el compresor en una superficie plana, estable y libre de polvo. Evite las superficies acolchadas, tapizadas o alfombradas. Asegúrese de que el interruptor de encendido esté en la posición de apagado ("OFF"). Enchufe el cable de alimentación en el tomacorriente de pared (Fig. A).
3. *Conecte la entubación al compresor:* Inserte un extremo de la entubación a la salida del aire del compresor. Debe quedar bien ajustado (Fig. B).
4. *Cargue el medicamento:* Extraiga el inserto del nebulizador girándolo en sentido antihorario hasta que tope y levántelo. Vierta la dosis recetada del medicamento en la taza del nebulizador (Fig. C). Nunca exceda la línea de llenado máximo de 8 ml.
5. *Instale la boquilla o mascarilla:* Si usa la boquilla, instale la boquilla en la salida del nebulizador con la válvula espiratoria orientada hacia arriba. Luego, cierre la tapa de la válvula inspiratoria presionándola firmemente sobre la parte superior del nebulizador. Si usa una mascarilla, instálela en la salida del nebulizador y consulte las instrucciones de la mascarilla.
6. *Instale la entubación en la taza del nebulizador:* Presione firmemente el otro extremo de la entubación en la parte inferior del nebulizador reutilizable PARI (Fig. D).
7. *Comienzo del tratamiento:* Siéntese en una posición recta y relajada y encienda el compresor ("ON").
8. *Posición del nebulizador:* Coloque la boquilla sobre su lengua y cierre los labios a su alrededor. Realice inhalaciones lentas y profundas. Cuando inhala, la válvula de inhalación se abre.
9. *Respiración:* Si usa una boquilla, inhale y exhale lentamente por la boca. Cuando exhala, la válvula de la boquilla se abre para dejar salir el rocío exhalado. Si usa una mascarilla, colóquese sobre la nariz y la boca e inhale y exhale lentamente.
10. *Término del tratamiento:* Continúe hasta que se acabe el medicamento o escuche un leve sonido de "chisporroteo". Apague el compresor.

NOTA SOBRE EL TIEMPO DE TRATAMIENTO

Tenga en cuenta que son muchos los factores que afectan el tiempo de tratamiento, como la edad del paciente, la enfermedad, el patrón de respiración y el medicamento. El sistema PRONEB® MAX fue diseñado para el uso intermitente en la administración de medicamentos respiratorios, no para el uso continuo para humidificación.



E. LIMPIEZA DEL NEBULIZADOR REUTILIZABLE PARI

1. Desconecte la entubación de la entrada de aire en la parte inferior de la taza del nebulizador.
2. Si hay humedad (condensación) en la entubación, deje el compresor funcionando solo con la entubación conectada durante 2 o 3 minutos. El aire tibio del compresor secará la entubación. Otra forma de secar la entubación es sacarla del compresor y colgarla con "los extremos hacia abajo" para que la humedad (condensación) se drene y se evapore. Use un paño limpio y húmedo para limpiar el exterior de la entubación.
3. Desarme el nebulizador reutilizable como se indica en la página 3.
4. Lave todas las piezas con agua tibia y detergente lavavajillas líquido. NO LAVE LA ENTUBACIÓN.
5. Enjuague bien las piezas del nebulizador reutilizable con agua tibia y sacúdalas para quitar el exceso de agua.
6. Deje secar las piezas al aire sobre un paño limpio y sin pelusas o séquelas a mano. Una vez que las piezas estén secas, vuelva a armar el nebulizador y guárdelo.
7. También puede lavar todas las piezas del nebulizador reutilizable en la bandeja superior de un lavavajillas. NO LAVE LA ENTUBACIÓN. Coloque las piezas del nebulizador reutilizable en una cesta para lavavajillas y coloque la cesta en la bandeja superior del lavavajillas. Cuando el ciclo del lavavajillas termine, retire las piezas y séquelas.

⚠ ADVERTENCIA

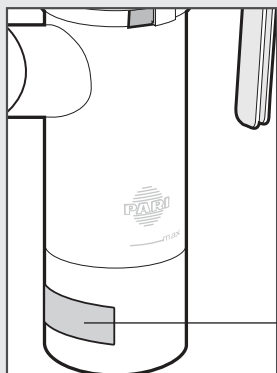
PARA REDUCIR EL RIESGO DE INFECCIÓN:

1. El nebulizador es para uso individual (un paciente) solamente. No comparta su nebulizador con otros pacientes.
2. Debe desinfectar o esterilizar regularmente el nebulizador entre tratamientos. No hacerlo puede causar enfermedades graves o fatales.

F. DESINFECCIÓN DEL NEBULIZADOR REUTILIZABLE PARI

1. Limpie el nebulizador como se describe en la Sección E. Para una desinfección menor cada dos días de tratamiento, sumerja todas las piezas del nebulizador reutilizable PARI (excepto la entubación y la mascarilla) en una solución de una parte de vinagre blanco destilado y 3 partes de agua caliente del grifo durante 1 hora. Puede reemplazar el desinfectante de equipos respiratorios (como Control III®) por vinagre blanco destilado (siga las instrucciones del fabricante con respecto a la mezcla).
2. Enjuague bien todas las piezas del nebulizador reutilizable PARI con agua tibia del grifo y séquelas con un paño limpio sin pelusas. Al terminar la desinfección, deseche la solución de vinagre.
3. También puede desinfectar las piezas del nebulizador reutilizable PARI (excepto la entubación y la mascarilla) hirviéndolas en una olla limpia con agua durante 5 minutos.
4. Los hospitales y clínicas pueden esterilizar las piezas del nebulizador reutilizable PARI (excepto la entubación y la mascarilla) en un autoclave a una temperatura máxima de 277° F o 136° C, siga las instrucciones del fabricante del autoclave.
5. Seque las piezas con un paño limpio y sin pelusas.

CONTROL III® es una marca registrada de Maril Products Inc.



Ubicación sugerida para los recordatorios adhesivos de reemplazo del nebulizador

! RECUERDE

REEMPLACE LA TAZA DEL NEBULIZADOR REUTILIZABLE CADA SEIS MESES

Es muy importante que reemplace el nebulizador reutilizable PARI cada 6 meses para mantener la eficacia de los tratamientos.

Ventajas de reemplazar la taza del nebulizador:

- Suministro consistente del medicamento a los pulmones
- Tratamientos rápidos y eficaces
- Se reduce la contaminación bacteriana*

Esta configuración del producto incluye un recordatorio adhesivo. Coloque el adhesivo que corresponda a seis meses desde la fecha del primer uso en la superficie lisa inferior de la taza del nebulizador, como se indica en la imagen. El adhesivo es seguro para el lavavajillas.

Después de aplicar el adhesivo, espere dos horas antes de limpiar el aparato.

ADVERTENCIA: El adhesivo puede constituir un riesgo de asfixia para niños pequeños, se requiere la supervisión de un adulto.

* Lester, Mary K. Nebulizer Use and Maintenance by Cystic Fibrosis Patients: (Uso y mantenimiento de nebulizadores por parte de pacientes con Fibrosis Quística:) A Survey Study (un estudio de investigación). *Respiratory Care* 2004; 49(12): 1504-1508.

G. MANTENIMIENTO DE SU PRONEB® MAX

El filtro de la parte frontal del Compresor PRONEB® MAX fue diseñado para que se pueda monitorear sin necesidad de retirarlo. Esto facilita su control sin requerir mucho trabajo. Cuando el filtro está nuevo, tiene un color blanco brillante. Con el uso, el filtro se volverá gris, lo que indica que debe reemplazarlo. Debe reemplazar inmediatamente el filtro si se moja o se obstruye. Una buena regla general es reemplazar el filtro cada 6 meses, al mismo tiempo que el nebulizador reutilizable PARI.

Para reemplazar el filtro, obtenga el conjunto de filtro de reemplazo con el número de pieza 130F1002P2, que incluye el filtro y la tapa del filtro (Fig. E). Extraiga el filtro usado y la tapa del compresor y deséchelos (Fig. F).

Después de retirar el filtro usado y la tapa, incline el compresor de modo que la cara de la unidad quede orientada hacia el suelo. Golpee suavemente la parte posterior del compresor para quitar cualquier material no deseado del área del filtro. Coloque el compresor en una superficie estable y con las manos limpias, introduzca el filtro nuevo con la tapa en el receptáculo del filtro.

NOTA: NO INTENTE LAVAR Y REUTILIZAR LOS FILTROS DE AIRE. NO USE OTRO MATERIAL PARA REEMPLAZAR EL FILTRO, PUESTO QUE PUEDE DAÑAR EL COMPRESOR.

COMPRESOR

Use un paño húmedo para limpiar el exterior de la carcasa y la entubación del sistema PRONEB® MAX.

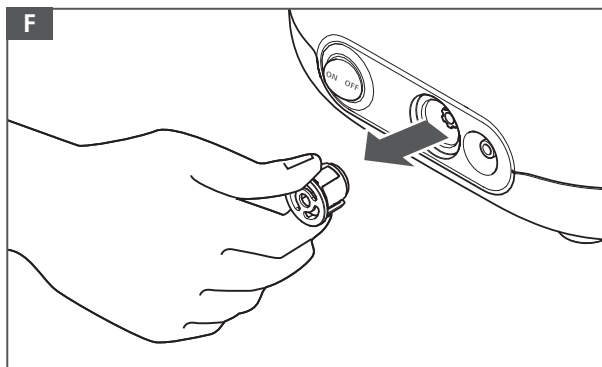
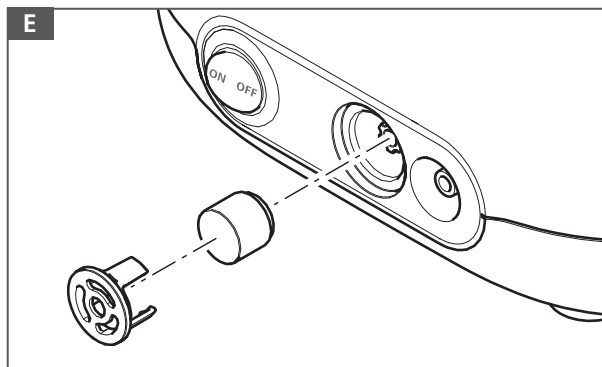
⚠ PRECAUCIÓN

Nunca rocíe líquido en las ranuras de ventilación del sistema PRONEB® MAX. El líquido puede causar daños en las piezas eléctricas y del compresor y un funcionamiento incorrecto. Si entra líquido en la unidad, comuníquese con PARI Patient Connection al 1.800.FAST.NEB (327.8632).

MANTENIMIENTO Y REPARACIÓN

Nunca use el sistema PRONEB® MAX si está armado de forma incorrecta o incompleta, o si está dañado. Use solo piezas y accesorios originales PARI autorizados por PARI para el Sistema de Administración por Aerosol PRONEB® MAX. El uso de otras piezas y accesorios puede dañar la unidad o causar un tratamiento incorrecto. No abra ni desarme la unidad del compresor en ningún momento.

NOTA: EL SISTEMA DE ADMINISTRACIÓN POR AEROSOL PRONEB® MAX NO CONTIENE PIEZAS QUE REQUIERAN MANTENIMIENTO EN SU INTERIOR. EL MANTENIMIENTO REALIZADO POR CUALQUIER OTRA PERSONA ANULA LA GARANTÍA.



ARTÍCULOS DE REEMPLAZO DE PRONEB® MAX

	Nº de pieza
Nebulizador reutilizable LC Sprint®	023F35
Nebulizador reutilizable LC PLUS®	022F81
Entubación Wing Tip®	044E0050
Filtro de reemplazo PRONEB® MAX (paquete de 2)	130F1002P2

H. ESPECIFICACIONES


ESPECIFICACIONES DE PRONEB® MAX


Peso:..... 3,75 lb
Dimensiones: 7,28 x 5,12 x 5,91 pulgadas
Requisitos eléctricos: 120 V CA, 60 Hz, 2 A
Voltaje de energía: 98 W, con carga normal
Condiciones ambientales de funcionamiento: 10° C a 40° C, (50° F a 104° F)
Longitud del cable de alimentación: 5 pies


CONDICIONES DE TRANSPORTE/ALMACENAMIENTO:


Temperatura ambiente: -25° C a 70° C, (-13° F a 158° F)
Humedad relativa: 10% a 93%
Presión atmosférica: 700 hPa a 1060 hPa


EXPLICACIÓN DE SÍMBOLOS

Atención: Lea todas las "Instrucciones de uso" antes de utilizar el sistema: 

Equipo de aislamiento cerrado Clase II 

Protección tipo "B" contra descarga eléctrica:..... 

No lo elimine como desechos no clasificados.
Consulte las leyes y regulaciones locales para la eliminación correcta:..... 

Interruptor eléctrico: 

Posición "On" (compresor funcionando): **ON**

Posición "Off" (compresor apagado):..... **OFF**

NOTA: CUANDO EL INTERRUPTOR ESTÁ EN LA POSICIÓN "OFF" Y EL COMPRESOR NO ESTÁ FUNCIONANDO, DE TODOS MODOS EXISTE POTENCIAL ELÉCTRICO EN EL INTERIOR DE LA CARCASA DEL COMPRESOR. PARA CORTAR LA ENERGÍA DEL COMPRESOR, DEBE DESCONECTAR EL CABLE DE ALIMENTACIÓN DEL TOMACORRIENTE.

RENDIMIENTO ESENCIAL

La evaluación de riesgos indica que no hay características esenciales de rendimiento.

ENTORNO ELECTROMAGNÉTICO

El dispositivo está destinado al uso en el entorno electromagnético especificado a continuación. El cliente o el usuario del dispositivo deben asegurarse de utilizarlo en el entorno indicado.

PRUEBA DE EMISIONES

Prueba de emisiones	Cumplimiento normativo	Entorno electromagnético - Guía
Emisiones de radiofrecuencia (RF) CISPR 11	Grupo 1	El dispositivo utiliza energía de RF únicamente para su funcionamiento interno. Por lo tanto, sus emisiones de RF son muy bajas y no es probable que provoquen interferencia en los equipos electrónicos cercanos.
	Clase B	El equipo puede ser utilizado en todos los establecimientos, inclusive en establecimientos domésticos y en aquellos conectados directamente a la red pública de baja tensión que alimenta a los edificios destinados a vivienda.
Emisiones armónicas IEC 61000-3-2	Clase A	
Fluctuaciones de tensión/emisiones intermitentes IEC 61000-3-3	Cumple	

PRUEBA DE INMUNIDAD

Prueba de inmunidad	Nivel de prueba de IEC 60601	Nivel de cumplimiento	Entorno electromagnético - Guía
Descarga electrostática (ESD) IEC 61000-4-2	Contacto: ± 8 kV Aire: ± 15 kV	Contacto: ± 8 kV Aire: ± 15 kV	El suelo debe ser de madera, cemento o baldosas de cerámica. Si el suelo está revestido de material sintético, la humedad relativa debe ser por lo menos de 30%.
Corrientes eléctricas transitorias rápidas/en ráfagas IEC 61000-4-4	5/50 ns, 100 kHz, ± 2 kV	5/50 ns, 100 kHz, ± 2 kV	La calidad de la corriente suministrada por la red de distribución de energía eléctrica debe ser la de un entorno comercial u hospitalario típico.
Sobretensión IEC 61000-4-5	1,2/50 (8/20) μ s LtL: ± 1 kV LtG: ± 2 kV	1,2/50 (8/20) μ s LtL: ± 1 kV LtG: ± 2 kV	La calidad de la corriente suministrada por la red de distribución de energía eléctrica debe ser la de un entorno comercial u hospitalario típico.
Caidas de tensión, interrupciones breves y variaciones de tensión en las líneas de entrada de alimentación IEC 61000-4-11	0% UT durante 0,5 ciclos (monofásico) 0% UT durante 1 ciclo 70% UT durante 25/30 ciclos (50/60 Hz) 0% UT durante 250/300 ciclos (50/60 Hz)	0% UT durante 0,5 ciclos (monofásico) 0% UT durante 1 ciclo 70% UT durante 25/30 ciclos (50/60 Hz) 0% UT durante 250/300 ciclos (50/60 Hz)	La calidad de la corriente suministrada por la red de distribución de energía eléctrica debe ser la de un entorno comercial u hospitalario típico. Si el usuario del dispositivo necesita que este continúe funcionando a pesar de cortes en el suministro de energía, se recomienda que el equipo sea alimentado por una fuente de energía continua o batería.

Prueba de inmunidad	Nivel de prueba de IEC 60601	Nivel de cumplimiento	Entorno electromagnético - Guía
Campo magnético de frecuencia de red (50/60 Hz) IEC 61000-4-8	30 A/m	30 A/m	Los campos magnéticos de frecuencia de red deben tener los niveles característicos de un lugar típico en un entorno comercial u hospitalario.
RF conducida IEC 61000-4-6 Amplitud modulada	150 kHz – 80 MHz 3 V En bandas de radio ISM y amateur 6 V T 80%/1 kHz	150 kHz – 80 MHz 3 V En bandas de radio ISM y amateur 6 V T 80%/1 kHz	ADVERTENCIA: Los equipos de comunicaciones por RF portátiles (incluidos periféricos como cables de antena y antenas externas) deben utilizarse a no menos de 30 cm (12 pulgadas) de distancia de cualquier parte del dispositivo, incluidos los cables, según las especificaciones del fabricante. De lo contrario, puede producirse una degradación del rendimiento de este equipo.
Campo electromagnético de radiofrecuencia Amplitud modulada	IEC 61000-4-3	80 MHz – 2.7 GHz 10 V/m T Atención médica doméstica T Atención médica profesional T 80%/1 kHz	ADVERTENCIA: Los equipos de comunicaciones por RF portátiles (incluidos periféricos como cables de antena y antenas externas) deben utilizarse a no menos de 30 cm (12 pulgadas) de distancia de cualquier parte del dispositivo, incluidos los cables, según las especificaciones del fabricante. De lo contrario, puede producirse una degradación del rendimiento de este equipo.
Campos de proximidad de equipos de comunicación inalámbrica por RF	IEC 61000-4-3	380 – 390 MHz 27 V/m; PM 50%; 18 Hz 430 – 470 MHz 28 V/m; (FM ±5 kHz, 1 kHz sinusoidal) PM; 18 Hz 704 – 787 MHz 9 V/m; PM 50%; 217 Hz 800 – 960 MHz 28 V/m; PM 50%; 18 Hz 1700 – 1990 MHz 28 V/m; PM 50%; 217 Hz 2400 – 2570 MHz 28 V/m; PM 50%; 217 Hz 5100 – 5800 MHz 9 V/m; PM 50%; 217 Hz	ADVERTENCIA: Los equipos de comunicaciones por RF portátiles (incluidos periféricos como cables de antena y antenas externas) deben utilizarse a no menos de 30 cm (12 pulgadas) de distancia de cualquier parte del dispositivo, incluidos los cables, según las especificaciones del fabricante. De lo contrario, puede producirse una degradación del rendimiento de este equipo.

I. INFORMACIÓN DE GARANTÍA Y DE DEVOLUCIÓN

GARANTÍA LIMITADA DEL SISTEMA DE ADMINISTRACIÓN POR AEROSOL PRONEB® MAX

PARI ofrece una garantía limitada estándar de cinco (5) años para el Sistema de Administración por Aerosol PRONEB® MAX y sus piezas. El período de garantía se imprimirá en la etiqueta del número de serie ubicada en la parte inferior del compresor. PARI garantiza que el Sistema de Administración por Aerosol PRONEB® MAX y sus piezas no presentarán defectos de materiales ni de fabricación por un período de sesenta (60) meses, a partir de la fecha de la primera compra del equipo en el mercado minorista. La garantía no cubre fallas del nebulizador, la entubación ni los accesorios. Esta garantía no se extiende a fallas resultantes de accidente, uso indebido, abuso, alteración, uso de servicio no autorizado; piezas o soluciones de limpieza o el incumplimiento de las Instrucciones de uso. Si el equipo con garantía falla durante el período de garantía, PARI, según su criterio, reparará o reemplazará el equipo o las piezas en cuestión, siempre y cuando el reclamo sea de buena fe. El comprador asumirá la responsabilidad de empaquetar y devolver el equipo de tal manera de evitar que se produzcan daños durante el transporte. El envío debe pagarse previamente a PARI Respiratory Equipment, Inc. Esta garantía cubre el costo de la mano de obra incurrida para retirar o reemplazar los componentes cubiertos por la garantía solamente en centros de servicio PARI autorizados. Para hacer un reclamo bajo esta garantía, notifique al centro de mantenimiento autorizado llamando a PARI Patient Connection al número: 1.800.FAST.NEB (327.8632), Presione 2.

NO EXISTEN OTRAS GARANTÍAS EXPRESAS. TODAS LAS GARANTÍAS IMPLÍCITAS DEL Sistema de Administración por Aerosol PRONEB® MAX Y SUS PIEZAS, INCLUIDAS LAS GARANTÍAS IMPLÍCITAS DE COMERCIALIZACIÓN Y ADECUACIÓN PARA UN PROPÓSITO PARTICULAR, SE LIMITAN A SESENTA (60) MESES A PARTIR DE LA FECHA DE LA PRIMERA COMPRA EN EL MERCADO MINORISTA.

TODAS LAS GARANTÍAS EXPRESAS O IMPLÍCITAS SOBRE CUALQUIER OTRA PIEZA, INCLUIDAS LAS GARANTÍAS IMPLÍCITAS DE COMERCIALIZACIÓN Y ADECUACIÓN PARA UN PROPÓSITO PARTICULAR, ESTÁN EXCLUIDAS. Algunos estados no permiten limitaciones en el período de vigencia de una garantía implícita, de manera que es posible que la limitación anterior no se aplique a usted. La reparación o el reemplazo del Sistema de Administración por Aerosol PRONEB® MAX y/o sus piezas, según el criterio de PARI, es la solución única y exclusiva que ofrece esta garantía. EN NINGUNA CIRCUNSTANCIA PARI ASUMIRÁ LA RESPONSABILIDAD POR DAÑOS INCIDENTALES O EMERGENTES EN EL COMPRADOR O CUALQUIER TERCERO, INCLUIDOS, PERO SIN LIMITACIÓN, DAÑOS POR PÉRDIDAS DE UTILIDADES, PÉRDIDA DE OPORTUNIDADES COMERCIALES, PÉRDIDA DE PROPIEDAD, PÉRDIDAS ECONÓMICAS, DAÑOS LEGALES O POR ESCARMIENTO, YA SEA POR NEGLIGENCIA, GARANTÍA, RESPONSABILIDAD CIVIL ESTRUCTIVA O DE OTRA NATURALEZA. Algunos estados no permiten la exclusión o limitación de daños incidentales o emergentes, de manera que es posible que las limitaciones anteriores no se apliquen a usted. Esta garantía le concede derechos específicos. Es posible que también tenga otros derechos, según el estado donde vive.

Registre su Sistema de Administración por Aerosol PRONEB® max hoy a través de uno de estos tres métodos:



En línea: visite pari.com/register



Por teléfono: llame al 1.800.FAST.NEB (327.8632)



Por correo postal: complete la tarja de registro preimpresa y prepagada y deposítela en cualquier buzón de correo USPS.

No registrar su sistema PRONEB® MAX no afecta la garantía limitada estándar del producto.

Si tiene algún problema y necesita devolver el compresor PRONEB® MAX, comuníquese con PARI Patient Connection al 1.800.FAST.NEB (327.8632).

PARI Respiratory Equipment, Inc.
Tel.: 1-800-FAST-NEB (327-8632) | 1-804-253-7274
www.pari.com | product.info@pari.com
2412 PARI Way, Midlothian, VA 23112
© 2020 PARI Respiratory Equipment, Inc.
130D0200 Rev B 07-20

