

KONCEPT



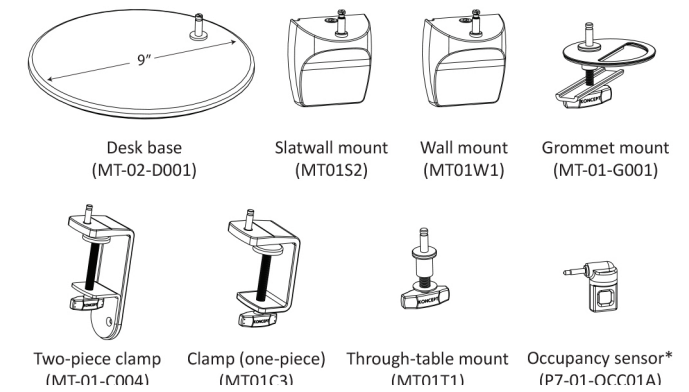
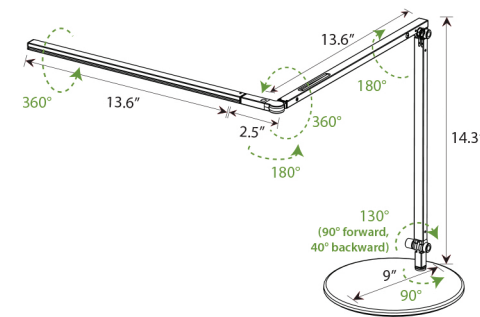
Z-BAR® SLIM DESK LAMP

When the classic Z-Bar® is too big and the Z-Bar® Mini is too small, Z-Bar® Slim will be just right for your space. Modeled in the classic Z-Bar® style, the slightly smaller Slim is a midsize Z-Bar® model that contains all of the great functionality of the classic Z-Bar®.

Lumens:	400
Energy Consumption:	8.5 watts
Number of LEDs:	35 LEDs
LED Rated Lifespan:	50,000 hours
Color Temperature (Typical) – Cool:	4,500 K
Color Temperature (Typical) – Warm:	3,500 K
Color Rendering Index (CRI):	85
Dimmer:	Built-in touchstrip
Brightness Adjustability:	Multiple dimming levels
Standard Color Finish*:	Metallic Black, Silver
Material:	Aluminum/Plastic
Cord Color:	Black
Cord Length:	10'
Transformer (100–240 V; 50/60 Hz):	Included – C-UL-US Certified

*Custom colors are available at additional cost. Contact Koncept or your sales representative for a quote.

- AR3200- - - - -
- CD = Cool White Light
 - WD = Warm White Light
 - MBK = Metallic Black
 - SIL = Silver
 - DSK = Desk Base
 - CLP = Clamp (One-Piece)
 - 2CL = Two-Piece Clamp
 - SLT = Slatwall Mount
 - WAL = Wall Mount
 - GRM = Grommet Mount
 - THR = Through-Table Mount



Potential LEED Points:

Energy & Atmosphere (EA)

Credit 1.1: Optimize Energy Performance
LED lighting to reduce energy consumption.
(Potential points: 3)

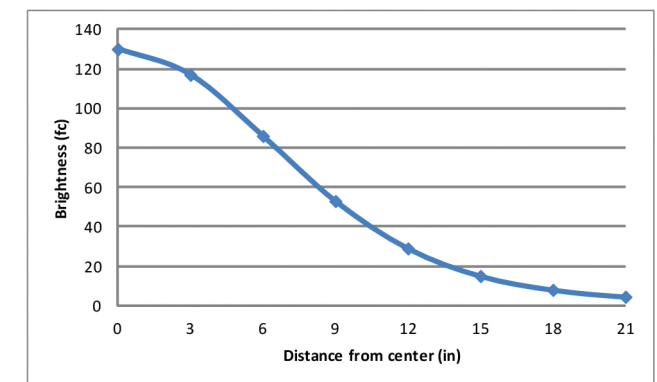
Innovation In Design (ID)

Credit 1.1- 1.4: Innovation in Design
Z-Bar® Slim features the original three-bar design for maximum reach and flexibility. The LED head can spin in its socket, sweep side to side, and rotate around the end of the arm to point in any direction. The lamp also features a built-in touchstrip for brightness adjustability.
(Potential points: 4)

Materials & Resources (MR)

Credit 4.1: Recycled Content - 10%
Lamps contain parts made out of 10% pre-consumer recycled content.
(Potential points: 1)
Credit 4.2: Recycled Content - 20%
Lamps contain parts made out of 20% pre-consumer recycled content.
(Potential points: 2)

Light source placed at 15" away from worksurface



(Shown: photometrics of diffused light model)

Lamp contains 40% preconsumer recycled material by weight*
Aluminum housing is fully recyclable
All color finishes use water-based paint

LEDs do not contain mercury

*in standard configuration (includes transformer and weighted base)