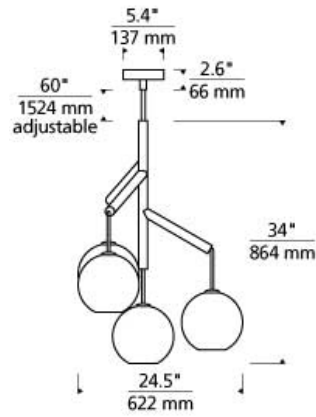


Sedona Single Chandelier LED T20

DESCRIPTION

The Sedona Single chandelier from Tech Lighting perhaps is best described as a deconstructed modern chandelier, where four glass orbs are each suspended from the sleek branchlike central hub via contrasting textured cloth covered cords to make a distinctly alluring visual statement. While each transparent clear or transparent smoke glass orb is perfectly spherical and smooth on the exterior surface, the interior surface features gradually thickening bands of glass which are artfully crafted by talented artisans to add alluring visual interest and dimension to your space. Whether you select the single, double or triple chandelier, you are sure to find a option perfect for your kitchen island lighting, dining room lighting or living room lighting application. Its two fully dimmable vintage tubular style LED lamping options are not only energy efficient, but also allow you to customize these pendant lights to your desired ambiance. Rated for up to (4) 60 watt max E26 medium based lamps (Lamps Not Included). LED includes (4) 3.5 watt, (1200 delivered lumens 2700K, medium base LED vintage radio lamps. Fixture provided with sixty inches of variable rigid stems (includes four 12" stems & two 6" stems). Ships with 9 inches of field-cuttable black cloth cord. Dimmable with LED compatible or triac dimmer. Can be installed on a sloped ceiling up to 45°.



INSTALLATION

This product can mount to either a 4" square electrical box with round plaster ring or an octagon electrical box.

ACCESSORIES & OPTICAL CONTROLS

Line-voltage Swag Hook

WEIGHT

7.5-7.5lb / 3.4-3.4kg ±



clear / aged brass



smoke / aged brass



smoke / satin nickel

ORDERING INFORMATION

| 700SDNMP | SHAPE OR SIZE | COLOR | FINISH | LAMP |
|----------|---------------|--------------------------------|--------------------------------|--|
| R1 | SINGLE | C CLEAR K TRANSPARENT SMOKE | R AGED BRASS S SATIN NICKEL | NO LAMP -LED927 T14 LED 90 CRI 2700K 120V (T20/T24) |



TECH LIGHTING®

7400 Linder Avenue T 847.410.4400
Skokie, Illinois 60077 F 847.410.4500

Tech Lighting, L.L.C.

700 SDNMP _____

FIXTURE TYPE: _____

JOB NAME: _____

NOTES: _____



©2018 Tech Lighting, L.L.C. All Rights Reserved. The "Tech Lighting" graphic is a registered trademark of Tech Lighting, L.L.C. Tech Lighting reserves the right to change specifications for product improvements without notification.