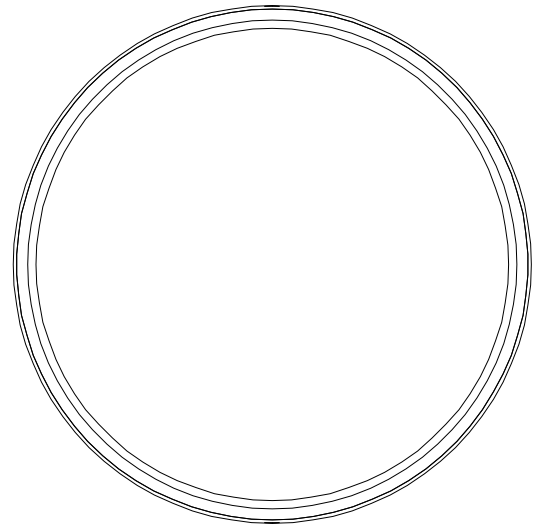
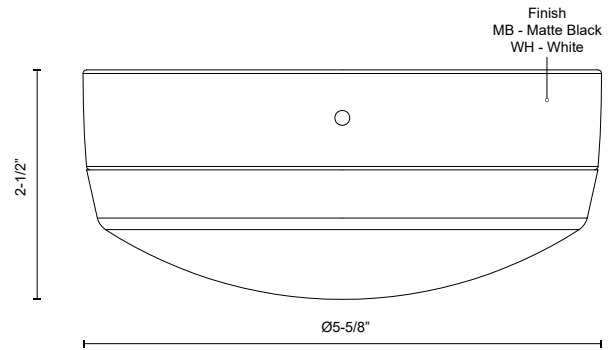


**HUGO**  
**X-LK-929**  
 ACCESSORIES

PROJECT

**DESCRIPTION**



**SPECIFICATION DETAILS**

<b>Fixture Dimensions</b>	D5-5/8" x H2-1/2" Fan Dimension with LK: D52" x H15"
<b>Light Source</b>	LED
<b>Total Lumens</b>	1900lm
<b>Delivered Lumens</b>	MB-1111lm;WH-1097
<b>Voltage</b>	120V
<b>Color Temperature</b>	3000K
<b>CRI (Ra)</b>	90CRI
<b>LED Rated Life</b>	50,000 hours
<b>Dimming</b>	Remote/Smart Dimming
<b>Diffuser Details</b>	Frosted Polycarbonate Lens
<b>Location</b>	Wet
<b>Illumination Direction</b>	Down
<b>Paint Finish</b>	MB01; WH01;
<b>Control</b>	Remote + Smart Control
<b>Material</b>	Aluminum + PC

\* For custom options, consult factory for details.  
 \* For warranty information, please visit [www.kuzcolighting.com/warranty](http://www.kuzcolighting.com/warranty)

**KUZCO**

CANADA: 19054 28TH AVENUE - SURREY, BC V3Z 6M3  
 USA: 3035 E. LONE MOUNTAIN ROAD - LAS VEGAS, NV 89081

[WWW.KUZCOLIGHTING.COM](http://WWW.KUZCOLIGHTING.COM)

© 2024 KUZCO LIGHTING. ALL RIGHTS RESERVED.

**COMMENT**

