

# W05916/W05922

## INSTALLATION INSTRUCTIONS SHEET

### START FROM HERE

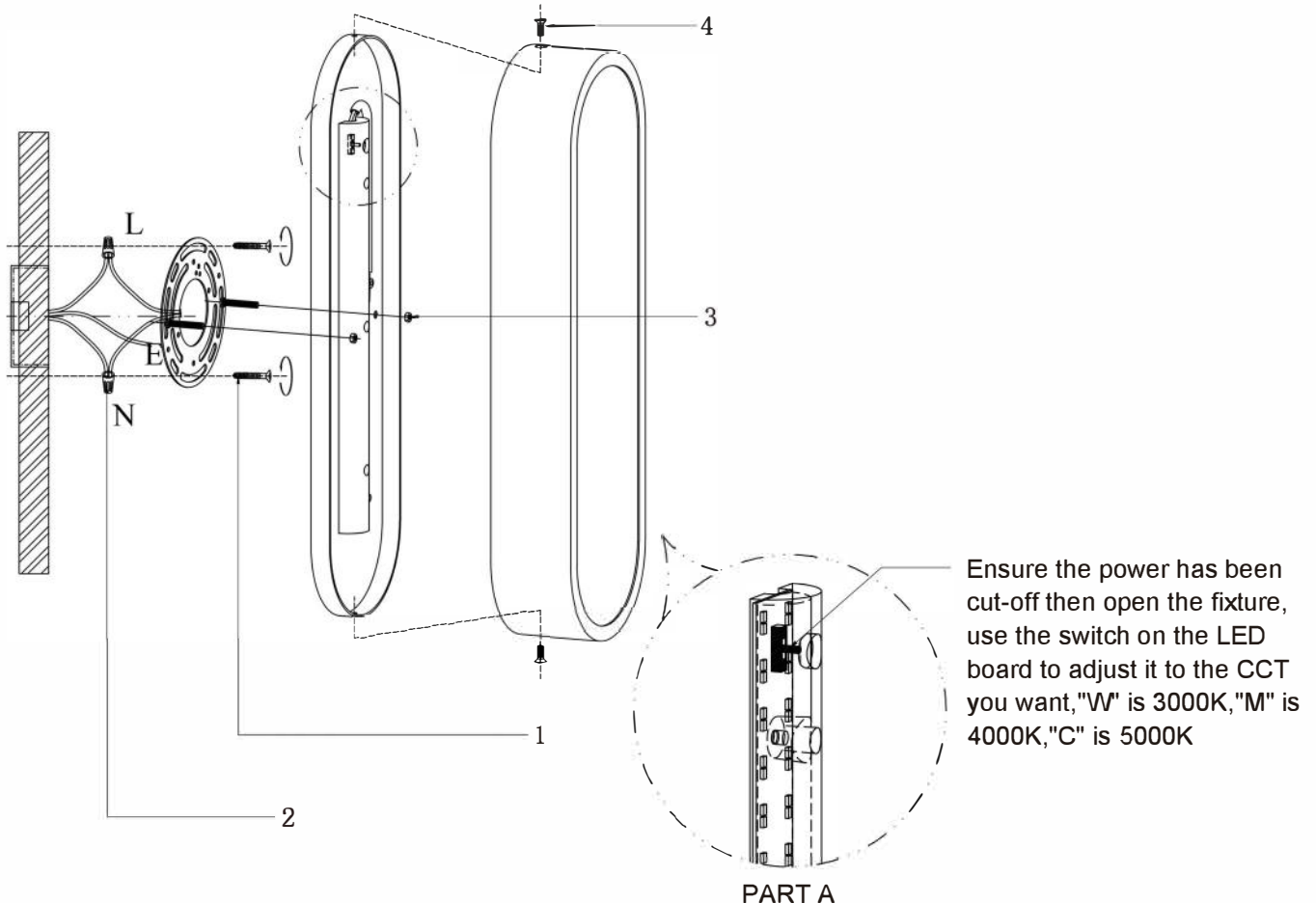
- Make sure power is completely off at the fuse box.
- Have your fixture installed by a qualified licensed electrician
- Prepare everything in clear area.
- Wear gloves at all times during this installation.
- Read instructions carefully before you start assembly.
- Keep this instruction sheet for future reference.

**Technical Support:** 1-844-628-8368

### Please Note:

- All Matteo Lighting fixtures come with pre-wired module(s).
- Unless instructed to do so, please do not touch any part of the module(s) as unnecessary contact with the module could cause permanent damage.

THIS LUMINAIRE MUST BE MOUNTED OR SUPPORTED IN A JUNCTION BOX  
*CE LUMINAIRE DOIT ÊTRE MONTÉ OU SUPPORTÉ DANS UNE BOÎTE  
DE JONCTION*



- Ensure main supply is switched off
- Use M4 screws to fix the mounting bracket onto junction box (1)
- Connect wires according to colour (White to White, Black to Black). Connect all earth lug together onto the crossbar with green screw to tight (2)
- Use M4 screws to fix the canopy onto mounting bracket (3)
- Use M4 screws to fix the light body onto canopy (4)
- Reconnect power
- Lamping: AC LED 12W(W05916) / 16W(W05922) CRI90 Triac dimming, 3CCT: 3000K/4000K/5000K optional, see Part A for the instruction.

### WARNING:

- This fitting must be earthed.
- Disconnect power and allow fitting to cool down before cleaning or changing the lamp.