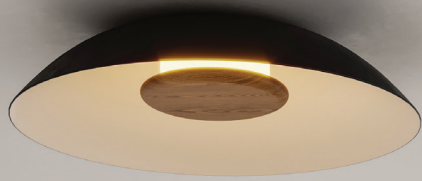
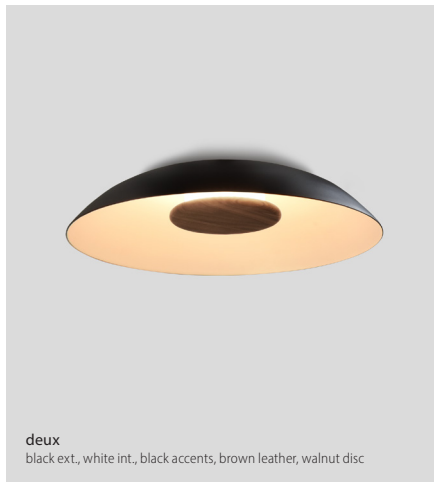
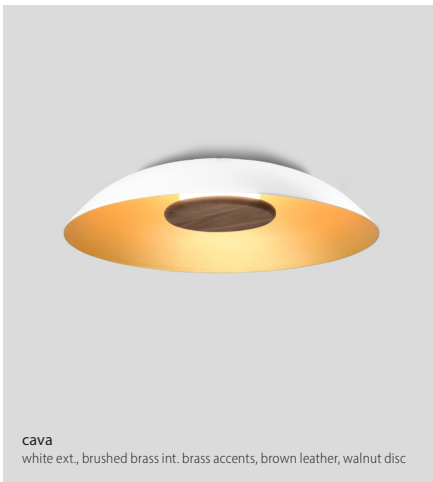
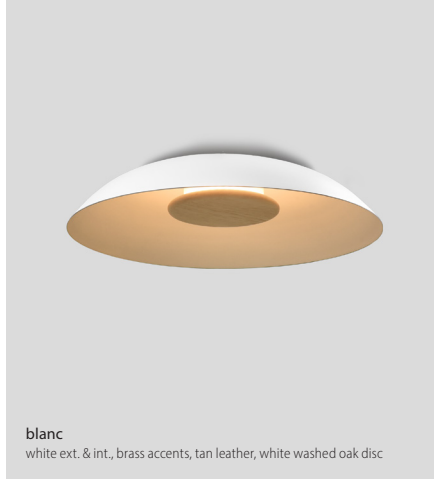
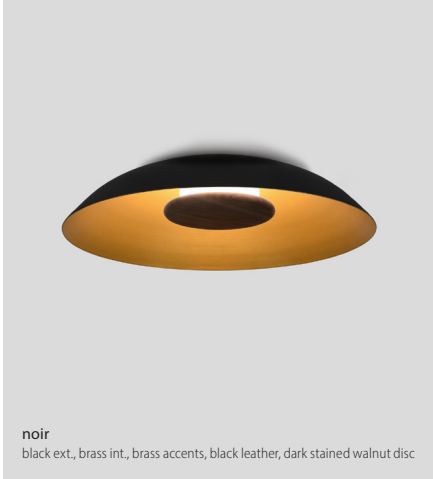


cerno®

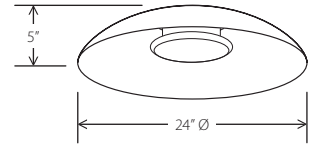


DESIGNED AND MADE IN CALIFORNIA

Volo Flush Mount



Volo flush mount



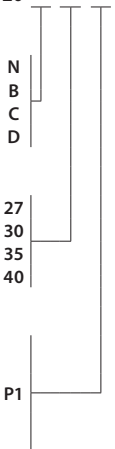
Dimensions: 24" dia., 5"  
 Product weight: 7 lb  
 Light source: integrated LED  
 Light output: 2625 Lumens (source)  
 Output based on white shade interior  
 Alternate finishes will reduce lumen output  
 Light color: 2700 K, 3000 K, 3500 K, or 4000 K  
 Color accuracy: 90+ CRI  
 Power usage: 27 W  
 Dimmable (see power options below)  
 Wood grain will vary  
 Specifications subject to change



Volo flush mount part # 08-120-

*Finish Options*

noir  
 blanc  
 cava  
 deux



*Lamping*

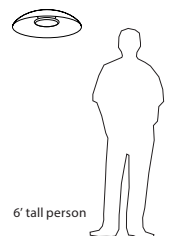
2700 K LED  
 3000 K LED  
 3500 K LED  
 4000 K LED

*Power option*

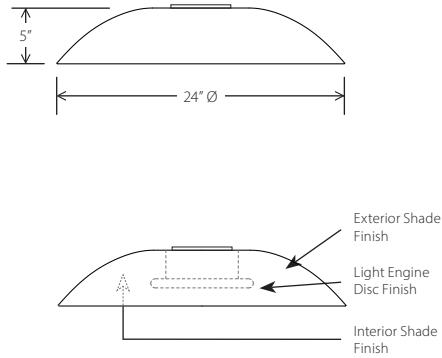
AC Input Voltage Range: 120-277 V  
 120 V input: TRIAC, ELV & 0-10 V dimmable  
 240 & 277 V input: only 0-10 V dimmable

**For expanded offering see Specification Sheet.**

The handcrafted Volo flush mount is a celebration of natural materials. The solid hardwood, brass finish, and aluminum showcase the purposeful design that went into each detail. The indirect LED light source emits light of beautiful quality.



**⚠ WARNING.** California Proposition 65 Warning for California Consumers. This product can expose you to chemicals including wood dust and lead which are known to the State of California to cause cancer or birth defects or other reproductive harm. For more information go to [www.P65Warnings.ca.gov](http://www.P65Warnings.ca.gov)



Standard combinations on the previous page are stocked. Fixture specified by using the SKU builder below are subject to increased lead times and minimum order quantities.

Volo flush mount part # 08-120-

*Exterior Shade Finish*

- textured black powder coat (CM-049)
- textured white powder coat (CM-060)
- brushed brass (CM-120)
- distressed brass (CM-117)

*Interior Shade Finish*

- textured white powder coat (CM-060)
- brushed brass (CM-120)
- distressed brass (CM-117)

*Light Engine Disc Finish*

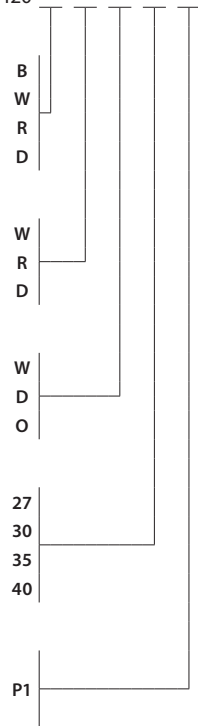
- walnut (CM-001)
- dark stained walnut (CM-002)
- white washed oak (CM-095)

*Lamping*

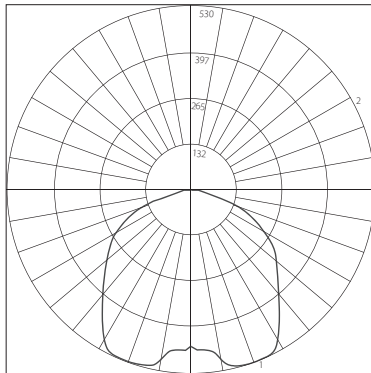
- 2700 K LED
- 3000 K LED
- 3500 K LED
- 4000 K LED

*Power Option*

- AC Input Voltage Range: 120-277 V
- 120 V Input: TRIAC, ELV & 0-10 V dimmable
- 240 & 277 V input: only 0-10 V dimmable



## PHOTOMETRIC POLAR GRAPH



Maximum Candela = 533  
 Located at  
 Horizontal Angle = 0,  
 Vertical Angle = 24

## TECHNICAL SPECIFICATIONS

- Light source: integrated LED
- Light output: 2625 Lumens (source)
- Output based on white shade interior
- Alternate finishes will reduce lumen output
- Light color: 2700 K, 3000 K, 3500 K, or 4000 K
- Color accuracy: 90+ CRI
- Input Voltage: 120-277 V AC
- Power usage: 27 W
- Dimmability: TRIAC, ELV & 0-10 V dimming
- Suitable for a sloped ceiling up to 45 degrees
- Specifications subject to change



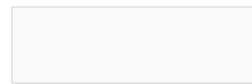
## FINISHES



textured black powder coat (CM-049)



brushed brass (CM-120)



textured white powder coat (CM-060)



distressed brass (CM-117)



white washed oak (CM-095)



walnut (CM-001)



dark stained walnut (CM-002)

**WARNING.** California Proposition 65 Warning for California Consumers. This product can expose you to chemicals including wood dust and lead which are known to the State of California to cause cancer or birth defects or other reproductive harm. For more information go to [www.P65Warnings.ca.gov](http://www.P65Warnings.ca.gov)