

TUBES 2 WALL

Charles Kalpakian

Family of pendant, wall and ceiling lamps, with elements in extruded aluminium. Opal polycarbonate diffusers, for a warm and ambient lighting. Adjustable elements in the wall versions. Available also with dimmer push on the body of the lamp. Ceiling version with a 340° rotation for the ceiling fixed element while the other element is adjustable by 90°.



PUSH

LAMPING

Source	LED board
Total power	2x5,5W
Emission	orientable, spot
Switching	push on board
Tension	230V
Color temperature	2700K
Luminous flux	2 x 450lm
Typ cri	80
Materials	aluminium
Notes	orientable on three axes, also available in 120V

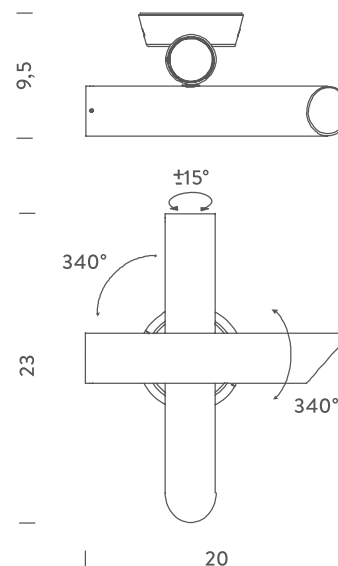
Codes

TTB LWC 33
TTB LWW 33
TTB LNN 33

Structure

white / copper
white/white
black/black

Certificazioni



TRIAC

LAMPING

Source	LED board
Total power	2x5,5W
Emission	orientable, spot
Switching	dimmable TRIAC
Tension	230V
Color temperature	2700K
Luminous flux	2 x 450lm
Typ cri	80
Materials	aluminium
Notes	orientable on three axes, also available in 120V

Codes

TTB LWC 32
TTB LWW 32
TTB LNN 32

Structure

white / copper
white/white
black/black

Certificazioni

