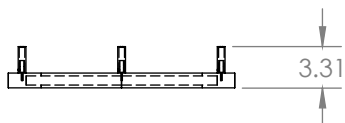
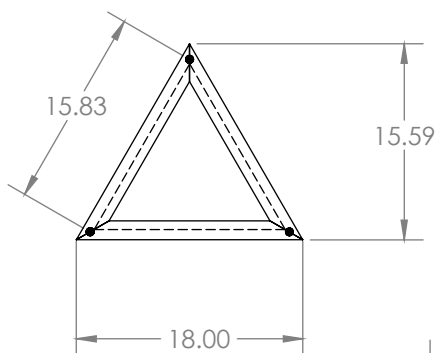


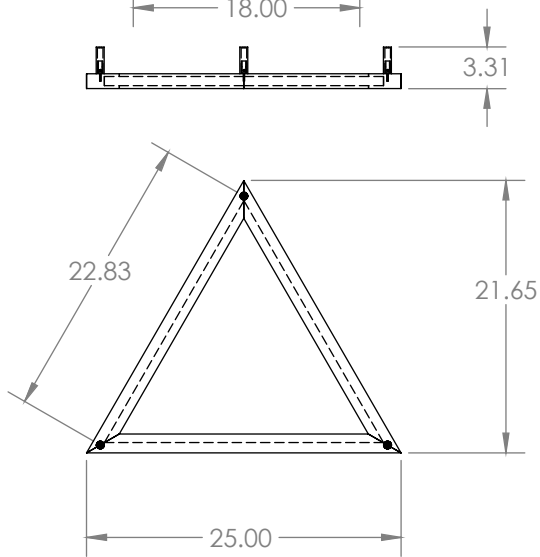
## DIMENSIONS



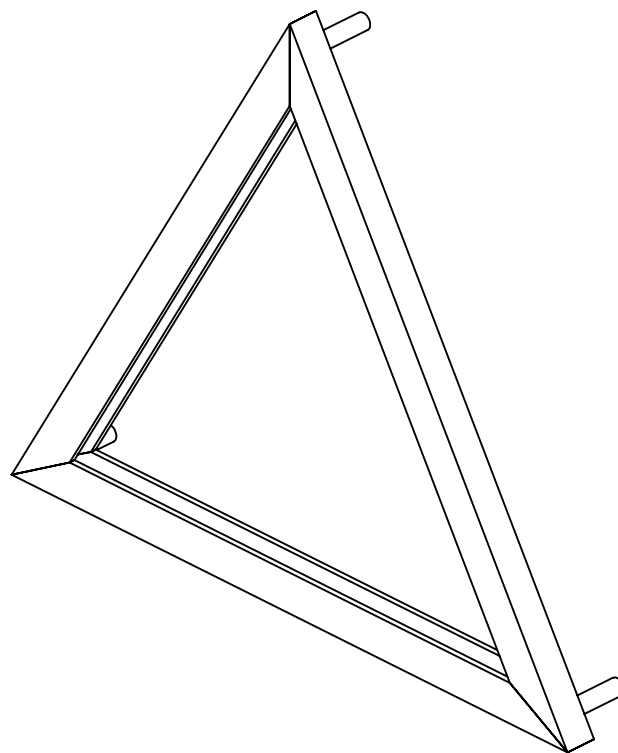
### Small



### Large



# triangle sconce



## DESIGN

2015

## MATERIALS

Solid wood  
24V LED extrusion  
Sconce hardware

## CERTIFICATION



## COLOR TEMP

3000K  
Custom upon request

## POWER CONSUMPTION

19.5 W/metre  
Small:32W, Large:45W

## OUTPUT

388 lumens/ft  
Small: 1745lm, large: 2424 lm  
Equivalent incandescent 75-100W

## DIMMING TYPE

24V phase dimmable driver  
0-10V dimmable driver upon request

## DRIVER

120VAC - 24VDC  
120 - 277VAC - 24VDC upon request

## SUSPENSION

Three point connection (per fixture)  
Single canopy connection  
Surface mount canopy or  
remote driver capability  
10ft power cord length  
\*Custom lengths upon request

## FIXTURE WEIGHT

Small: 3 lbs  
Large: 4 lbs

## SIZE WOOD

Small W.Oak White  
Large W.Oak Natural  
W.Oak Black  
Walnut

## ORDER SPECIFICATIONS:

TRIAsconce		
------------	--	--

MODEL

SIZE

WOOD

**hollis+morris**