

Dynamic. Sleek. Efficient. Flexible.

splitty



Designers

Kenneth Ng & Edmund Ng

Red Dot Design Award 2018

iF Design Award 2018

Best of NeoCon Gold 2017

Interior Design Best of Year Honoree 2017

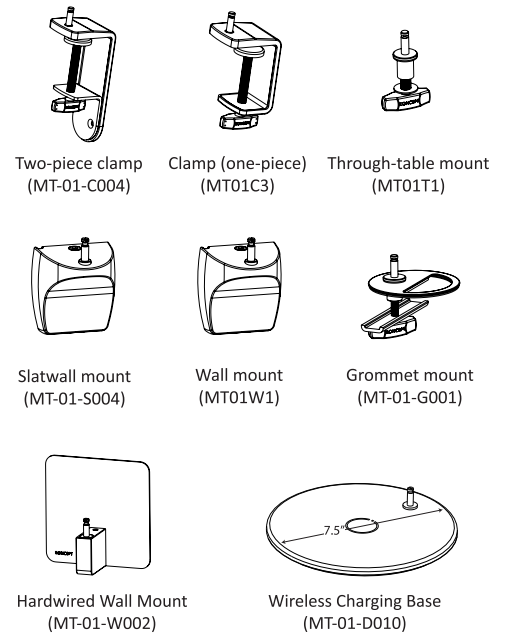
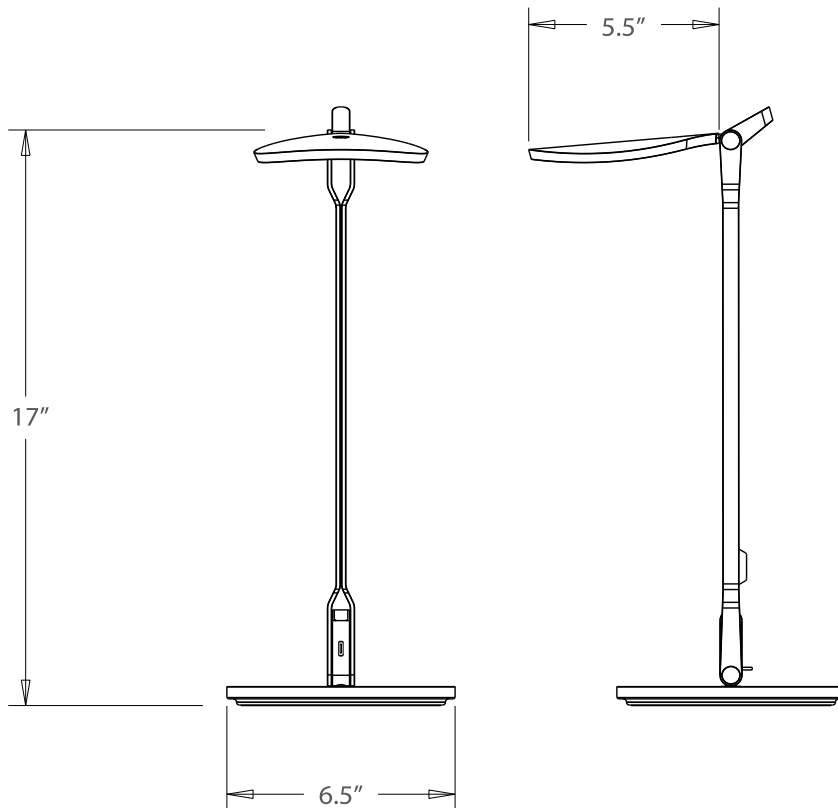
Splitty gets its name from its unique joint design and is one of the most flexible lights in the Koncept collection. Standing at 17" high, Splitty shines beautiful light onto any surface. When illuminated, the wide LED head casts an even glow thanks to the fully diffused light panel. Koncept designers made every effort to perfect the diffused light source with hidden LEDs so that the lamp performs as a radiant ambient light as well as a functional task light. Multiple mounting options can free up desk space and a discreet USB port allows users to charge most phones or tablets. Splitty Pro features a built-in occupancy sensor to maximize energy efficiency.

Lumens: 500
 Energy Consumption: 5.8 W
 Rated Lifespan: 50,000 hours
 Color Temperature: Warm (3,500 K)
 CRI: 85
 Dimmer: Built-in
 Brightness Adjustability: Continuous Dimming
 Standard Finishes: Silver, Matte Black, Matte Grey*, Matte White*,
 Matte Pacific Blue*, Matte Leaf Green*,
 Matte Orange*
 Material: Aluminum, plastic
 USB port: Built-in; 1A (Splitty) / 2A (Splitty Pro)
 Occupancy Sensor: Built-in (Splitty Pro only)

SPY - W - - - -

- SIL = Silver
- MTB = Matte Black
- MGY = Matte Grey*
- MPB = Matte Pacific Blue*
- MLG = Matte Leaf Green*
- MWT = Matte White*
- MOR = Matte Orange*
- USB = Splitty
- PRO = Splitty Pro
- DSK = Standard desk base
- CLP = Clamp
- 2CL = Two-piece clamp
- SLT = Slatwall mount
- WAL = Wall mount
- THR = Through table mount
- GRM = Grommet mount
- HWS = Hardwired wall mount

*Finish not available for Splitty Pro



Potential LEED Points:

Energy & Atmosphere (EA)

Credit 1.1: Optimize Energy Performance
 LED lighting to reduce energy consumption.
 (Potential points: 3)

Innovation In Design (ID)

Credit 1.1- 1.4: Innovation in Design
 Splitty features a unique joint design for maximum reach and flexibility. The LED head and body can each rotate 360 and bend forward/back. A discrete power button also serves as the brightness adjuster. An occupancy sensor in Splitty Pro maximizes the already-high energy efficiency.
 (Potential points: 4)

Materials & Resources (MR)

Credit 4.1: Recycled Content - 10%
 Lamp contain parts made out of 10% pre-consumer recycled content.
 (Potential points: 1)

Credit 4.2: Recycled Content - 20%
 Lamp contain parts made out of 20% pre-consumer recycled content.
 (Potential points: 2)

