

# KLEE 70 FLOOR LAMP

## PRODUCT FEATURES

- A minimalist design with powerful illumination, Klee features straight lines and a thin LED light guide panel set on an optional White Marble base.
- Available in three finishes, Polished Nickel or Natural Brass that will patina over time with a White Marble Base and Nightshade Black.
- Illuminates at a 3000K CCT for ultimate modern lighting
- Integrated 3-step touch-dimmer
- Includes 6 feet of black cloth cord
- Protected by a 5-year warranty. Please visit the "About Us" Page on [techlighting.com](http://techlighting.com) for more for warranty details

## LAMPING

Includes 120-240 volt 12.3 watts, 1381 delivered lumens, 2700K LED module. Built-in three way dimming. Includes 6 feet of black cloth cord.



Polished Nickel/  
White Marble



Polished Nickel/  
White Marble



Natural Brass/  
White Marble

## ORDERING INFORMATION

### 700PRTKLE70 FINISH

- NB** NATURAL BRASS/MARBLE
- B** NIGHTSHADE BLACK
- N** POLISHED NICKEL/MARBLE

### LAMP

-LED927 INTEGRATED LED 90 CRI 2700K 120V

700PRTKLE70 \_\_\_\_\_

JOB NAME \_\_\_\_\_

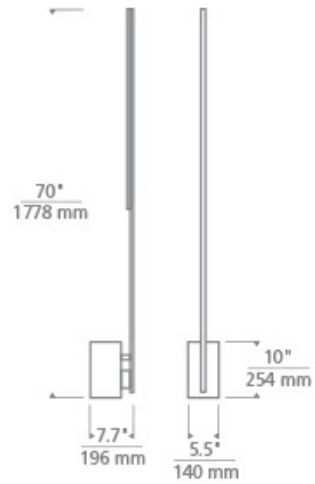
NOTES \_\_\_\_\_



# KLEE 70 FLOOR LAMP

## SPECIFICATIONS

HARDWARE MATERIAL	Metal
SHADE MATERIAL	Acrylic
NET WEIGHT	25 lbs
HEIGHT	70in
WIDTH	7.6in
LENGTH	5.5in
WET LISTED	
DAMP LISTED	Yes
DRY LISTED	
GENERAL LISTING	
INCLUDES	



## LAMPING SPECIFICATIONS

	LED LAMP	INTEGRATED LED	NON LED	NO LAMP
DELIVERED LUMENS		1381		
WATTS		12.3		
MAX WATTAGE PER BULB		12.3W		
INPUT VOLTAGE		120-240V		
DIMMING TYPE*				
CCT		2700K		
CRI		90 CRI		
LED LIFETIME				
L70				
AVERAGE BULB HOURS		50000		
FIELD SERVICEABLE LED				
LAMP BASE		Integrated LED		
LAMP SHAPE		Integrated LED		
LAMP INCLUDED?		Y		
WARRANTY**		5 Years		

\* Dimming information available at [www.techlighting.com/Downloads#dimming](http://www.techlighting.com/Downloads#dimming)  
 \*\* Visit [techlighting.com](http://techlighting.com) for specific warranty limitations and details.

## T20 / T24 INFORMATION

	Integrated LED	Replacement LED Lamp	No Lamp *
This product can be used to comply with California Building Energy Efficiency Standards 2016 <b>Title 24</b> Part 6.	No		
This product can be used to comply with California Appliance Efficiency Standards 2016 <b>Title 20</b> and may be shipped to and sold in California.	Yes		

\* If a light fixture or component does not include a lamp or light source, it is the responsibility of the customer to select a lamp that meets the T24 and T20 requirements.

