

KLEE 43 FLOOR LAMP

PRODUCT FEATURES

- Klee 43 Floor Lamp features a minimalist design with clean, geometric lines.
- Offered in three finishes, White Marble accented with Natural Brass that will patina over time or Polished Nickel and Nightshade Black. Klee Collection also includes Chandelier, Flush Mount, Wall Scon
- Features integrated LED and a thin acrylic panel of light guide technology providing a generous amount of illumination.
- An integrated 3-step touch dimmer conveniently designed to achieve your desired ambiance.
- Includes 6 feet of black cloth cord
- Protected by a 5-year warranty. please visit the "About Us" Page on techlighting.com for more for warranty details

LAMPING

Includes 120-240 volt 10.1 watts, 1075 delivered lumens, 2700K LED module. Built-in three way dimming. Includes 6 feet of black cloth cord.



Nightshade Black/
Nightshade Black



Nightshade Black/
Nightshade Black



Polished Nickel/
White Marble



Natural Brass/
White Marble

ORDERING INFORMATION

700PRTKLE43 FINISH

- NB** NATURAL BRASS/MARBLE
- B** NIGHTSHADE BLACK
- N** POLISHED NICKEL/MARBLE

LAMP

-LED927 LED 90 CRI 2700K 120V

700PRTKLE43 _____

JOB NAME _____

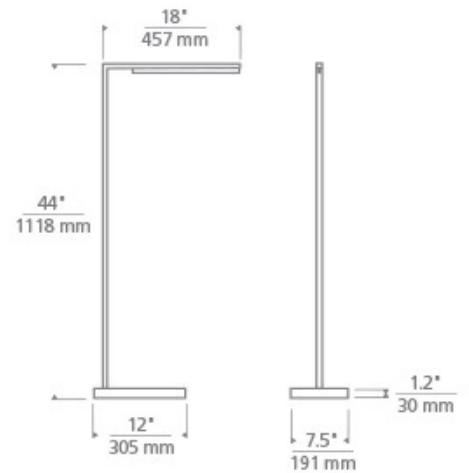
NOTES _____



KLEE 43 FLOOR LAMP

SPECIFICATIONS

HARDWARE MATERIAL	Metal
SHADE MATERIAL	Acrylic
NET WEIGHT	13 lbs
HEIGHT	43in
WIDTH	19.2in
LENGTH	7.5in
WET LISTED	
DAMP LISTED	Yes
DRY LISTED	
GENERAL LISTING	
INCLUDES	



LAMPING SPECIFICATIONS

	LED LAMP	INTEGRATED LED	NON LED	NO LAMP
DELIVERED LUMENS		1075		
WATTS		10.1		
MAX WATTAGE PER BULB		10.1W		
INPUT VOLTAGE		120-240V		
DIMMING TYPE*				
CCT		2700K		
CRI		90 CRI		
LED LIFETIME				
L70				
AVERAGE BULB HOURS		50000		
FIELD SERVICEABLE LED				
LAMP BASE		Integrated LED		
LAMP SHAPE		Integrated LED		
LAMP INCLUDED?		Y		
WARRANTY**		5 Years		

*Dimming information available at www.techlighting.com/Downloads#dimming

** Visit techlighting.com for specific warranty limitations and details.

T20 / T24 INFORMATION

	Integrated LED	Replacement LED Lamp	No Lamp *
This product can be used to comply with California Building Energy Efficiency Standards 2016 Title 24 Part 6.	No		
This product can be used to comply with California Appliance Efficiency Standards 2016 Title 20 and may be shipped to and sold in California.	Yes		

* If a light fixture or component does not include a lamp or light source, it is the responsibility of the customer to select a lamp that meets the T24 and T20 requirements.

