

# DESSAU 46 FLOOR LAMP

## PRODUCT FEATURES

- Inspired by the traditional pharmacy lamp and updated with a modern design housing a slim recessed panel of integrated LED lights.
- Available in two sizes and three modern finishes, Nightshade Black, Polished Nickel and a Natural Brass that will patina over time.
- Designed with integrated warm LED at 2700K Color Temperature
- Fixture includes an integrated 3-step touch dimmer to conveniently achieve your preferred ambiance.
- Includes 6 feet of black cloth cord
- Protected by a 5-year warranty. please visit the "About Us" Page on [techlighting.com](http://techlighting.com) for more for warranty details



Natural Brass



Natural Brass



Nightshade Black

## LAMPING

Includes 120-240 volt 10.7 watts, 430 delivered lumens, 2700K LED module. Built-in three way dimming. Includes 6 feet of black cloth cord.

## ORDERING INFORMATION

700PRTDES SHAPE OR SIZE	FINISH	LAMP
46 46	<b>NB</b> NATURAL BRASS <b>B</b> NIGHTSHADE BLACK <b>N</b> POLISHED NICKEL	-LED927 INTEGRATED LED 90 CRI 3000K 120V

700PRTDES \_\_\_\_\_

JOB NAME \_\_\_\_\_

NOTES \_\_\_\_\_

\_\_\_\_\_

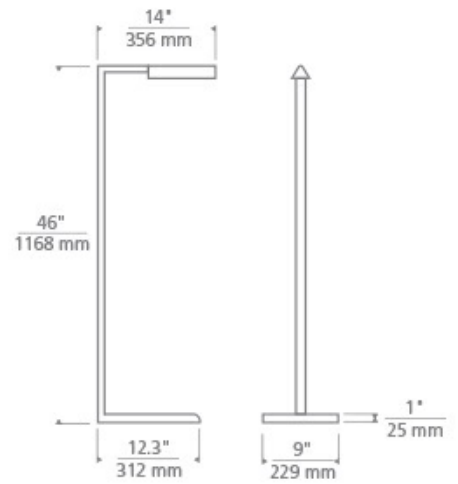
\_\_\_\_\_



# DESSAU 46 FLOOR LAMP

## SPECIFICATIONS

HARDWARE MATERIAL	Metal
SHADE MATERIAL	Metal
NET WEIGHT	4 lbs
HEIGHT	46in
WIDTH	14in
LENGTH	9in
WET LISTED	
DAMP LISTED	Yes
DRY LISTED	
GENERAL LISTING	
INCLUDES	



## LAMPING SPECIFICATIONS

	LED LAMP	INTEGRATED LED	NON LED	NO LAMP
DELIVERED LUMENS		430		
WATTS		10.7		
MAX WATTAGE PER BULB		10.7W		
INPUT VOLTAGE		120-240V		
DIMMING TYPE*				
CCT		2700K		
CRI		90 CRI		
LED LIFETIME				
L70				
AVERAGE BULB HOURS		50000		
FIELD SERVICEABLE LED				
LAMP BASE		Integrated LED		
LAMP SHAPE		Integrated LED		
LAMP INCLUDED?		Y		
WARRANTY**		5 Years		

\*Dimming information available at [www.techlighting.com/Downloads#dimming](http://www.techlighting.com/Downloads#dimming)  
 \*\* Visit [techlighting.com](http://techlighting.com) for specific warranty limitations and details.

## T20 / T24 INFORMATION

	Integrated LED	Replacement LED Lamp	No Lamp *
This product can be used to comply with California Building Energy Efficiency Standards 2016 <b>Title 24</b> Part 6.	No		
This product can be used to comply with California Appliance Efficiency Standards 2016 <b>Title 20</b> and may be shipped to and sold in California.	Yes		

\* If a light fixture or component does not include a lamp or light source, it is the responsibility of the customer to select a lamp that meets the T24 and T20 requirements.

