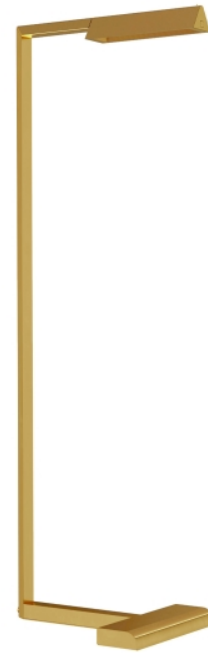


DESSAU 38 FLOOR LAMP

PRODUCT FEATURES

- Inspired by the traditional pharmacy lamp and updated with a modern design housing a slim recessed panel of integrated LED lights.
- Available in two sizes and three modern finishes, Nightshade Black, Polished Nickel and a Natural Brass that will patina over time.
- Designed with integrated warm LED at 2700K Color Temperature
- Fixture includes an integrated 3-step touch dimmer to conveniently achieve your preferred ambiance.
- Includes 6 feet of black cloth cord
- Protected by a 5-year warranty. please visit the "About Us" Page on techlighting.com for more for warranty details



Natural Brass



Natural Brass

LAMPING

Includes 120-240 volt 10.7 watts, 430 delivered lumens, 2700K LED module. Built-in three way dimming. Includes 6 feet of black cloth cord.

ORDERING INFORMATION

700PRTDES SHAPE OR SIZE	FINISH	LAMP
38 38	NB NATURAL BRASS B NIGHTSHADE BLACK N POLISHED NICKEL	-LED927 LED 90 CRI 2700K 120V

700PRTDES _____

JOB NAME _____

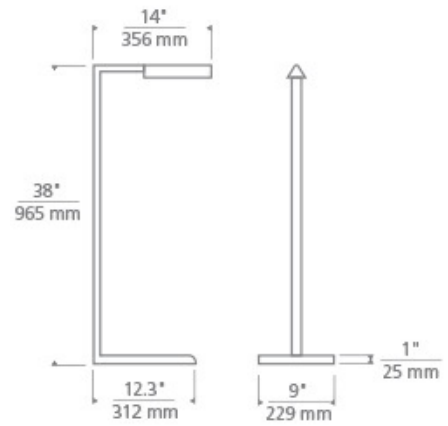
NOTES _____



DESSAU 38 FLOOR LAMP

SPECIFICATIONS

HARDWARE MATERIAL	Metal
SHADE MATERIAL	Metal
NET WEIGHT	3.8 lbs
HEIGHT	38in
WIDTH	14in
LENGTH	9in
WET LISTED	
DAMP LISTED	Yes
DRY LISTED	
GENERAL LISTING	
INCLUDES	



LAMPING SPECIFICATIONS

	LED LAMP	INTEGRATED LED	NON LED	NO LAMP
DELIVERED LUMENS		430		
WATTS		10.7		
MAX WATTAGE PER BULB		10.7W		
INPUT VOLTAGE		120-240V		
DIMMING TYPE*				
CCT		2700K		
CRI		90 CRI		
LED LIFETIME				
L70				
AVERAGE BULB HOURS		50000		
FIELD SERVICEABLE LED				
LAMP BASE		Integrated LED		
LAMP SHAPE		Integrated LED		
LAMP INCLUDED?		Y		
WARRANTY**		5 Years		

* Dimming information available at www.techlighting.com/Downloads#dimming
 ** Visit techlighting.com for specific warranty limitations and details.

T20 / T24 INFORMATION

	Integrated LED	Replacement LED Lamp	No Lamp *
This product can be used to comply with California Building Energy Efficiency Standards 2016 Title 24 Part 6.	No		
This product can be used to comply with California Appliance Efficiency Standards 2016 Title 20 and may be shipped to and sold in California.	Yes		

* If a light fixture or component does not include a lamp or light source, it is the responsibility of the customer to select a lamp that meets the T24 and T20 requirements.

