

# SF15102

Specification Sheet

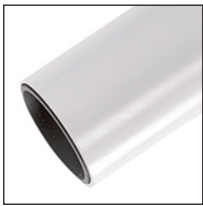
## Semi Flush Mount

PROJECT						
DATE		TYPE				
<b>Voltage</b>	<b>Watt</b>	<b>LED Lumens</b>	<b>Delivered Lumens</b>	<b>Finish(es)</b>	<b>Color Temp</b>	3000K
120V	6W	510lm	300lm*	BK - Black	CRI (Ra)	>90
120V	6W	510lm	300lm*	WH - White	Dimming	Non Dimmable
					Rated Life	50,000 hours

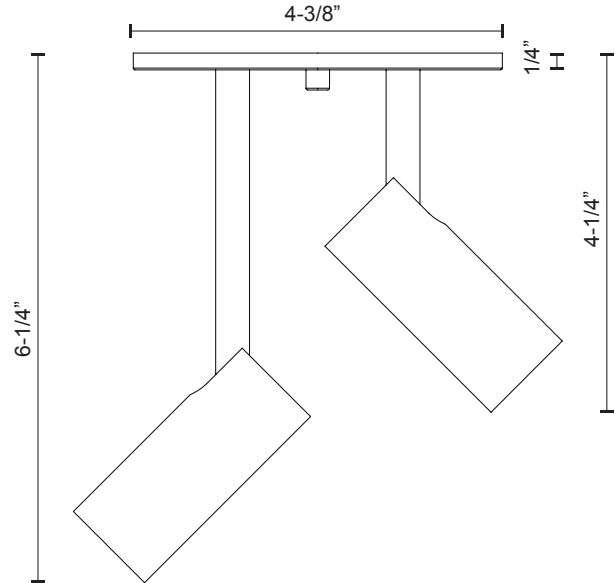
\*Preliminary figures



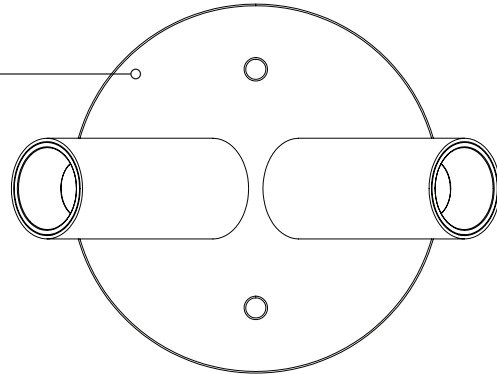
BK - Black



WH - White



Finish  
Bk - Black  
WH - White



### Product Descriptions

Recessed within the minute barrel of the quintessential adjustable lamp is a spot light assembly applied across the X line. By utilizing slim AC LED boards the canopy scale is reduced to a fundamental trim plate and minimizes the visual footprint of the functional fixtures. Available in two petite cylindrical sizes and a single or multi-light configuration.

### Product Details

High system efficacy. Low total life cycle cost. ETL Listed.

5-years warranty.

Complete warranty terms located at:

[www.kuzcolighting.com/warranty](http://www.kuzcolighting.com/warranty)

Utilizes our LED Driver Light Engine.

LED Driver within fixture.

Custom options available.

Canopy Dimensions:  
D4-3/8" x H1/4"

Comments: