

S15518/S15524/S15530

INSTALLATION INSTRUCTIONS SHEET

START FROM HERE

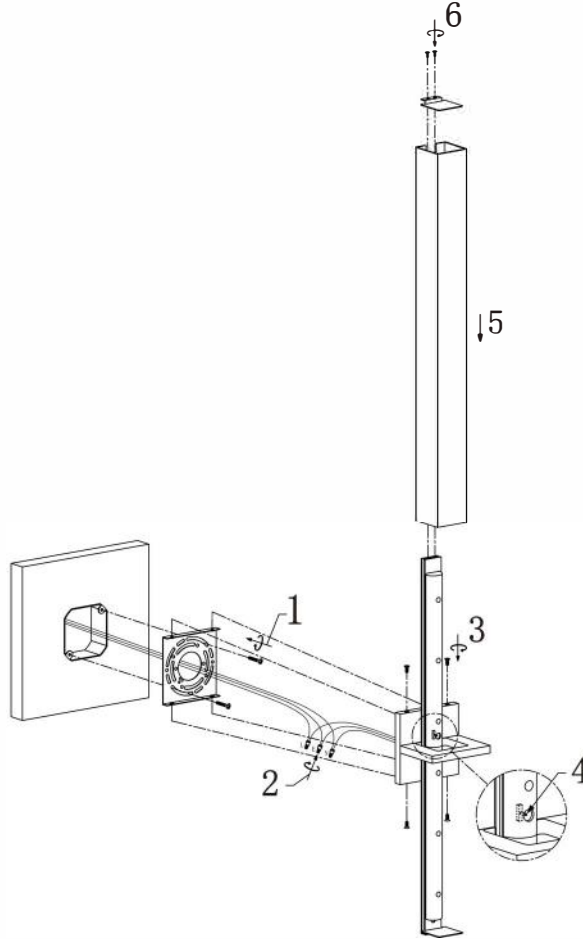
- Make sure power is completely off at the fuse box.
- Have your fixture installed by a qualified licensed electrician
- Prepare everything in clear area.
- Wear gloves at all times during this installation.
- Read instructions carefully before you start assembly.
- Keep this instruction sheet for future reference.

Technical Support: 1-844-628-8368

Please Note:

- All Matteo Lighting fixtures come with pre-wired module(s).
- Unless instructed to do so, please do not touch any part of the module(s) as unnecessary contact with the module could cause permanent damage.

THIS LUMINAIRE MUST BE MOUNTED OR SUPPORTED IN A JUNCTION BOX
CE LUMINAIRE DOIT ÊTRE MONTÉ OU SUPPORTÉ DANS UNE BOÎTE DE JONCTION



- Ensure main supply is switched off
- Use M4 screws to fix the mounting bracket onto junction box(1)
- Connect wires according to colour (White to White, Black to Black). Connect all earth lug together onto the crossbar with green screw to tight(2)
- Use M4 screws to fix the canopy&body onto mounting bracket(3)
- Use the switch on the LED board to select the colour temperature you want(3000K/4000K/5000K optional)(4)
- Insert the glass shade onto the frame(5)
- Use screws to fix the endcaps on both sides of the profile(6)
- Reconnect power
- Lamping: AC LED CRI90, S15518-18W, S15524-24W, S15530-2*16W, triac dimmable, 3000K/4000K/5000K selectable

WARNING:

- This fitting must be earthed.
- Disconnect power and allow fitting to cool down before cleaning or changing the lamp.