

S02924

INSTALLATION INSTRUCTIONS SHEET

START FROM HERE

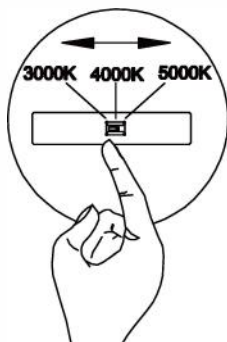
- Make sure power is completely off at the fuse box.
- Have your fixture installed by a qualified licensed electrician
- Prepare everything in clear area.
- Wear gloves at all times during this installation.
- Read instructions carefully before you start assembly.
- Keep this instruction sheet for future reference.

Technical Support: 1-844-628-8368

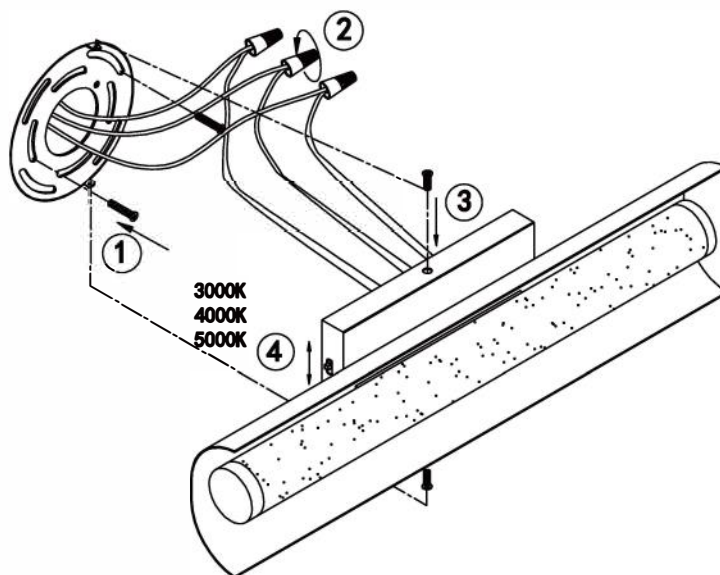
Please Note:

- All Matteo Lighting fixtures come with pre-wired module(s).
- Unless instructed to do so, please do not touch any part of the module(s) as unnecessary contact with the module could cause permanent damage.

THIS LUMINAIRE MUST BE MOUNTED OR SUPPORTED IN A JUNCTION BOX
*CE LUMINAIRE DOIT ÊTRE MONTÉ OU SUPPORTÉ DANS UNE BOÎTE
DE JONCTION*



(Fig.1)



- Ensure main supply is switched off.
- Fit mounting plate onto electrical junction box with screws (1).
- Connect wires (2) according to colour (White to White, Black to Black), connect all earth lug together onto the crossbar with green screw to tight .
- Fit canopy onto mounting plate with canopy screws (3).
- Reconnect power.
- Light source: AC LED 24W, dimmable, 3CCT: 3000K, 4000K, 5000K, CRI90.
- 3CCT user guide: a) make sure the main supply is switched off before changing the color temperature; b) push the switch button to change between three colour temperatures (3000K-4000K-5000K). (see Fig.1)

WARNING:

- This fitting must be earthed.
- Disconnect power and allow fitting to cool down before cleaning or changing the lamp.