

## General Product Information

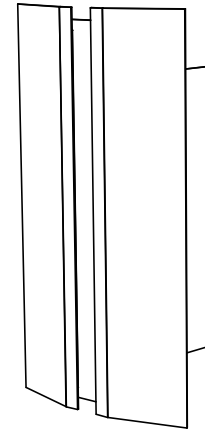
This product is suitable for wet locations.

Damage due to incorrect connections can be detected at the factory and is not covered under warranty.

### CAUTION - RISK OF FIRE

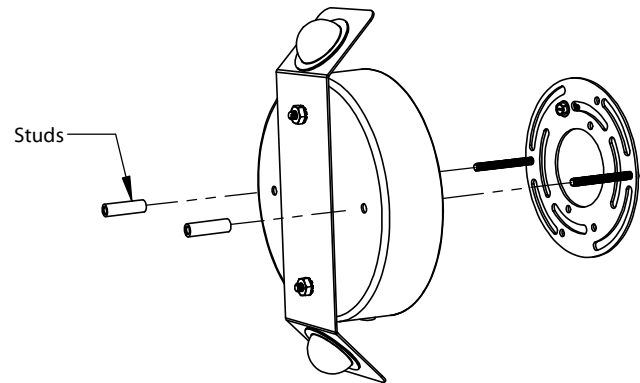
This product requires installation by a qualified electrician. Before installing be sure to read all instructions and **TURN POWER OFF TO THE JUNCTION BOX**

**Junction Box Requirements:** This fixture can be mounted to most standard junction boxes. It is the installer's responsibility to ensure that the site conditions, junction box, and fasteners used are suitable to support the weight of the fixture.



## Removing Mounting Plate from Canopy

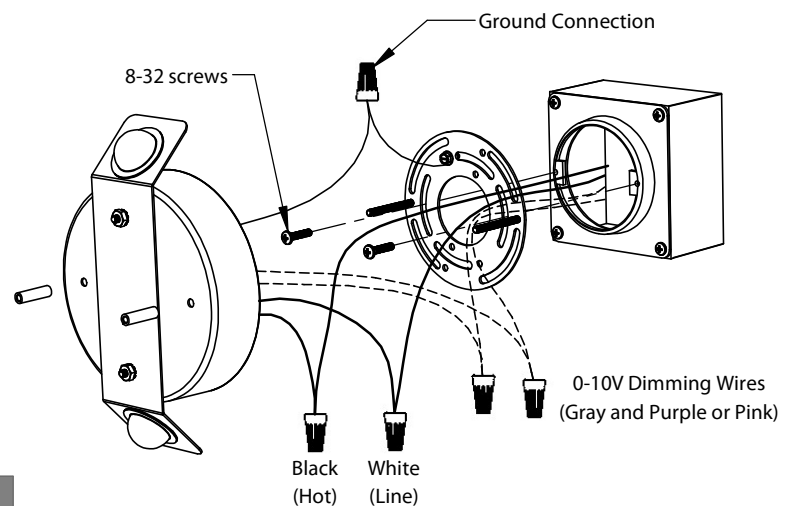
- 1 Remove the mounting plate from the canopy by unscrewing the studs.



## Wiring Canopy

- 2 Attach the mounting plate to the junction box using the provided 8-32 screws.
- 3 Connect the fixture to ground accounting to local electrical codes.
- 4 Pull the line voltage wires through the center hole in the mounting plate. Use wire nuts to make connections between the line voltage wires and the driver. Tuck wire nuts into the junction box.

(OPTIONAL) If 0-10V dimming control is to be used, connect the purple and gray (or pink) LED driver leads to the leads from the remote 0-10V dimmer.



### CRITICAL NOTE

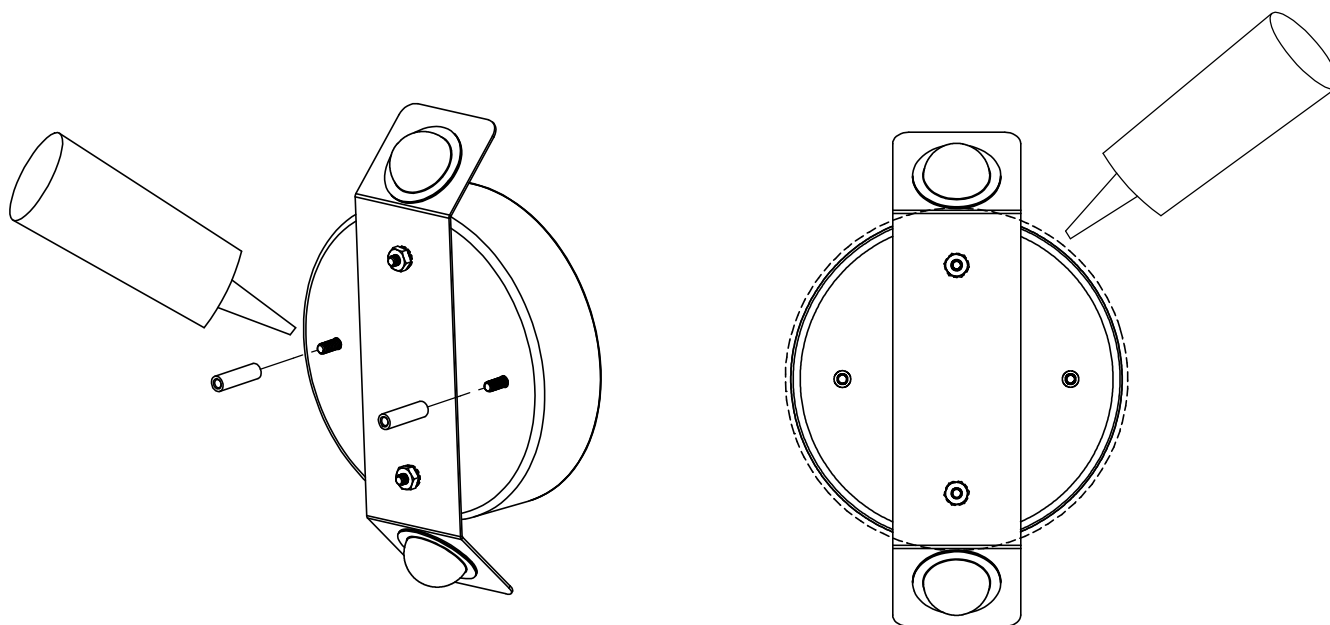
If 0-10V dimming is not being used, the tinned ends of the purple and gray (or pink) LED driver leads should be snipped off and these leads should be capped individually such that they remain isolated from one another.



## Attaching Canopy to Wall

(NOTE) Steps 5 and 6 are necessary for installation in wet locations.

- ⑤ Attach the canopy to the wall with the provided studs. Ensure that the canopy is in the correct orientation by having the canopy pointed in the direction of the arrow on the label. Use weather proof sealant under the stand-offs when securing the canopy.
- ⑥ Use the weather proof sealant along the interface where the canopy meets with the wall. Apply the sealant around the canopy indicated by the dashed lines in the figure. Leave a small 1" length portion underneath the canopy without sealant.



## Attaching Shade onto Canopy

- ⑦ Locate the mounting bar on the shade. Align the studs on the canopy with the holes on the mounting bar.
- ⑧ Use a screwdriver to tighten the screws located above and below the mounting block to secure the shade on the canopy.

