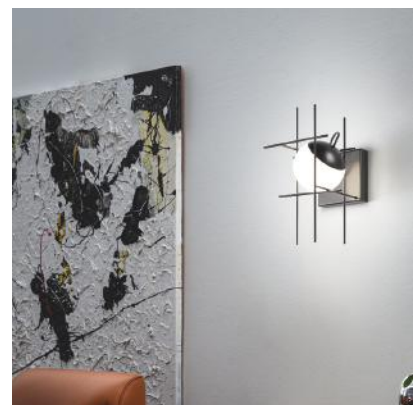


PLOT FRAME

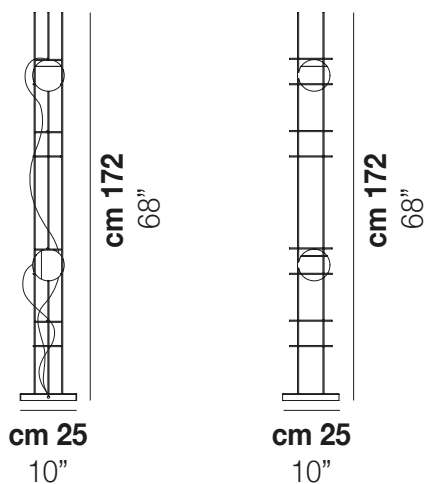
Design Chiaramonte & Marin

PLOT FRAME PT 2



The inspiration behind Plot Frame is to render the motion and simplicity of a sphere. A metal weave where luminescent glass spheres are almost free to move, allowing the user to interact with the object. Matt black frame. LED light source.

PLOT FRAME PT 2



TECHNICAL DATA:



LED 2700K DIM4
2x12,5W 220-240 V
50/60 Hz

LED 3000K DIM4
2x12,5W 220-240 V
50/60 Hz

CERTIFICATIONS:



Led 2700 K 12,5 W 25 V 1700 lm DIM4 Push

Led 3000 K 12,5 W 25 V 1700 lm DIM4 Push

VOLUME Mc 0,31

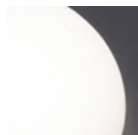
GROSS WEIGHT Kg 17

NET WEIGHT Kg 10

[download](#)



SHADE FINISHING



BCLU

FRAME FINISHING



NEO