

# PD61418

Specification Sheet

## Pendant Lamp



VB - Vintage brass

Other Finishes:



BN - Brushed Nickel

### Product Descriptions

Geometric lines and organic curves comes together as the metal frame is embraced by the glass shade's cool contours. In a kinetic illusion, the light source appears to float from within.

### Product Details

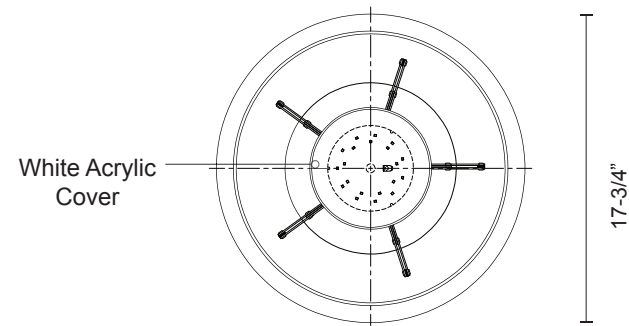
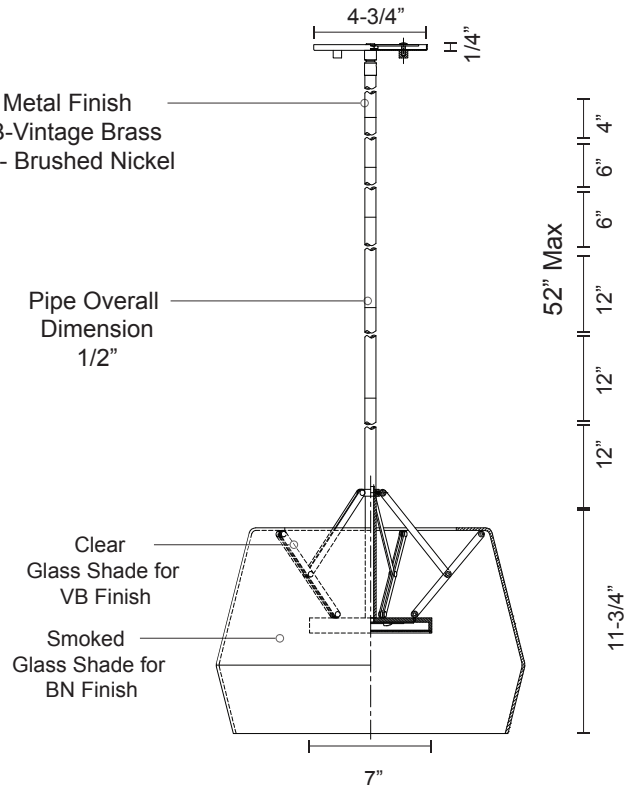
- High system efficacy
- Low total life cycle cost
- No visible flicker AC operation
- ETL Listed
- 5-year LED warranty and 1-year fixture warranty.
- Complete warranty terms located at: [www.kuzcolighting.com/warranty](http://www.kuzcolighting.com/warranty)
- Utilizes our patented Driverless LED Light Engine technology - connects directly to AC, no external driver needed.
- Available in vintage brass and brushed nickel finish. Custom clear glass shade for VB and Smoked glass for BN. Min hang height 4".
- White acrylic cover.
- Comes with interior wiring
- Dimmable with ELV dimmer (not included)
- Custom options available

Fixture Weight:

Canopy dimensions:  
D: 4-3/4" H: 1/4"

PROJECT						V 1.0
DATE				TYPE		
<b>Voltage</b>	<b>Watt</b>	<b>LED Lumens</b>	<b>Delivered Lumens</b>	<b>Finish(es)</b>		<b>Color Temp</b> 3000K
120V	29W*	2500lm*	TBD	VB - Vintage Brass		<b>CRI (Ra)</b> >90
120V	29W*	2500lm*	TBD	BN - Brushed Nickel		<b>Dimming</b> 100% - 10%
						<b>Rated Life</b> 50,000 hours

\*Preliminary figures



Comments: