

PD61412

Specification Sheet

Pendant Lamp



VB - Vintage brass

Other Finishes:



BN - Brushed Nickel

Product Descriptions

Geometric lines and organic curves comes together as the metal frame is embraced by the glass shade's cool contours. In a kinetic illusion, the light source appears to float from within.

Product Details

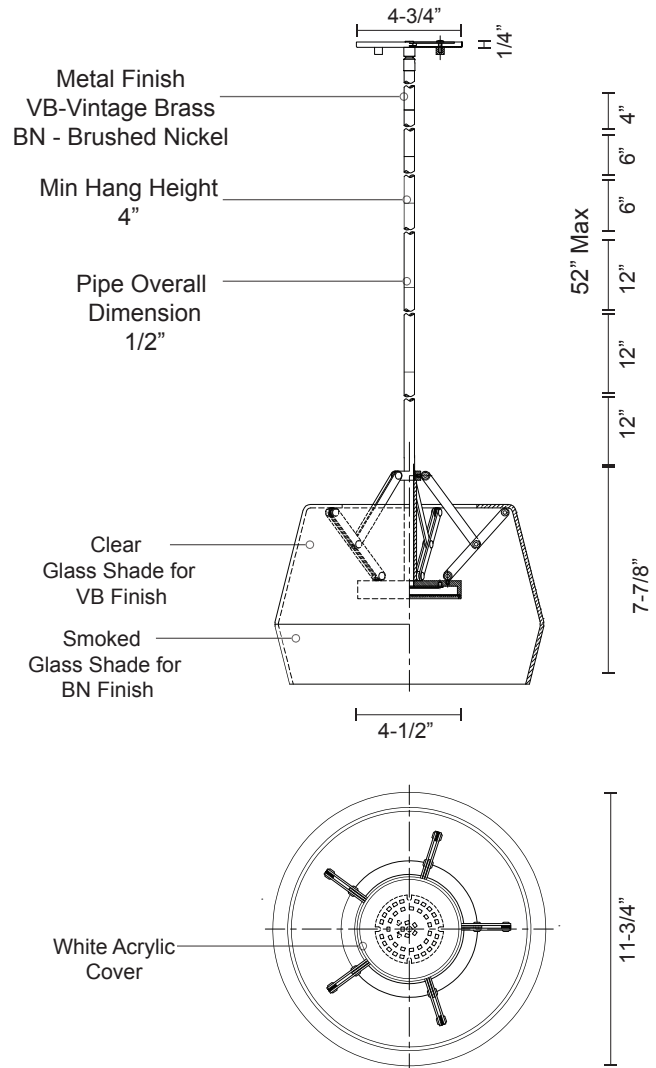
- High system efficacy
- Low total life cycle cost
- No visible flicker AC operation
- ETL Listed
- 5-year LED warranty and 1-year fixture warranty.
- Complete warranty terms located at: www.kuzcolighting.com/warranty
- Utilizes our patented Driverless LED Light Engine technology - connects directly to AC, no external driver needed.
- Available in vintage brass and brushed nickel finish. Custom clear glass shade for VB and Smoked glass for BN. Min hang height 4".
- White acrylic cover.
- Comes with interior wiring
- Dimmable with ELV dimmer (not included)
- Custom options available

Fixture Weight:

Canopy dimensions:
D: 4-3/4" H: 1/4"

PROJECT						V 1.0
DATE						TYPE
Voltage	Watt	LED Lumens	Delivered Lumens	Finish(es)		
120V	14.5W*	1200lm*	TBD	VB - Vintage Brass		Color Temp 3000K
120V	14.5W*	1200lm*	TBD	BN - Brushed Nickel		CRI (Ra) >90
						Dimming 100% - 10%
						Rated Life 50,000 hours

*Preliminary figures



Comments: