

# ARCADIA PD59708

## PENDANTS

PROJECT



PD59708-BG/OP  
Brushed Gold/Opal  
Glass



PD59708-BK/SM  
Black/Smoked



PD59708-BK/OP  
Black/Opal Glass

### SPECIFICATION DETAILS

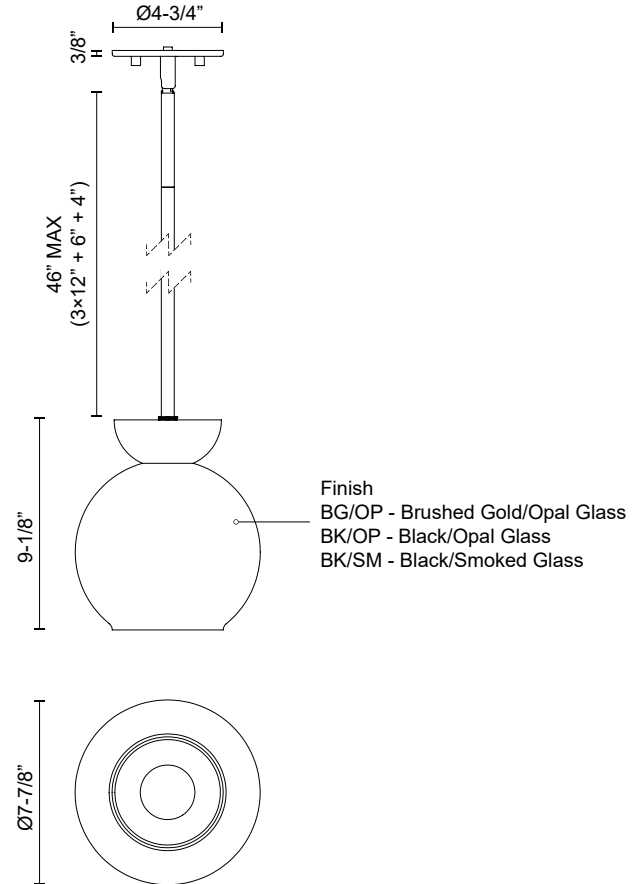
<b>Fixture Dimensions</b>	D7-7/8" x H9-1/8"
<b>Lamp Type</b>	Incandescent, A19, Medium Base
<b>Wattage</b>	1 x 60W
<b>Voltage</b>	120V
<b>Glass Details</b>	Opal Glass or Smoked Glass
<b>Adjustable</b>	Yes
<b>Rod Length</b>	46" Max (3x12" + 1x6" + 1x4")
<b>Minimum Hang Height</b>	16"
<b>Sloped Ceiling Adaptable</b>	Yes, Up to 45 Degrees
<b>Location</b>	Dry
<b>Bulbs Included</b>	No
<b>Illumination Direction</b>	Down
<b>Canopy Dimensions</b>	D4-3/4" x H3/8"

\* For custom options, consult factory for details.

\* For warranty information, please visit [www.kuzcolighting.com/warranty](http://www.kuzcolighting.com/warranty)

### DESCRIPTION

The Arcadia Collection offers a trendy lighting design without all the frills. Depending on what style you're looking to achieve, the elegant sphere shades are available in soft, pleasant opal, or dramatic smoked glass. Each piece of the Arcadia family is available in a Powder-Coated Black or Brushed Gold finish



# KUZCO

19054 28TH AVENUE  
SURREY - BC V3Z 6M3  
CANADA

[WWW.KUZCOLIGHTING.COM](http://WWW.KUZCOLIGHTING.COM)

### COMMENT

