

This product is suitable for indoor dry locations only.



CAUTION - RISK OF FIRE

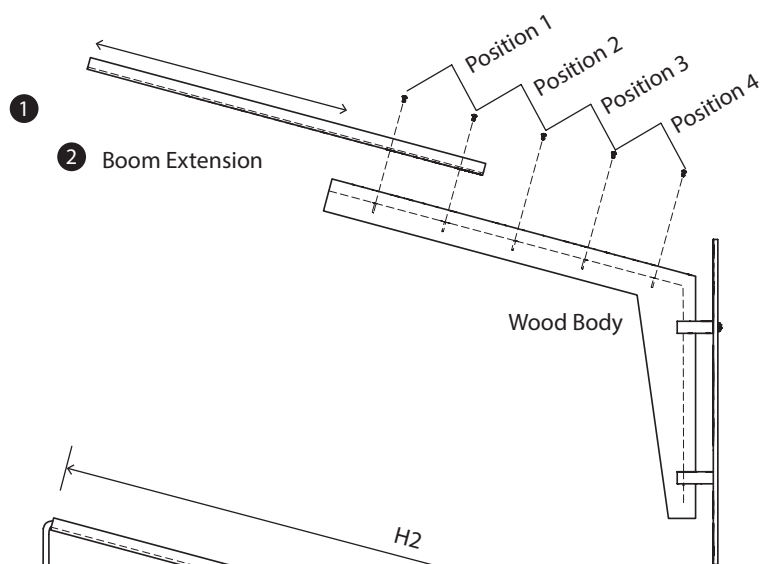
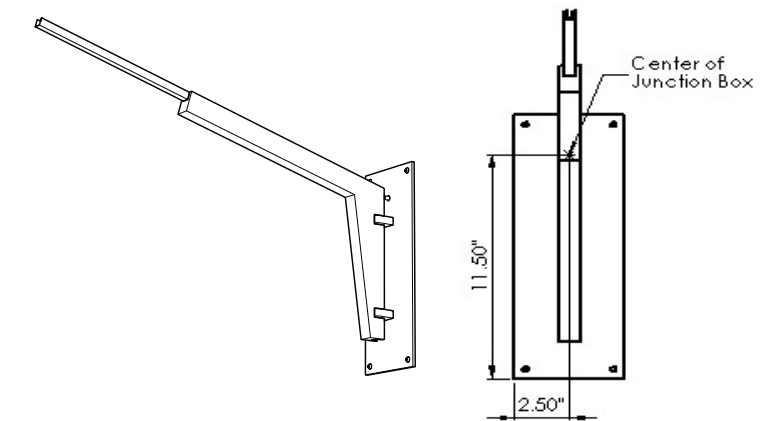
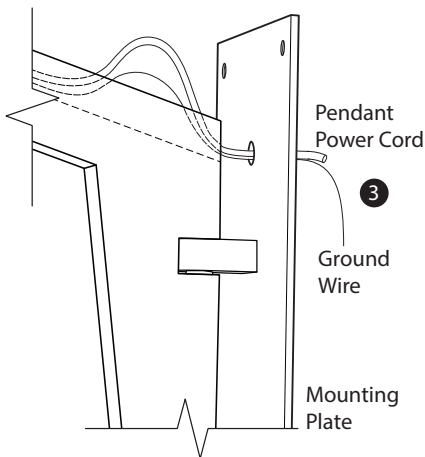
This product requires installation by a qualified electrician. Before installing, be sure to read all instructions and TURN OFF POWER.

Read Before Installing

- 1 Read the installation instructions entirely for this bracket and the accompanying pendant.

Adjusting the Fixture Height

- 2 Adjust the boom extension to the desired length (positions 1, 2, 3 or 4) and secure with (2x) #4 screws.
- 3 Thread the power cord of the accompanying pendant through the mounting plate wire hole.
- 4 Determine the total cord length from the top of the shade to the strain relief or cord knot by combining the heights H1 and H2 and adding 2". Place the strain relief or cord knot here, and cut the excess cord (and ground wire if applicable) as needed.

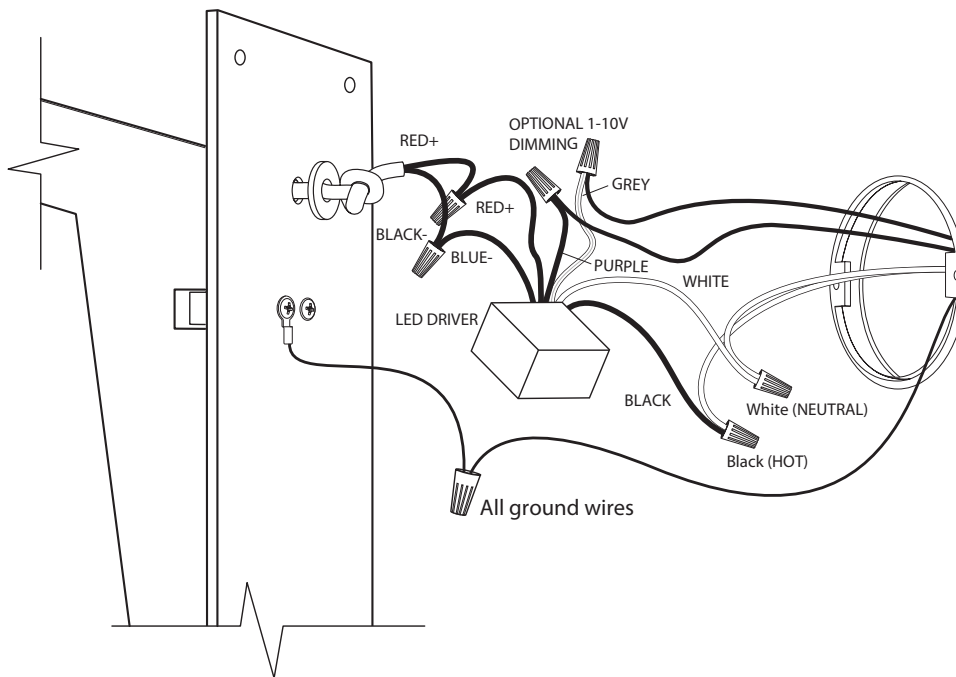


The Motus Swing Arm Bracket does not include a pendant. Compatible pendants sold separately. See Motus Swing Arm Pendant Tear Sheet for more details.

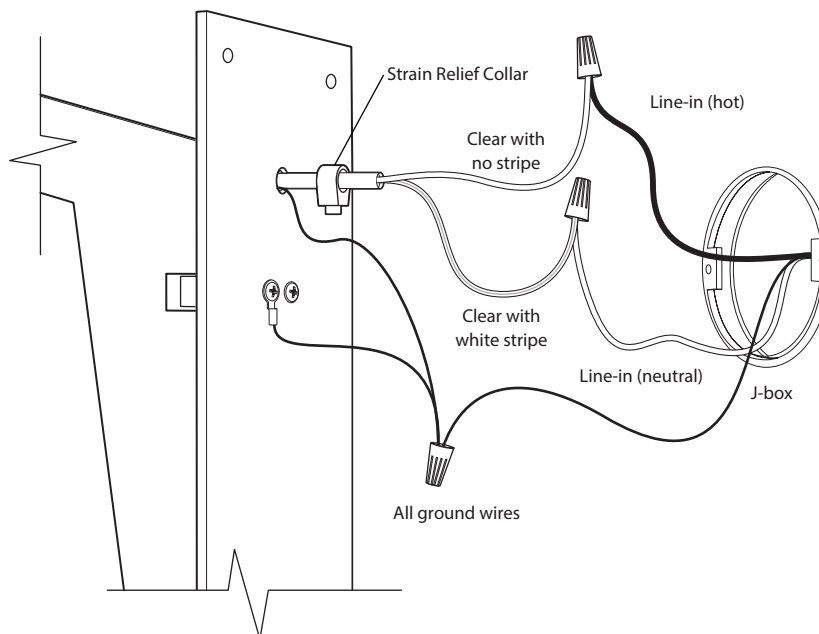
* When installing a low voltage LED pendant, you will use the provided washer and tie a knot in the cord at this location for desired drop length. When installing a socketed pendant you will set your provided strain relief collar here for desired drop length.

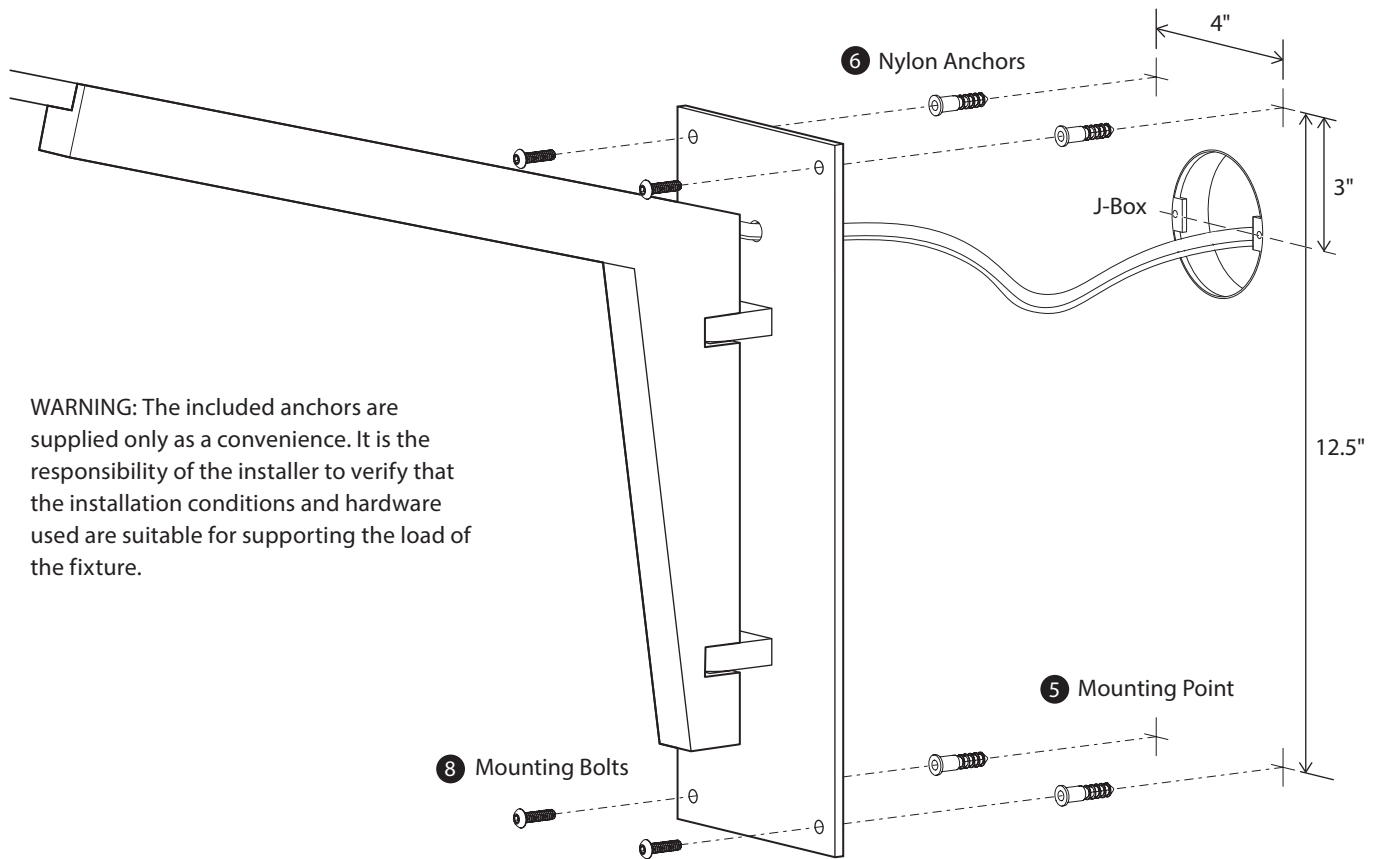
See following page for additional information

Motus Swing Arm Bracket with Low Voltage LED Pendants



Motus Swing Arm Bracket with Socketed Pendant (line voltage fixture)





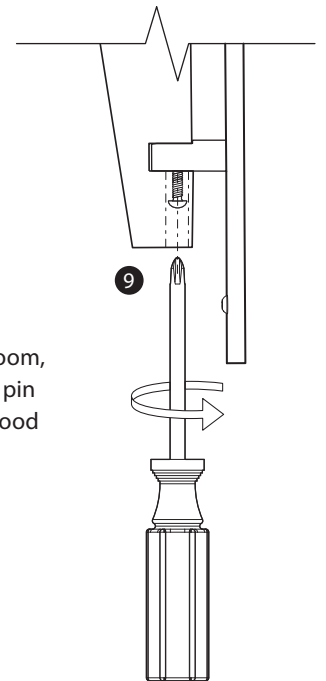
WARNING: The included anchors are supplied only as a convenience. It is the responsibility of the installer to verify that the installation conditions and hardware used are suitable for supporting the load of the fixture.

Mounting the Fixture

- 5 Use the fixture cover as a template at the desired location and confirm that the fixture is leveled. Mark the mounting hole locations and then remove the template.
- 6 Install (4x) nylon anchors to the wall at the mounting points by using a 1/4" pilot drill.
- 7 Before mounting the bracket, locate the "Making the Electrical Connections" section on the installation instructions of the accompanying pendant. Complete all of the electrical connections as instructed. Place all excess wiring into the J-box prior to mounting the bracket.
- 8 Mount the bracket to the wall using the (4x) mounting bolts and the provided allen wrench.

Adjusting the Fixture

- 9 To secure the orientation of the boom, tighten the #6 screw on the hinge pin located on the underside of the wood body.



Important Note!

This fixture comes with a universal driver that can operate within an input voltage range of 120 and 277 V AC. See the table below to understand which types of dimming are available for a particular input voltage.

Input Voltage	Dimming Type
120	Triac, ELV, and 0-10V
240	0-10V only
277	0-10V only

The purple and grey leads exiting from the LED driver are there to enable dimming of the fixture through the use of a compatible 0-10V dimmer. If the fixture is to be dimmed using a 0-10V dimmer, follow the wiring instructions provided with the dimmer.

If the fixture is NOT to be dimmed using a 0-10V dimmer, the tinned ends of these leads should be snipped off and the leads should be capped individually such that they remain isolated from one another.

The wiring diagram below only applies if the fixture is to be controlled by a 0-10V dimmer.

